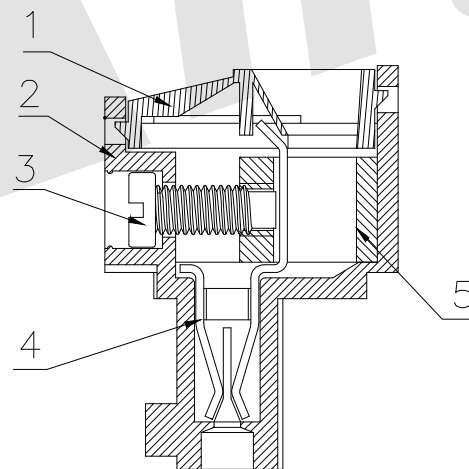
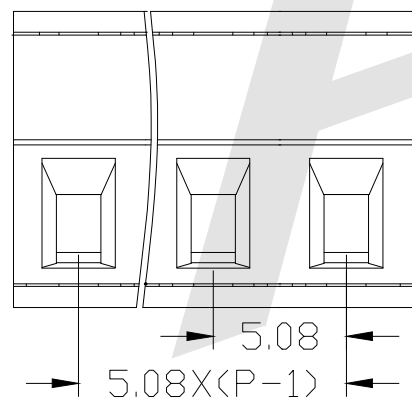
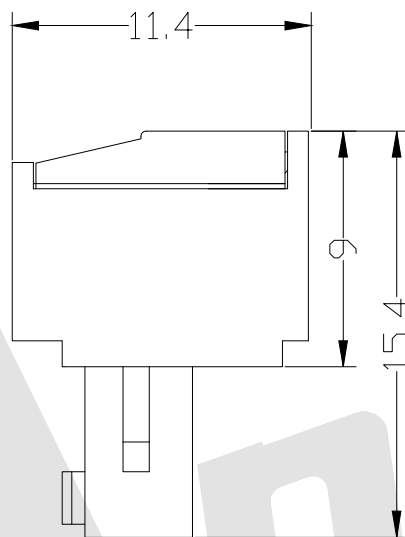
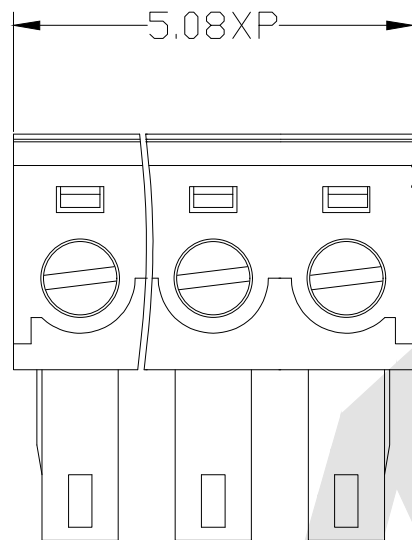


HSF



No.	Item	Material
1	Cover	Pa66 UL94-V0
2	Cover	Pa66 UL94-V0
3	Screw	M2,Steel,Zinc Plated
4	Terminal	Phosphor Bronze,Nickel Plated
5	Copper block	Brass,Nickel Plated



Note
 Poles: P=(2P~12P)
 Pitch: 5.08mm
 Use and Performance
 Rated voltage: 300V
 Rated current: 8A
 Withstanding voltage: AC2000V/Min
 Ambient temperature: - 40°C~+105°C

AT2500F - 5.08 - XX - X - K

Pitch: 5.08: 5.08mm
 Poles: 02: 2 Contacts
 03: 3 Contacts

 12: 12 Contacts
 Insulator color:
 A: Green
 B: Blue
 C: Black
 G: Gray
 O: Orange
 K: Series number

Unless Otherwise specified tolerance
 X.±0.35 X.XX:±0.20
 X.X:±0.25 X.XXX:±0.15

SCALE: As Shown UNIT: mm
 DRAW: yin chao DATE: 2026/4/3
 CHECK: BobYang DATE: 2026/4/3

VER./版本号 3rd ANGLE PROJECTION

Antenk ANTENK ELECTRONICS CO.,LTD
 Http://www.antenk.com
 E-mail:sales@antenk.com

TITLE:
 5.08mm Pitch Plug-in Terminal Block
 DRAWING NO: AT2500F-5.08-14-A-A-AB
 PRODUCT NO: AT2500F-5.08-14-A-A-AB

MK/标记

DESCRIPTION/修订内容

DATE/日期(M/D/Y)