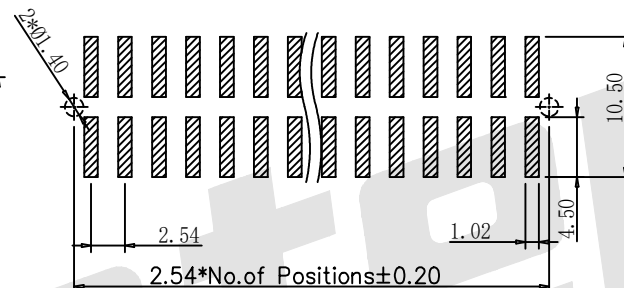
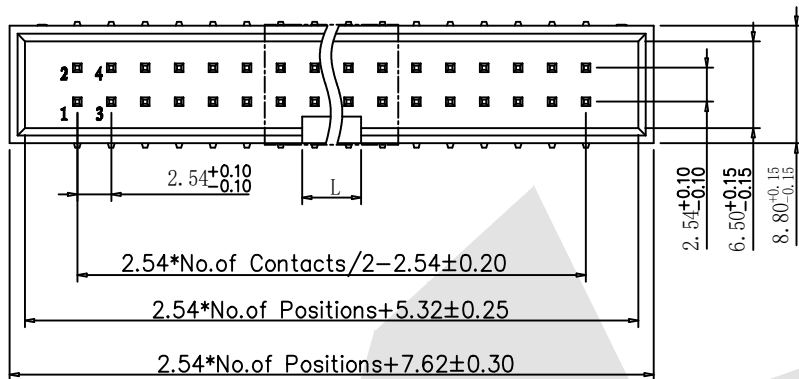




SPECIFICATION

Current Rating: 3.0Amp
 Insulation Resistance: 1000MΩ min
 Contact Resistance: 20MΩ max
 Withstand Voltage: 500V AC/DC
 Operating Temperature: -40°C to +105°C
 Contact Material: Brass
 Contact Plating: Au or Sn Over Ni
 Insulator Material: PA6T UL 94V-0

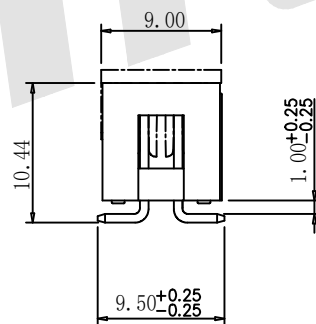
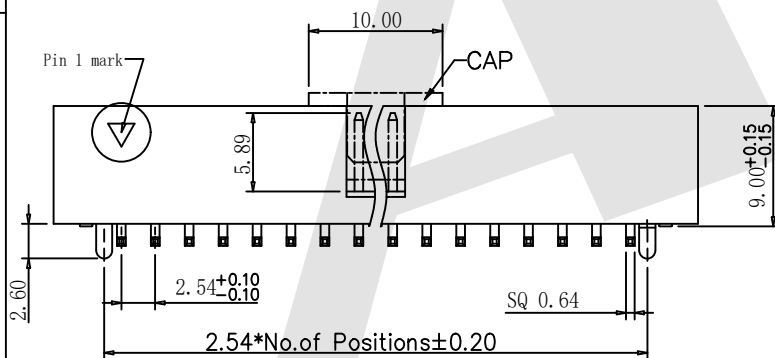
Recommended P. C. B Layout (Top Side)
 (PCB BOARD TOLERANCE ±0.05)



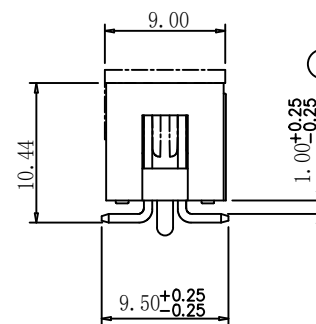
Ordering Code:

BHDM01 - X - X - X - X - X - X
 ① ② ③ ④ ⑤ ⑥ ⑦

- ① Series No:
06 08 10 12 14 16 18
20 22 24 26 28 30 32
34 36 40 44 48 50 60
64
- ② No. of Contacts
- ③ Contact Plating:
G0:Gold flash S0:Selective
G1:3u" Gold S1:Selective 3u"
G2:5u" Gold S2:Selective 5u"
G3:10u" Gold S3:Selective 10u"
G4:15u" Gold S4:Selective 15u"
G5:30u" Gold S5:Selective 30u"
SN:Tin
- ④ Color Insulator
B:Black
U:Blue
G:Gray
- ⑤ Insulator Material
B:PA6T
C:LCP
E:PA9T
- ⑥ Packing
A:Tray
B:Bag
T:Tube
U:Tube+CAP
R:Tape&Reel
W:Tape&Reel+CAP
- ⑦ With locating pegs option
A:Type A without pegs
B:Type B with pegs



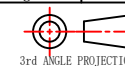
A=TYPE A



B=TYPE B

Unless Otherwise specified tolerance
 X. ±0.35 X.XX:±0.20
 X.X:±0.25 X.XXX:±0.15

SCALE: As Shown UNIT: mm
 DRAW YIN CHAO DATE 2026/4/3
 CHECK BobYang DATE 2026/4/3



ANTENK ELECTRONICS CO., LTD
 Http://www.antenk.com
 E-mail:sales@antenk.com

TITLE: 2.54mm Box Header SMT H=9.0
 (with or without Post)

DRAWING NO: BHDM01-10-G0BBWA
 PRODUCT NO: BHDM01-10-G0BBWA

REV	DESCRIPTION	DATE
1		
2		
3		
4		
5		