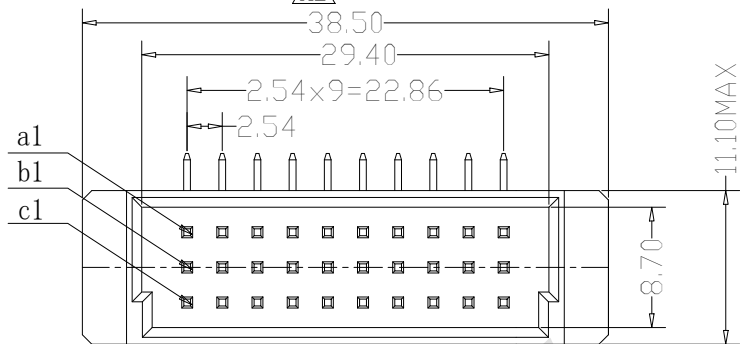




RoHS



| Code | Number Of Contacts | Contact Arrangement | Rows With Contacts | Pitch |
|------|--------------------|---------------------|--------------------|-------|
| A | 10 | | a | 2.54 |
| D1 | | | a c | 5.08 |
| F1 | 16 | | a b c | 2.54 |
| C | 20 | | a b | |
| D | | | a c | |
| F | 30 | | a b c | |

SPECIFICATION

Current Rating: 2.0Amp
 Insulation Resistance: 1000MΩ min.at DC 100V
 Contact Resistance: 20mΩ max
 Withstand Voltage: AC 1000V For 1 Minute
 Operating Temperature: -55° C to +105° C
 Contact Material: Brass
 Contact Plating: Au or Sn Over Ni
 Insulator Material: PBT+30%GF UL 94V-0
 Insertion Force: 30 pin max.28N
 Withdrawal Force: 0.15N min.per individual contact

Ordering Code:

DMR - XX - X - X - X - 317 - X $\triangle A3$
 ① ② ③ ④ ⑤ ⑥ ⑦

① Series No:

② No. of Contacts
10P 15P 20p 30p

③ Termination
 B:Right tail length H=3.0mm
 F:Right tail length H=4.4mm
 M:Right tail length H=13.0mm

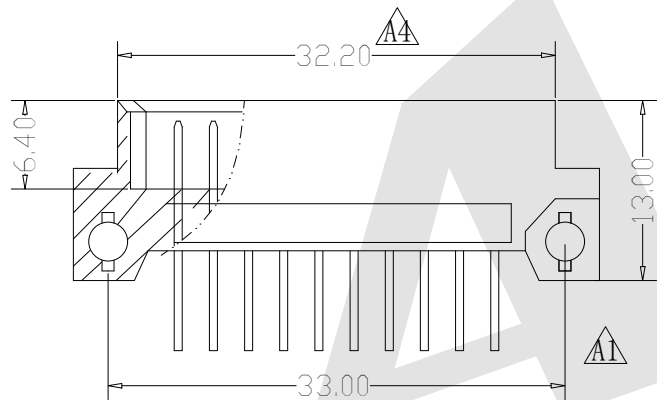
④ Rows Loaded With Contacts
 A:Row a D1:Row a+c(2,4,6...)
 F1:Row a+b+c(2,4,6...)
 C:Row a+b
 D:Row a+c
 F:Row a+b+c

⑤ Contact Plating

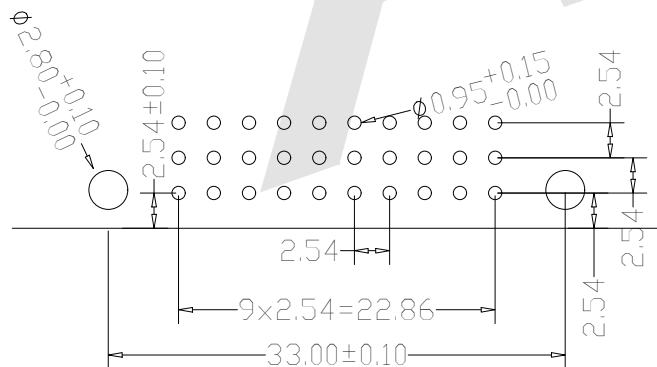
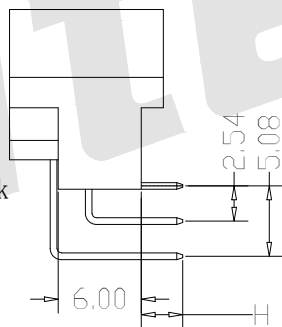
G0: Gold flash
 S0: Gold flash/Ni
 G1: 3u" Gold
 S1: 3u" Gold/Ni
 G2: 5u" Gold
 S2: 5u" Gold/Ni
 G3: 10u" Gold
 S3: 10u" Gold/Ni
 G4: 15u" Gold
 S4: 15u" Gold/Ni
 G5: 30u" Gold
 S5: 30u" Gold/Ni
 SN: Tin

⑥ Series number
317

⑦ Board Lock
 (Blank):Without Fork
 L:With Fork

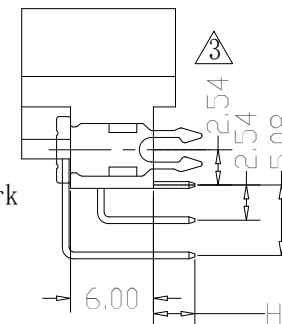


Without Fork



Recommended P. C. B. Layout

With Fork



Unless Otherwise specified tolerance
 X. ±0.35 X.XX:±0.20
 X.X:±0.25 X.XXX:±0.15



ANTENK ELECTRONICS CO., LTD
 Http://www.antenk.com
 E-mail:sales@antenk.com

| | |
|--------------------------|--------------------|
| SCALE: As Shown | UNIT: mm |
| DRAW Wu Feng Rong | DATE 16/11/2018 |
| CHECK BobYang | DATE 16/11/2018 |
| 3rd ANGLE PROJECTION | |

TITLE: DIN41612 Right Angle Plug Type 1/3C
 Connector 30 Positions

DRAWING NO: DMR-XX-XXX-317
 PRODUCT NO: DMR-XX-XXX-317

| REV | DESCRIPTION | DATE |
|----------------|----------------------------|------------|
| $\triangle A4$ | Change 31.62 to 32.20 | 10/10/2023 |
| $\triangle A3$ | Add fork remark | 13/04/2022 |
| $\triangle A2$ | Change 38.00MAX to 38.50MM | 12/10/2020 |
| $\triangle A1$ | 2.5MM TO 2.8MM | 08/09/2020 |