

| REV. | DESCRIPTION | ECN NO. | NAME | DATE |
|------|-------------|---------|------|------|
| | | | | |

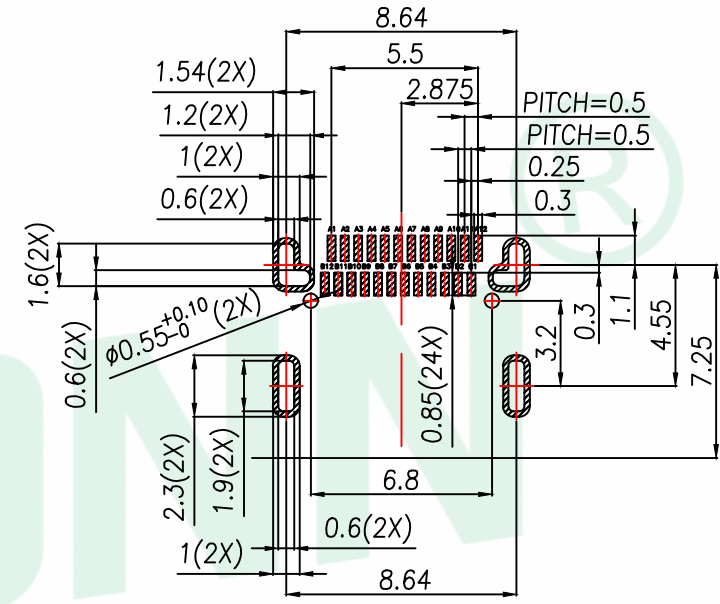
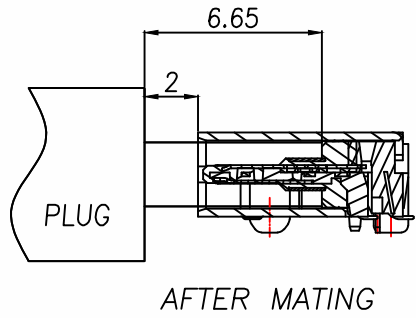
NOTE:

- 1.MATERIAL SPECIFICATION:
 - 1.HOUSING:HIGH TEMPERATURE RESISTANT PLASTIC,UL94 V-0.
 - 2.CONTACTS:COPPER ALLOY
 - 3.MID PLATE: STAINLESS STEEL
 - 4.FRONT SHELL: STAINLESS STEEL
 - 5.EMI PLATE: STAINLESS STEEL
- 2.PLATING SPECIFICATION:
 - 2-1.CONTACTS:
 - Ni 50u" MIN. UNDER PLATED OVER ALL.
 - Au PLATED ON THE FUNCTIONAL AREA OF CONTACT.
 - CONTACT FUNCTIONAL AREA PLATED : Au G/F
 - CONTACT SOLDER AREA PLATED : Au G/F
 - 2-2.FRONT SHELL:
 - Ni 30u" MIN. UNDER PLATED OVER ALL.
 - 2-3.MID PLATE:
 - Ni 30u" MIN. UNDER PLATED OVER ALL.
 - Sn 80u"MIN. PLATED OVER ALL
 - 2-4.EMI PLATE:
 - CLEAR ONLY
- 3.MECHANICAL PERFORMANCE,
 - 3-1.INSERTION FORCE: 0.5~2.0kgf.
 - 3-2.REMOVAL FORCE: 0.8kgf~2.0kgf.
 - 3-3.DURABILITY: 10000 CYCLES.
- 4.ELECTRICAL PERFORMANCE,
 - 4-1. CURRENT RATING:5.0A
VOLTAGE RATING:30V
 - 4-2. LLCR:
 - VBUS & GND PINS AND OTHER PINS: 40mA/PIN MAX.
 - SHIELD: 50mA/MAX.
 - LLCR MAX. CHANGE OF ALL PINS: 10mA.
 - 4-3.INSULATION RESISTANCE: 100MΩ MIN
 - 4-4.DIELECTRIC WITHSTAND VOLTAGE,AC 100V FOR 1 MINUTE.
5. ENVIRONMENTAL PERFORMANCE:
 - OPERATING TEMPERATURE: -40°C~+85°C.
- 6.IR REFLOW:
 - THE PEAK TEMPERATURE ON THE BOARD SHALL BE MAINTAINED FOR 10 SECONDS AT 260°C.

| | | | | | |
|-------------------|-------|--|--|----------------|--|
| GENERAL TOLERANCE | | DONGGUAN BAOXUN PRECISION TECHNOLOGY CO., LTD | | | |
| DIM. | TOL. | TITLE: USB CF 24PIN SMT TYPE TOP MOUNT WITH POST | | | |
| x. | ±0.30 | DWG. NO.: TYPE-C-24P-Q5A | | CHECKED: MAX | |
| x.x | ±0.20 | PART NO.: TYPE-C-24P-Q5A | | DRAWN: ELLA | |
| x.xx | ±0.10 | UNIT: mm | | SCALE: none | |
| GENERAL ANGLE: | | SHEET: 1 of 1 | | DWG. SIZE: A4 | |
| x.° | ±10° | LAYER: bxconn | | APPROVED: WILL | |
| x.x' | ±8' | | | | |
| x.xx' | ±5' | | | | |



| REV. | DESCRIPTION | ECN NO. | NAME | DATE |
|------|-------------|---------|------|------|
| | | | | |

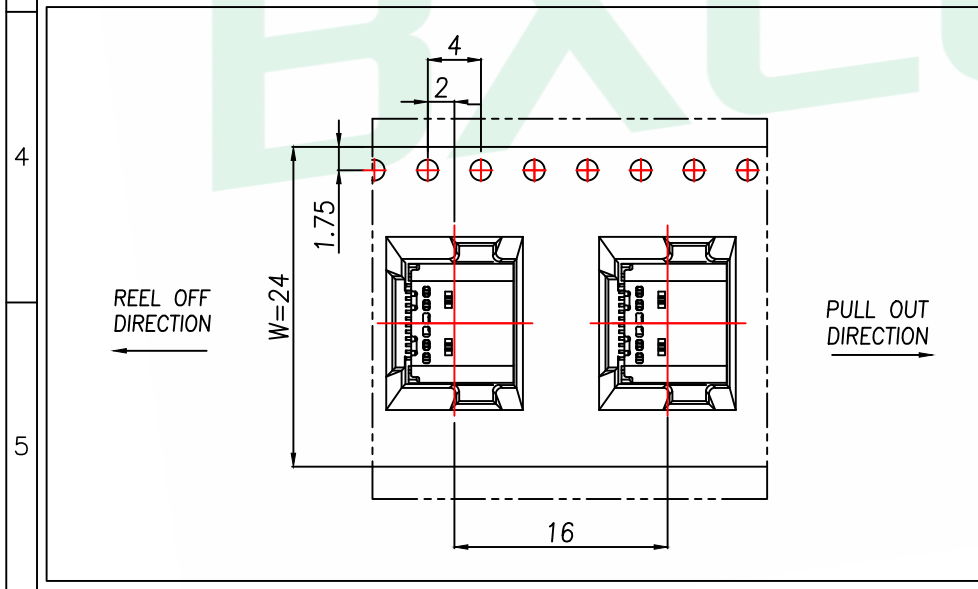
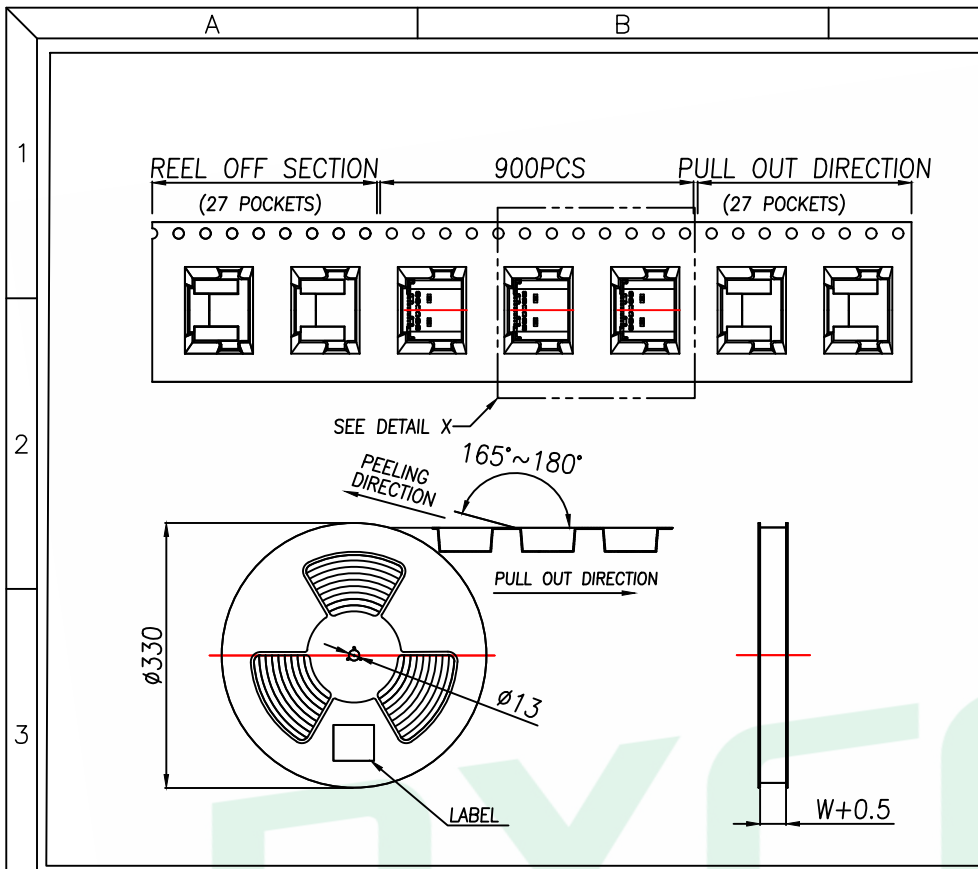


USB TYPE-C PIN ASSIGNMENTS

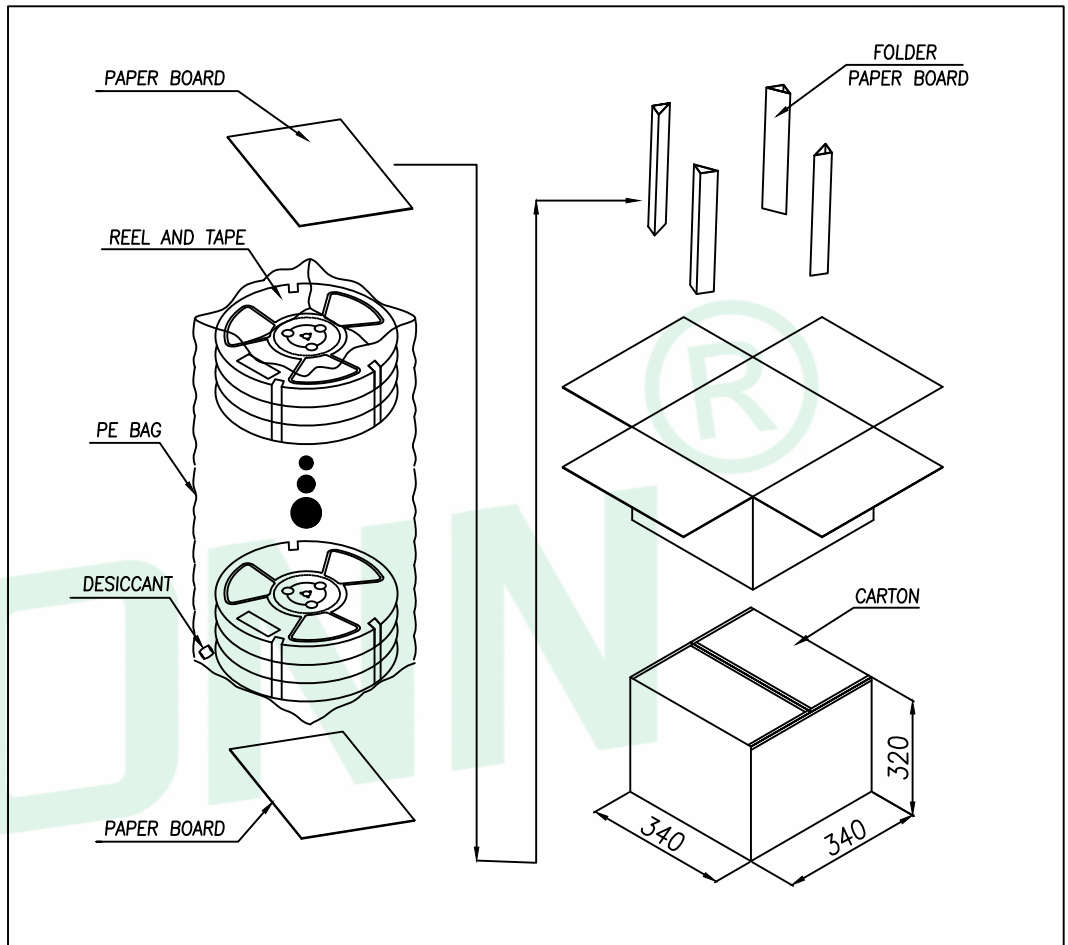
| PIN NUMBER | SIGNAL NAME | PIN NUMBER | SIGNAL NAME |
|------------|-------------|------------|-------------|
| A1 | GND | B12 | GND |
| A2 | SSTXp1 | B11 | SSRXp1 |
| A3 | SSTXn1 | B10 | SSRXn1 |
| A4 | VBUS | B9 | VBUS |
| A5 | CC1 | B8 | SBU2 |
| A6 | Dp1 | B7 | Dn2 |
| A7 | Dn1 | B6 | Dp2 |
| A8 | SBU1 | B5 | CC2 |
| A9 | VBUS | B4 | VBUS |
| A10 | SSRXn2 | B3 | SSTXn2 |
| A11 | SSRXp2 | B2 | SSTXp2 |
| A12 | GND | B1 | GND |

RECOMMENDED PCB LAYOUT(TOP VIEW)
THICKNESS 0.60MM;DEFAULT TOLERANCE:±0.05

| | | | | | |
|-------------------|-------|--|---------------|---------------|----------------|
| GENERAL TOLERANCE | | DONGGUAN BAOXUN PRECISION TECHNOLOGY CO., LTD | | | |
| DIM. | TOL. | TITLE: USB CF 24PIN SMT TYPE TOP MOUNT WITH POST | | | |
| x. | ±0.30 | DWG. NO.: TYPE-C-24P-Q5A | | CHECKED: MAX | |
| x.x | ±0.20 | PART NO.: TYPE-C-24P-Q5A | | DRAWN: ELLA | |
| x.xx | ±0.10 | UNIT: mm | | SCALE: none | |
| GENERAL ANGLE: | | SHEET: 1 of 1 | DWG. SIZE: A4 | LAYER: bxconn | APPROVED: WILL |
| x.* | ±10° | | | | |
| x.x* | ±8° | | | | |
| x.xx* | ±5° | | | | |



| REV. | DESCRIPTION | ECN NO. | NAME | DATE |
|------|-------------|---------|------|------|
| | | | | |



| | REEL | CARTON |
|-----------------|------|--------|
| CONNECTOR (PCS) | 900 | 9000 |

| | | |
|-------------------|--|---------------|
| GENERAL TOLERANCE | DONGGUAN BAOXUN PRECISION TECHNOLOGY CO., LTD | |
| DIM. | TITLE: USB CF 24PIN SMT TYPE TOP MOUNT WITH POST | |
| x. ±0.30 | DWG. NO.: TYPE-C-24P-Q5A | |
| x.x ±0.20 | CHECKED: MAX | |
| x.xx ±0.10 | PART NO.: TYPE-C-24P-Q5A | |
| GENERAL ANGLE: | DRAWN: ELLA | |
| x. ±10° | APPROVED: WILL | |
| x.x ±8° | UNIT: mm | SCALE: none |
| x.xx ±5° | SHEET: 1 of 1 | DWG. SIZE: A4 |
| | | LAYER: bxconn |

