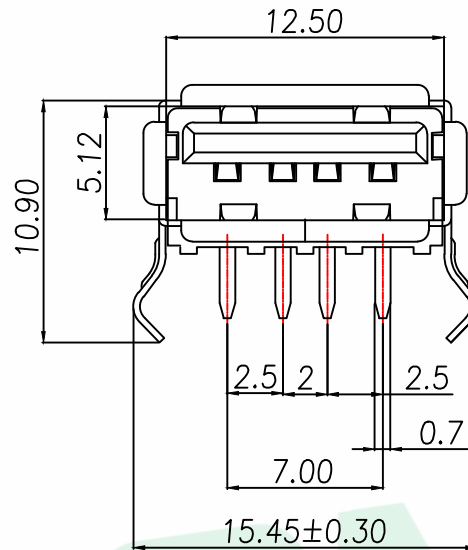
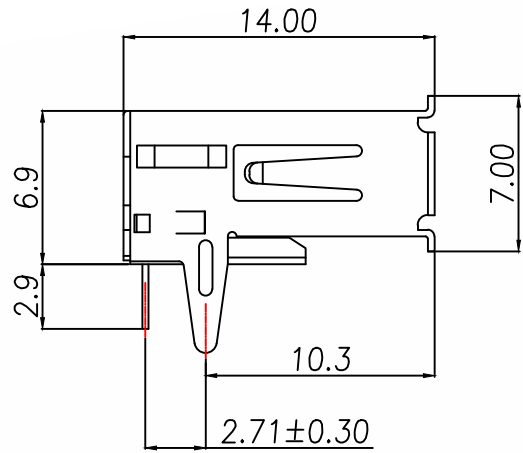


A		B		C		D		E	
REV.	DESCRIPTION				ECN NO.	NAME	DATE		



备注:

电气性能:

接触阻抗: 30毫欧(最大)

绝缘阻抗: 1000兆欧(最小)

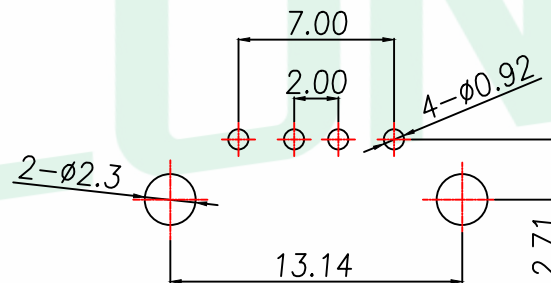
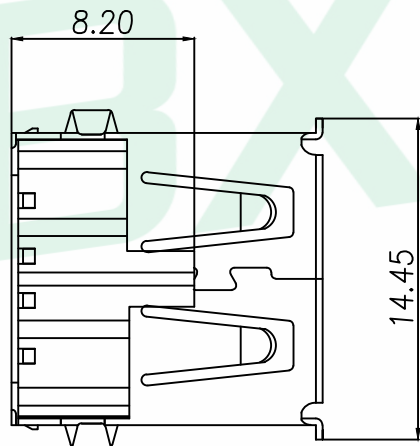
耐高压: 500V AC一分钟

电镀:

端子: 接触区域镀金



焊接区镀亮锡100u"Min

外壳: 全区域镀镍50u"Min



PCB.LAYOUT

TOL: ±0.05

GENERAL TOLERANCE		DONGGUAN BAOXUN PRECISION TECHNOLOGY CO., LTD				 
DIM.	TOL.	TITLE: USB AF 90度 弯脚 插件 卷边铜壳				
x.	±0.30	DWG. NO.: USB-902-131-4P		CHECKED: MAX		
x.x	±0.20	PART NO.: USB-902-131-4P		DRAWN: ELLA		
x.xx	±0.10	UNIT: mm		APPROVED: WILL		
GENERAL ANGLE:		SCALE: none	SHEET: 1 of 1	DWG. SIZE: A4	LAYER: bxconn	
x.°	±2.0°					
x.x'	±1.0'					
x.xx'						