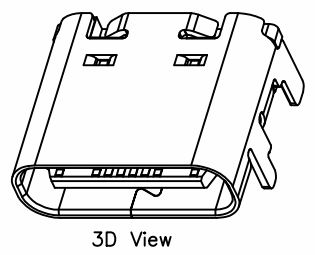
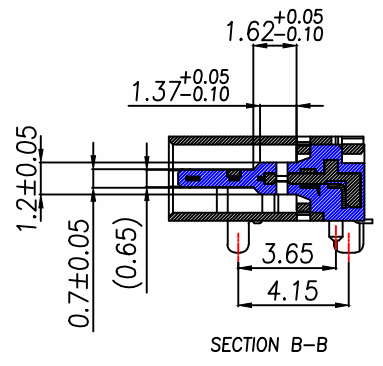
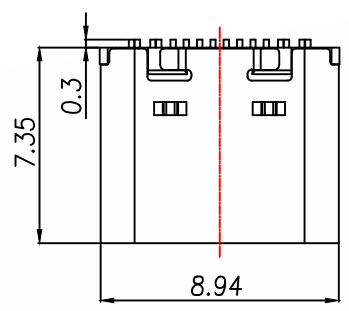
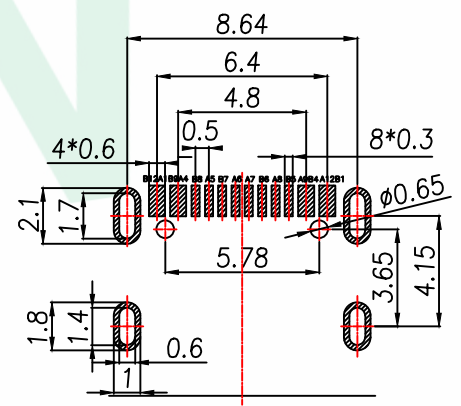
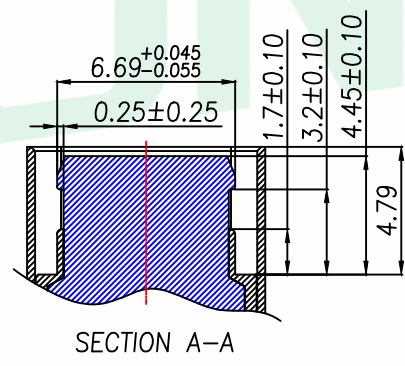
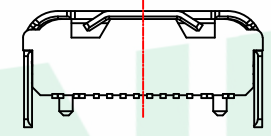
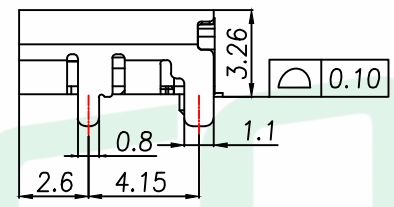
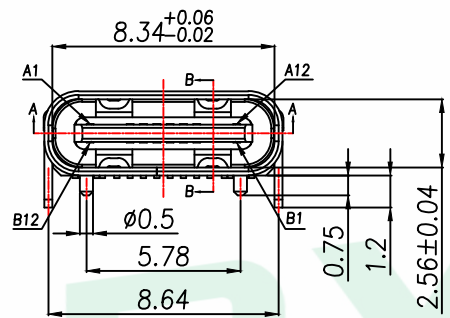


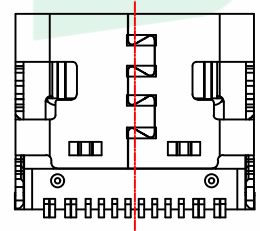
REV.	DESCRIPTION	ECN NO.	NAME	DATE



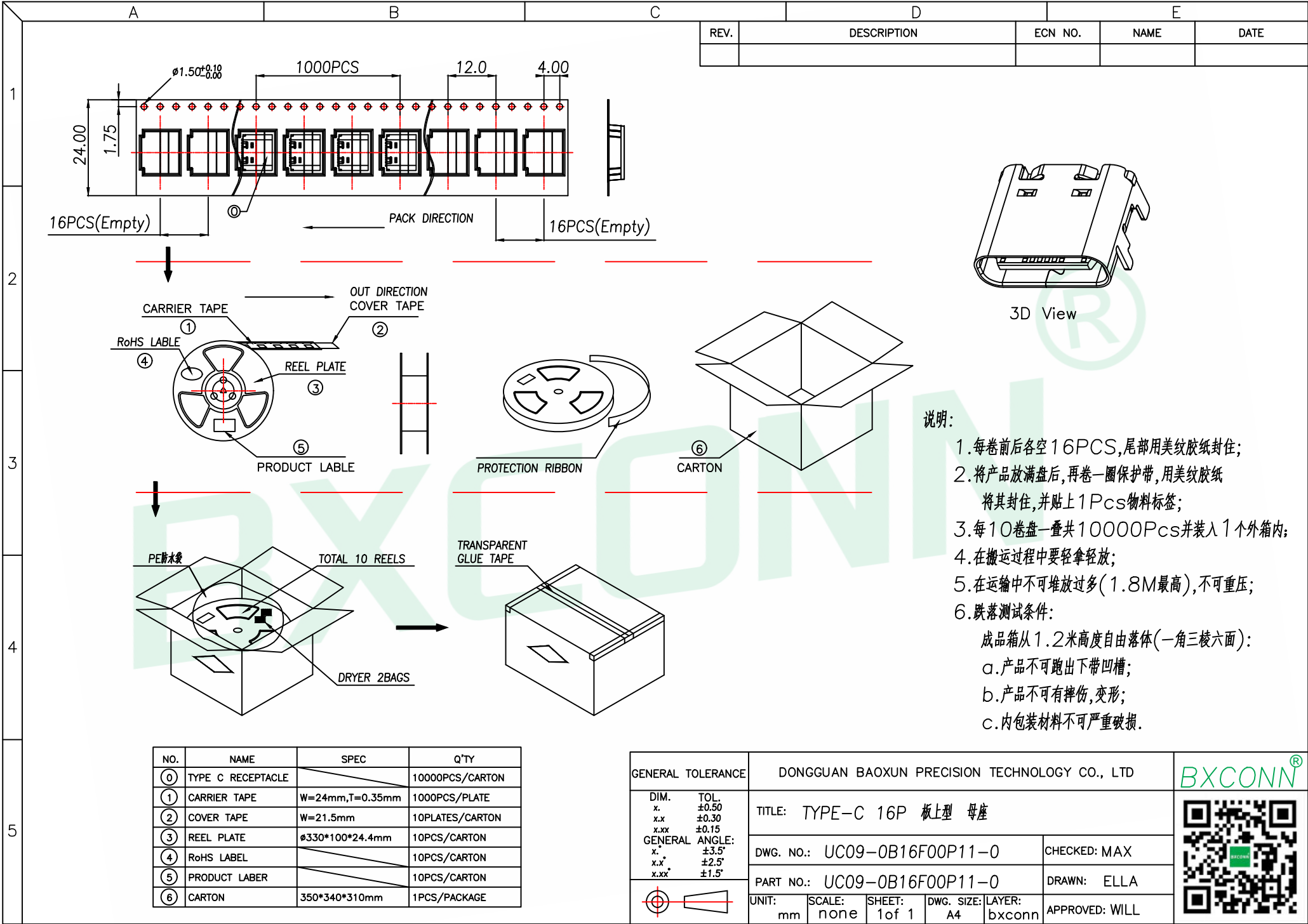
- SPECIFICATION:**
- Material:
 - HOUSING&MOLDING:LCP,UL94 V-0
 - CONTACTS:COPPER ALLOY T=0.20mm
 - MIDDLE CLIP:SUS301-1/2H,T=0.15mm
 - SHELL:SUS, T=0.30mm
 - Mechanical:
 - 2.1.Mating force:5~20Nf Max.;
 - 2.2.Unmating force:6~20Nf Min.;
 - 2.3.Durability:10000 Cycles;
 - Electrical:
 - 3.1.Current Rating:3A Max.;
 - 3.2.Voltage Rating:20V Max.;
 - 3.3.Dielectric Withstanding voltage:100VAc;
 - 3.4.Contact resistance:40m Ohms Max.;
 - 3.5.Insulation Resistance:100M Ohms Min.;
 - Environmental:
 - 4.1.Operating temperature:-40°C~+85°C;
 - 4.2.Wetting Temperature:265±5°C,5±0.5s



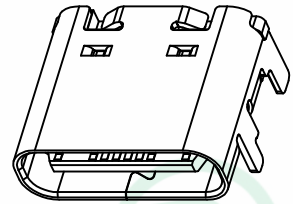
PIN DEFINE TABLE			
PIN	SIGNAL	PIN	SIGNAL
A12	GND	B1	GND
A11		B2	
A10		B3	
A9	VBUS	B4	VBUS
A8	SBU1	B5	CC2
A7	D-	B6	D+
A6	D+	B7	D-
A5	CC1	B8	SBU2
A4	VBUS	B9	VBUS
A3		B10	
A2		B11	
A1	GND	B12	GND



GENERAL TOLERANCE	DONGGUAN BAOXUN PRECISION TECHNOLOGY CO., LTD		
DIM. TOL.	TITLE: TYPE-C 16P 板上型 母座		
x. ±0.35	DWG. NO.: UC09-0B16F00P11-0		
x.x ±0.25	PART NO.: UC09-0B16F00P11-0		
x.xx ±0.15	DWG. SIZE: A4		
GENERAL ANGLE:	UNIT: mm	SCALE: none	SHEET: 1 of 1
x.° ±3.0°	DWG. SIZE: A4		LAYER: bxconn
x.x° ±2.5°	APPROVED: WILL		
x.xx° ±2.0°			



REV.	DESCRIPTION	ECN NO.	NAME	DATE



3D View

说明:

1. 每卷前后各空16PCS,尾部用美纹胶纸封住;
2. 将产品放满盘后,再卷一圈保护带,用美纹胶纸将其封住,并贴上1Pcs物料标签;
3. 每10卷盘一叠共10000Pcs并装入1个外箱内;
4. 在搬运过程中要轻拿轻放;
5. 在运输中不可堆放过多(1.8M最高),不可重压;
6. 跌落测试条件:
成品箱从1.2米高度自由落体(一角三棱六面):
a. 产品不可跑出下带凹槽;
b. 产品不可有摔伤,变形;
c. 内包装材料不可严重破损.

NO.	NAME	SPEC	Q'TY
⑥	TYPE C RECEPTACLE		10000PCS/CARTON
①	CARRIER TAPE	W=24mm,T=0.35mm	1000PCS/PLATE
②	COVER TAPE	W=21.5mm	10PLATES/CARTON
③	REEL PLATE	φ330*100*24.4mm	10PCS/CARTON
④	RoHS LABEL		10PCS/CARTON
⑤	PRODUCT LABER		10PCS/CARTON
⑥	CARTON	350*340*310mm	1PCS/PACKAGE

GENERAL TOLERANCE	DONGGUAN BAOXUN PRECISION TECHNOLOGY CO., LTD	
DIM.	TOL.	TITLE: TYPE-C 16P 板上型 母座 DWG. NO.: UC09-0B16F00P11-0 PART NO.: UC09-0B16F00P11-0 UNIT: mm SCALE: none SHEET: 1 of 1 DWG. SIZE: A4 LAYER: bxconn CHECKED: MAX DRAWN: ELLA APPROVED: WILL
x.	±0.50	
x.x	±0.30	
x.xx	±0.15	
GENERAL ANGLE:		
x.°	±3.5°	
x.x°	±2.5°	
x.xx°	±1.5°	

