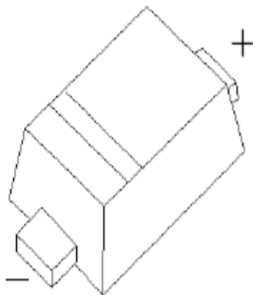


FEATURE

- Small surface mounting type
- Low I_R
- High reliability



SOD-523



Maximum Ratings and Electrical Characteristics, Single Diode @Ta=25°C

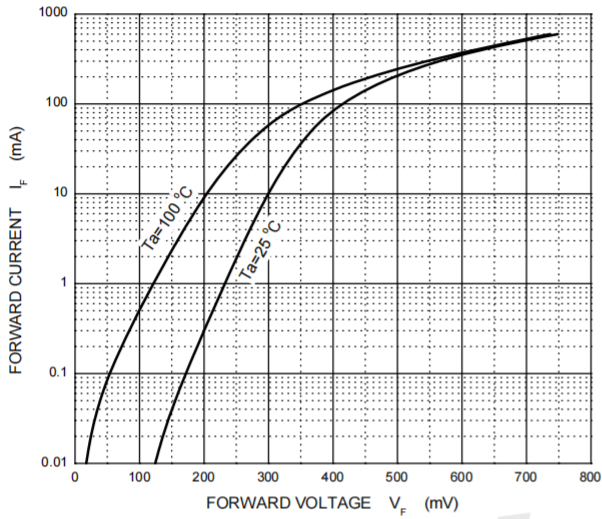
| Parameter | Symbol | Limit | Unit |
|----------------------------------------|-----------------|----------|------|
| DC reverse voltage | V_R | 30 | V |
| Mean rectifying current | I_O | 200 | mA |
| Peak forward surge current | I_{FSM} | 1 | A |
| Power dissipation | P_D | 150 | mW |
| Thermal resistance junction to ambient | $R_{\theta JA}$ | 667 | °C/W |
| Junction temperature | T_J | 125 | °C |
| Storage temperature | T_{stg} | -55~+150 | °C |

Electrical Ratings @Ta=25°C

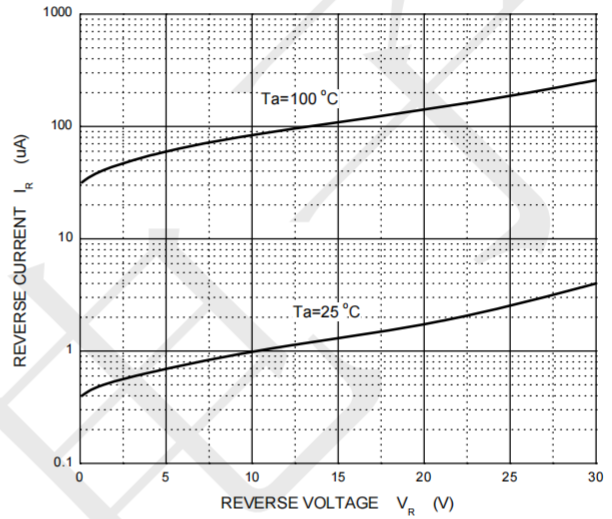
| Parameter | Symbol | Min | Typ | Max | Unit | Conditions |
|-----------------|--------|-----|-----|-----|---------------|--------------------|
| Forward voltage | V_F | | | 0.6 | V | $I_F=200\text{mA}$ |
| Reverse current | I_R | | | 1 | μA | $V_R=10\text{V}$ |

Typical Characteristics

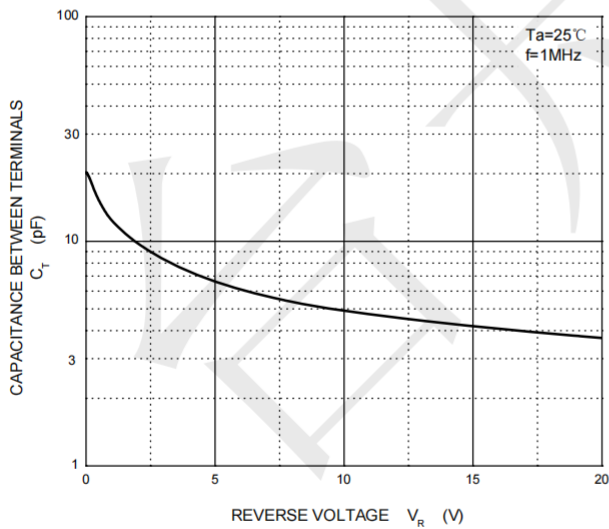
Forward Characteristics



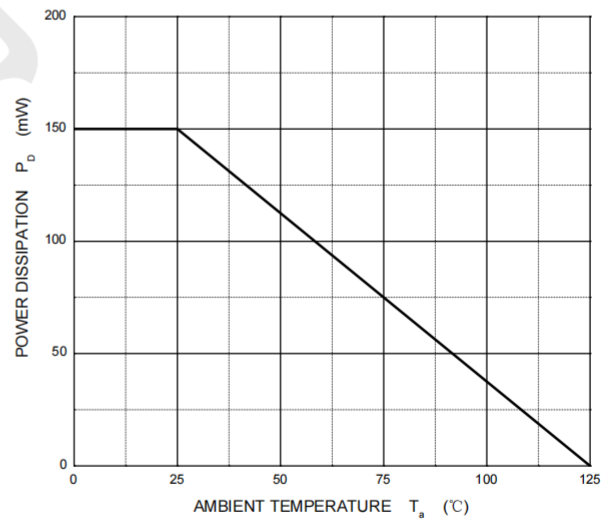
Reverse Characteristics



Capacitance Characteristics

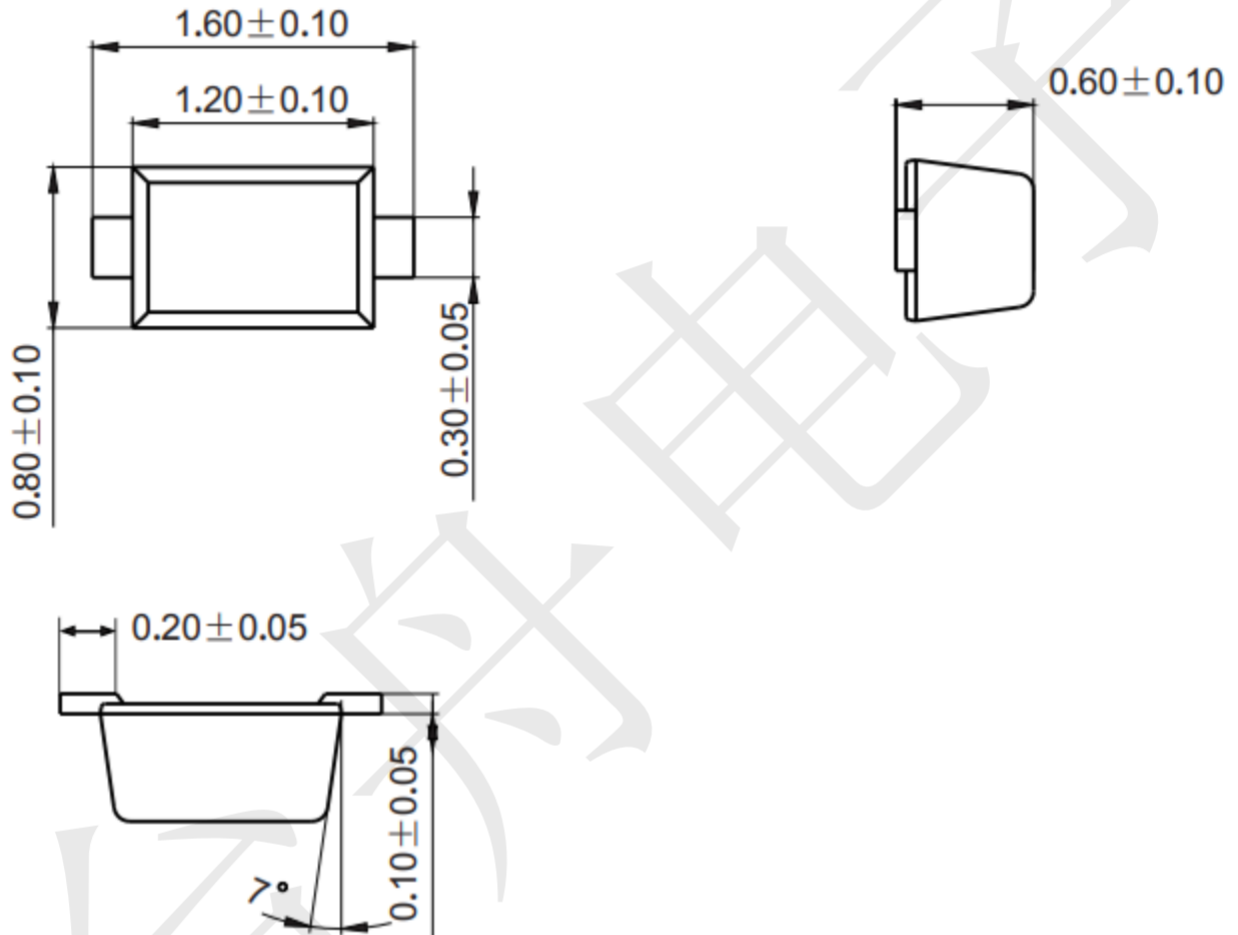


Power Derating Curve



Package information

SOD-523 (Unit: mm)



Mounting Pad Layout (Unit: mm)

