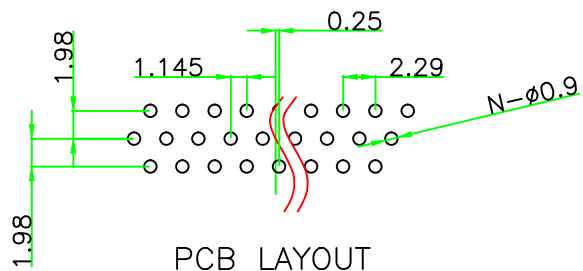
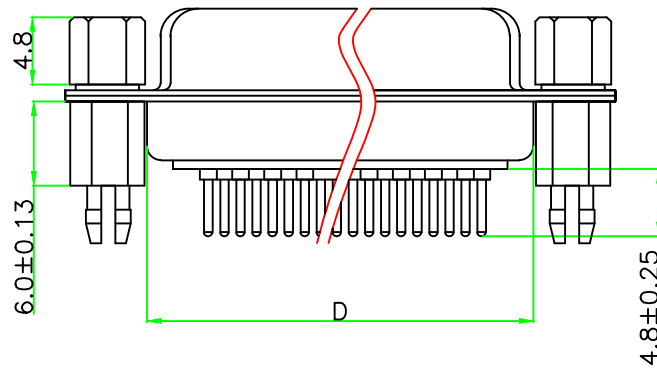
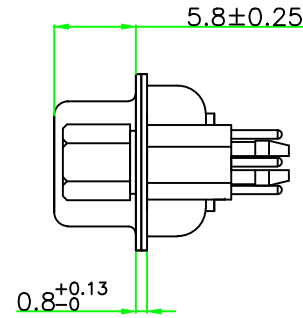
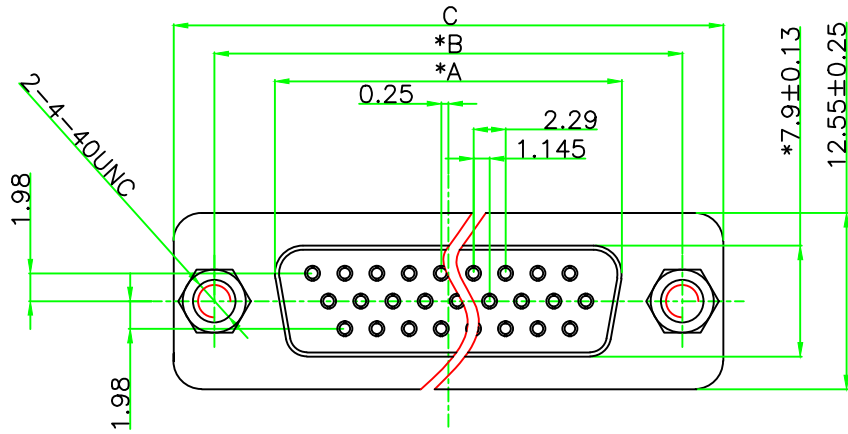


所用物料均符合ROHS标准

标“*”为重点检验尺寸

PO(XXX)	A ±0.25	B ±0.13	C ±0.38	D ±0.25
015	16.33	24.99	30.81	19.28
026	24.66	33.32	39.14	27.51
044	38.38	47.04	53.04	41.28



PCB LAYOUT

NOTICE :

1. ELECTRIC:

- DIELECTRIC RATING: 300V
- CONTACT CURRENT RATING: 3AMP
- CONTACT RESISTANCE: 15mΩ MAX.
- INSULATION RESISTANCE: 1000MΩ MIN. AT 500V DC
- DIELECTRIC STRENGTH: 500V AC RMS FOR 1MINUTE
- OPERATION TEMPERATURE: -55C° ~125C°

2. MATERIAL:

- INSULATOR: PBT+30% G. F(UL94V-0)
- CONTACT: COPPER ALLOY
- CONTACT PLATED: GOLD FIASH OVER NICKEL
- SHELL: SPCC
- SHELLPLATED: NICKEL/TIN
- FORK: COPPER ALLOY/PLATED NICKEL

浙江创都电子科技有限公司

TOLERANCE: XX ±0.38 XXX ±0.25 XXXX ±0.13 X* ±5° X.X* ±2°	DRAWN BY : 2011.01.05	DATE : 2011.01.05	PART NAME: HDP XP 母 直焊板式铆6.0鱼叉 锁4-40unc*4.8螺丝	
	CHECKED BY :	DATE : 2011.01.05	DRAW NO.: HDP-M-**P-ZC-YCLS	PART NO.:
UNIT: mm [inch] SCALE:1:1 A版	APPROVED BY :	DATE : 2014.11.05	REMARK:	MOLD NO.: