

Note A: The LF means RoHS compliance, the housing will withstand exposure to peak temperature 260 degree C for 5 sec in the IR re-flow process.

- NOTES:
- SPECIFICATIONS
Current Rating: 1A AC,DC
Voltage Rating: 125V AC,DC
Temperature Range: -40°C ~ +105°C
Contact Resistance: 20mΩ Max.
Insulation Resistance: 100MΩ Min.
Withstanding Voltage: 500V AC/minute
 - Material & finish:
Housing: Natural Thermoplastic, UL94V-0
Contact and metal hold-down: Phosphor Bronze
Plating of contact: Matte Tin or gold on contact area, 100u"Min. Matte Tin on tail, 50u"Min. Ni overall as underplating
Plating of metal hold-down: 100u"Min. Matte Tin overall, 50u"Min. Nickel overall as underplating
 - Crimping application hand tool P/N: 10118656-1000
 - Mate With Receptacle: AFCI 10114826
 - Ordering Information & Dimensions:

10114830- X X X XX LF

Material: LF: See note A

1: LCP Natural
Non Glow Wire Compatible
2: LCP Natural
Glow Wire Compatible
3: LCP Black
Glow Wire Compatible

Pin counts from 02~15

Packaging:
1: Tape & Reel
2: ESD Tape & Reel
3: Customized Tape & Reel(See page2)

Plating on contact:
0: Matte Tin 100u"
1: Gold Flash
2: Gold 15u"
3: Gold 30u"

PART NO.	Dimensions			
	A	B	C	D
10114830-xxx02LF	4.25	1.25±0.10	4.94	3.05
10114830-xxx03LF	5.50	2.50±0.10	6.19	4.30
10114830-xxx04LF	6.75	3.75±0.15	7.44	5.55
10114830-xxx05LF	8.00	5.00±0.10	8.69	6.80
10114830-xxx06LF	9.25	6.25±0.15	9.94	8.05
10114830-xxx07LF	10.50	7.50±0.15	11.19	9.30
10114830-xxx08LF	11.75	8.75±0.15	12.44	10.55
10114830-xxx09LF	13.00	10.00±0.15	13.69	11.80
10114830-xxx10LF	14.25	11.25±0.20	14.94	13.05
10114830-xxx11LF	15.50	12.50±0.20	16.19	14.30
10114830-xxx12LF	16.75	13.75±0.20	17.44	15.55
10114830-xxx13LF	18.00	15.00±0.20	18.69	16.80
10114830-xxx14LF	19.25	16.25±0.20	19.94	18.05
10114830-xxx15LF	20.50	17.50±0.20	21.19	19.30

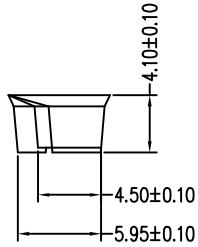
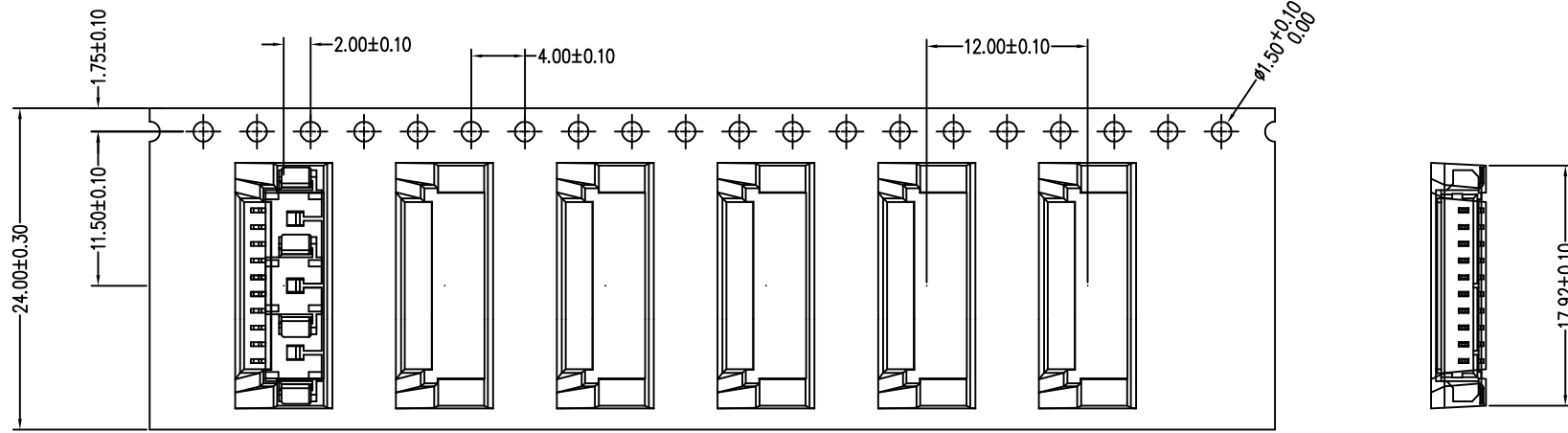
mat'l. code		surface ISO 1302		tolerance ISO 406		projection ISO 1101		product family	
litr		ecn no		dr		date		FitMate	
N		ELX-N-42390		Jason		9/18/21		title	
G		ELX-N-21788		TIM		08/27/15		WTB 1.25MM WAFER 90° SMT	
H		ELX-N-27088		TONY		05/24/17		scale 1:1	
J		ELX-N-27325		TONY		06/26/17		dwg no	
K		ELX-N-29884		TONY		04/17/17		sheet 1 of 2	
L		ELX-N-30309		TONY		05/28/18		size	
M		ELX-N-33890		JASON		06/12/19		10114830	
sheet		revision		N				type Product Customer Drawing	
index		sheet		1				A3	



Amphenol
FCI

© 2016 AFCI

D



Packing only for 10114830-XX310LF

NOTES:

1. The cumulative error of any 10 consecutive chain holes shall not exceed $\pm 0.2\text{mm}$
2. The non-parallel dimensions within the range of 250mm in the direction of the belt length shall not exceed 1mm.
3. Material: PS; Color: Clear; Thickness: 0.30mm.
4. 13°Dis; 15.3M/R; 1200pcs/R.
5. Comply with ROHS requirements

mat'l. code		surface		tolerance		projection		product family			
		ISO 1302		ISO 406 ISO 1101		mm		FitMate			
ltr	ecn no	dr	date	tolerances unless otherwise specified		title					
N	ELX-N-42390	Jason	9/18/21	angles	linear	WTB 1.25MM WAFER 90° SMT					
G	ELX-N-21788	TIM	08/27/15			mm					
H	ELX-N-27088	TONY	05/24/17	0°±2'		scale 1:1					
J	ELX-N-27325	TONY	06/26/17	dr	JASON HSU	12/1/10	dwg no		sheet 2 of 2	size	
K	ELX-N-29884	TONY	04/17/17	engr	Jason Wang	2021/9/18	10114830		A3		
L	ELX-N-30309	TONY	05/28/18	chr	-	-	type		Product Customer Drawing		
M	ELX-N-33890	JASON	06/12/19	appd	Tim Yao	2021/9/18					
sheet	revision										
index	sheet	2									