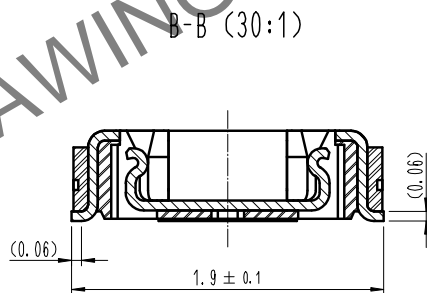
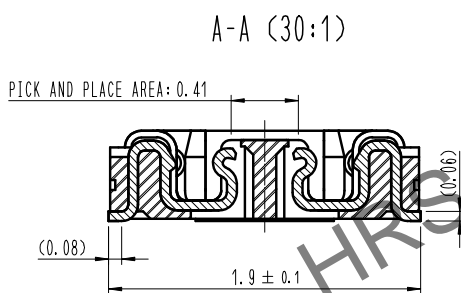
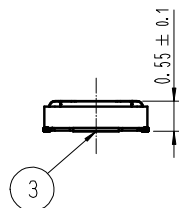
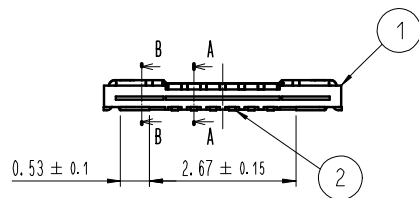
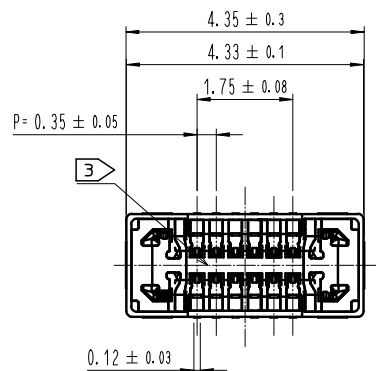
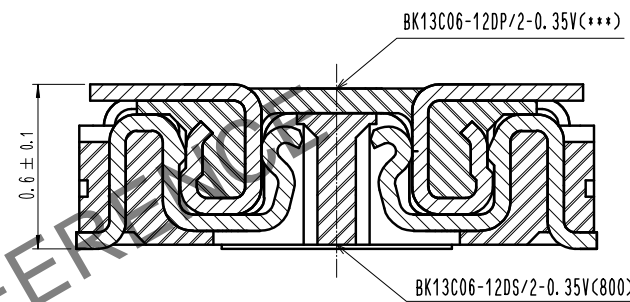


Mar. 1. 2026 Copyright 2026 HIROSE ELECTRIC CO., LTD. All Rights Reserved.
 use of consideration for using Automotive equipment / device which demand high reliability, kindly contact our sales window correspond

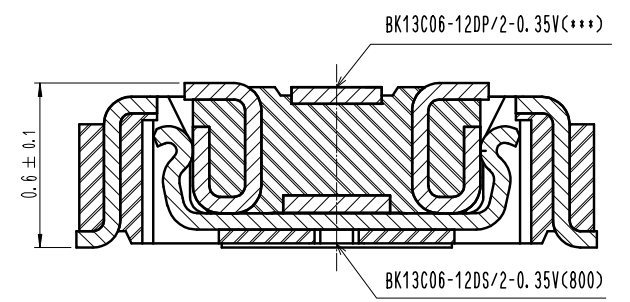


| COUNT | DESCRIPTION OF REVISIONS | B | Y | CHKD | DATE | COUNT | DESCRIPTION OF REVISIONS | B | Y | CHKD | DATE |
|-------|--------------------------|---|---|------|------|-------|--------------------------|---|---|------|------|
| △ | | | | | | △ | | | | | |
| △ | | | | | | △ | | | | | |
| △ | | | | | | △ | | | | | |

ENGAGEMENT FIGURE (50:1)



SIGNAL CONTACT



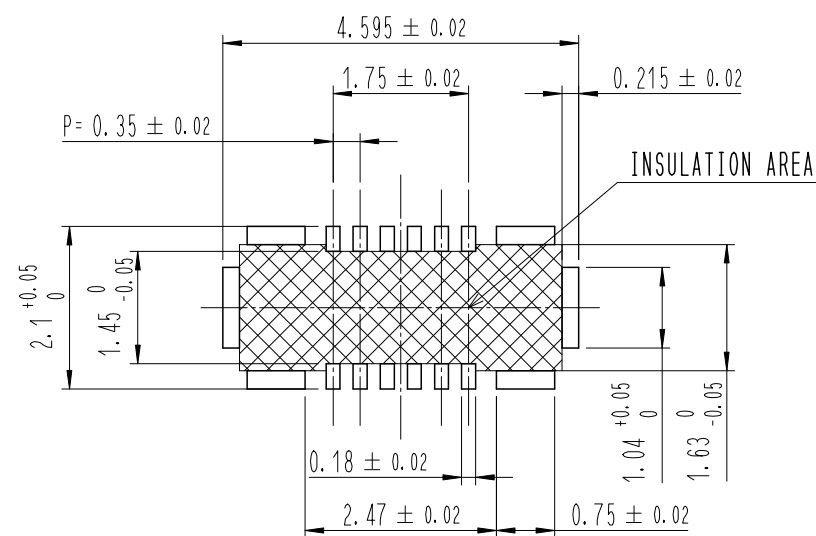
POWER CONTACT

- NOTE
- 1 - ALL LEAD CO-PLANARITY SHALL BE 0.08mm MAX.
 - 2 CONTACT PLATING SPECIFICATIONS
 CONTACT AREA : GOLD 0.05 μm MIN
 SMT LEAD : GOLD 0.05 μm MIN
 UNDERPLATING : NICKEL 1 μm MIN
 (SURFACE : SEALING)
 - 3 CAV NO. ARE INDICATED IN APPROX POSITION SHOWN.

| 4 | PS | CLEAR (EMBOSSED CARRIER TAPE) | | | | | | | | |
|-----------------------------------|----------------------------|-------------------------------|-----|----------|-----------------|------------------------------------|------------|----------------------|----------|----------|
| 3 | COPPER ALLOY | 2 | | | | | | | | |
| 2 | COPPER ALLOY | 2 | | | | 6 | PS | BLACK (PLASTIC REEL) | | |
| 1 | LCP | UL94 V-0, BLACK | | | | 5 | POLYESTER | CLEAR (COVER TAPE) | | |
| NO. | MATERIAL | FINISH, REMARKS | NO. | MATERIAL | FINISH, REMARKS | | | | | |
| REMARKS | | | | | | DRAWN | DESIGNED | CHECKED | APPROVED | RELEASED |
| | | | | | | J. M. YEOM | J. M. YEOM | H. W. JO | H. W. JO | 22.01.17 |
| | | | | | | 22.01.17 | 22.01.17 | 22.01.17 | 22.01.17 | |
| CODE NO. (COLD) | DRAWING NO. EDC3-633577-80 | | | | | PART NO. BK13C06-12DS/2-0.35V(800) | | | | |
| SCALE | 10:1 | | | | | CODE NO. CL 6665-0061-0-800 | | | | |
| UNITS | mm | | | | | 1/3 | | | | |
| HRS HIROSE KOREA CO., LTD. | | | | | | | | | | |

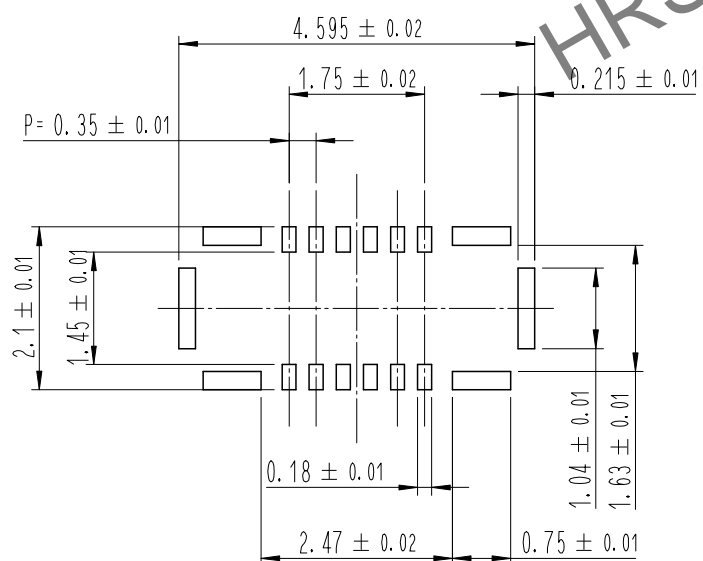
Mar.1.2026 Copyright 2026 HIROSE ELECTRIC CO., LTD. All Rights Reserved.
In case of consideration for using Automotive equipment / device which demand high reliability, kindly contact our sales window correspondents.

5 RECOMMENDED PCB LAYOUT

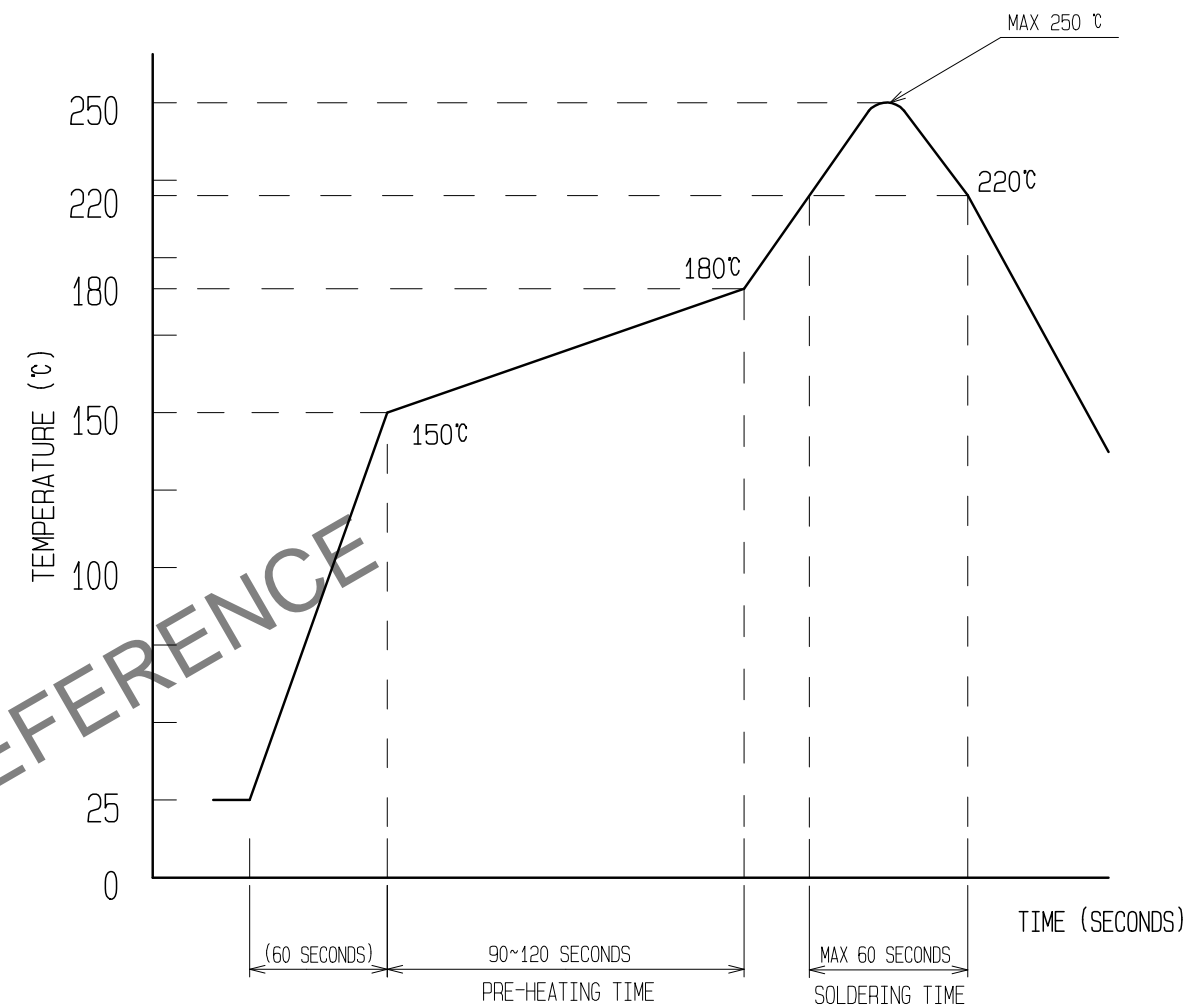


RECOMMENDED METAL MASK DIMENSIONS

METAL MASK THICKNESS : 80 μm



4 RECOMMENDED REFLOW TEMPERATURE PROFILE USING LEAD-FREE SOLDER PASTE.



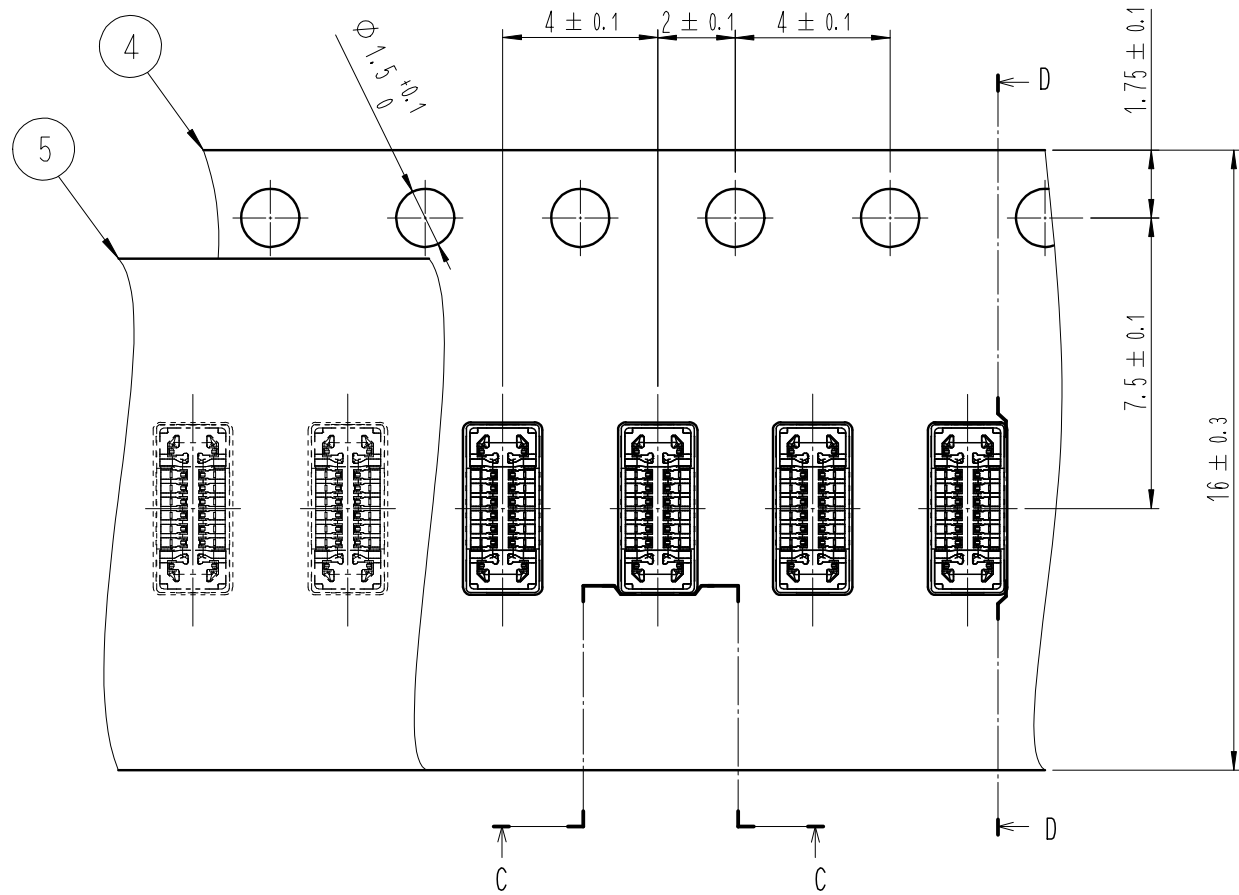
REFLOW METHOD : N₂ REFLOW
 NUMBER OF REFLOW CYCLES : 2 CYCLES MAX.
 1) REFLOW TIME
 DURATION ABOVE 220°C, 60 SEC MAX.
 (PEAK TEMPERATURE : 250°C MAX)
 2) PRE-HEAT TIME
 PRE-HEAT TEMPERATURE(MIN): 150°C
 PRE-HEAT TEMPERATURE(MAX): 180°C
 PRE-HEAT TIME: 90-120 SEC.

- 4 THIS TEMPERATURE PROFILE IS PER THE CONDITIONS SHOWN ABOVE. ADDITIONAL FACTORS SUCH AS SOLDER PASTE TYPE, PCB SIZE AND OTHER MOUNTED COMPONENTS COULD AFFECT THE PROFILE. THEREFORE, A THOROUGH EVALUATION OF MOUNTING CONDITION IS REQUIRED PRIOR TO PRODUCTION. TEMPERATURE IS MEASURED AT CONTACT LEAD.
- 5 PLEASE CONTACT US IN CASE YOU WILL MAKE DIFFERENT SETTINGS FROM OUR RECOMMENDATION.
- 6 . THIS PRODUCT SATISFIES HALOGEN FREE REQUIREMENTS DEFINED AS 900ppm MAXIMUM CHLORINE, 900ppm MAXIMUM BROMINE, AND 1500ppm MAXIMUM TOTAL OF CHLORINE AND BROMINE.
- 7 . THIS PRODUCT COMPLY WITH RoHS.

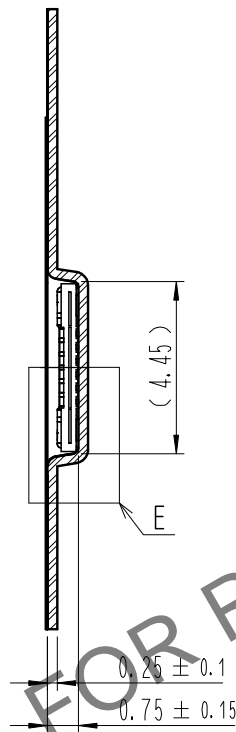
| | | | | |
|-------|-------------|----------------|----------|---------------------------|
| | DRAWING NO. | EDC3-633577-80 | PART NO. | BK13C06-12DS/2-0.35V(800) |
| | SCALE | 10:1 | CODE NO | CL 6665-0061-0-800 |
| UNITS | mm | | | 2/3 |

Mar.1.2026 Copyright 2026 HIROSE ELECTRIC CO., LTD. All Rights Reserved.
In case of consideration for using Automotive equipment / device which demand high reliability, kindly contact our sales window correspondents.

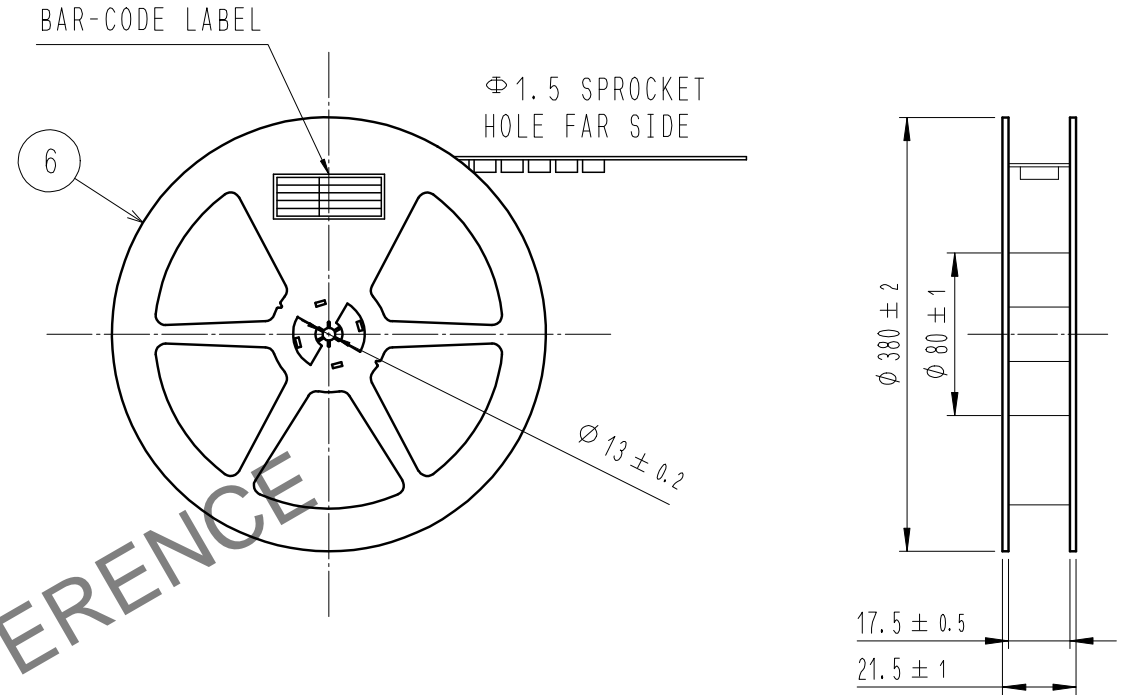
EMBOSED CARRIER TAPE PACKAGING (5:1)



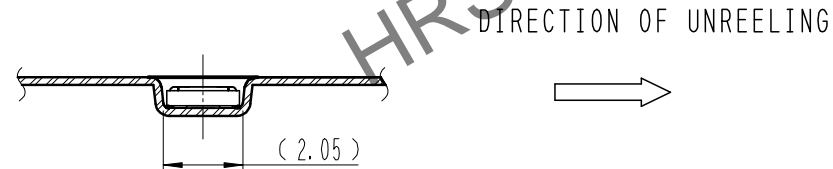
D-D (5:1)



STYLE AND DIMENSION OF REEL (FREE)



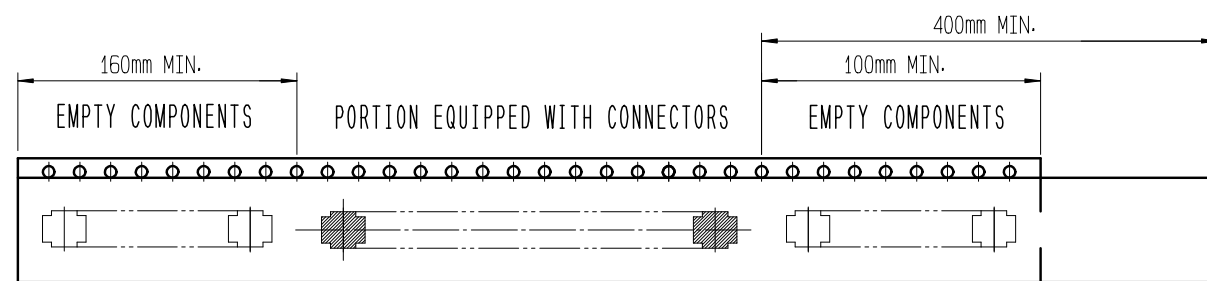
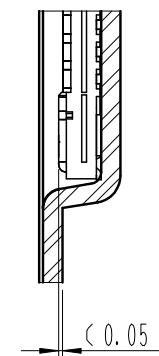
C-C (5:1)



DETAIL OF PART No. LABEL

| | |
|----------------------|---------------------------|
| SUPPLIER | |
| QUANTITY | |
| PART NO. | |
| CODE NO. | |
| DATE OF MANUFACTURED | |
| 生産月日 | 年 月 日 |
| 図番 | ** ** * |
| 品名 | BK13C06-12DS/2-0.35V(800) |
| 納入数量 | 20,000個 |
| 納入者 | HIROSE KOREA |

E (10:1)



- 8 . PER REEL 20,000 CONNECTORS.
- 9 . THE DIMENSIONS IN PARENTHESES ARE FOR REFERENCE.
- 10 REFER TO JIS C 0806, IEC-60286-3 (PACKAGING OF COMPONENTS FOR AUTOMATIC HANDLING)

TAPING(FREE)

| | | |
|-------------------------------|---------------------------------------|--------------------------------|
| DRAWING NO. EDC3-633577-80 | PART NO. BK13C06-12DS/2-0.35V(800) | |
| | SCALE 10:1 | CODE NO. CL 6665-0061-0-800 |
| UNITS mm | HRS HIROSE KOREA CO., LTD. | |