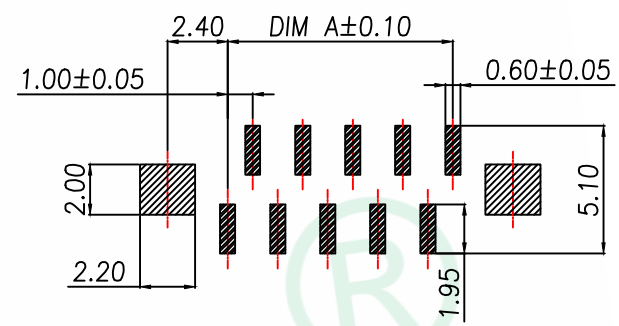
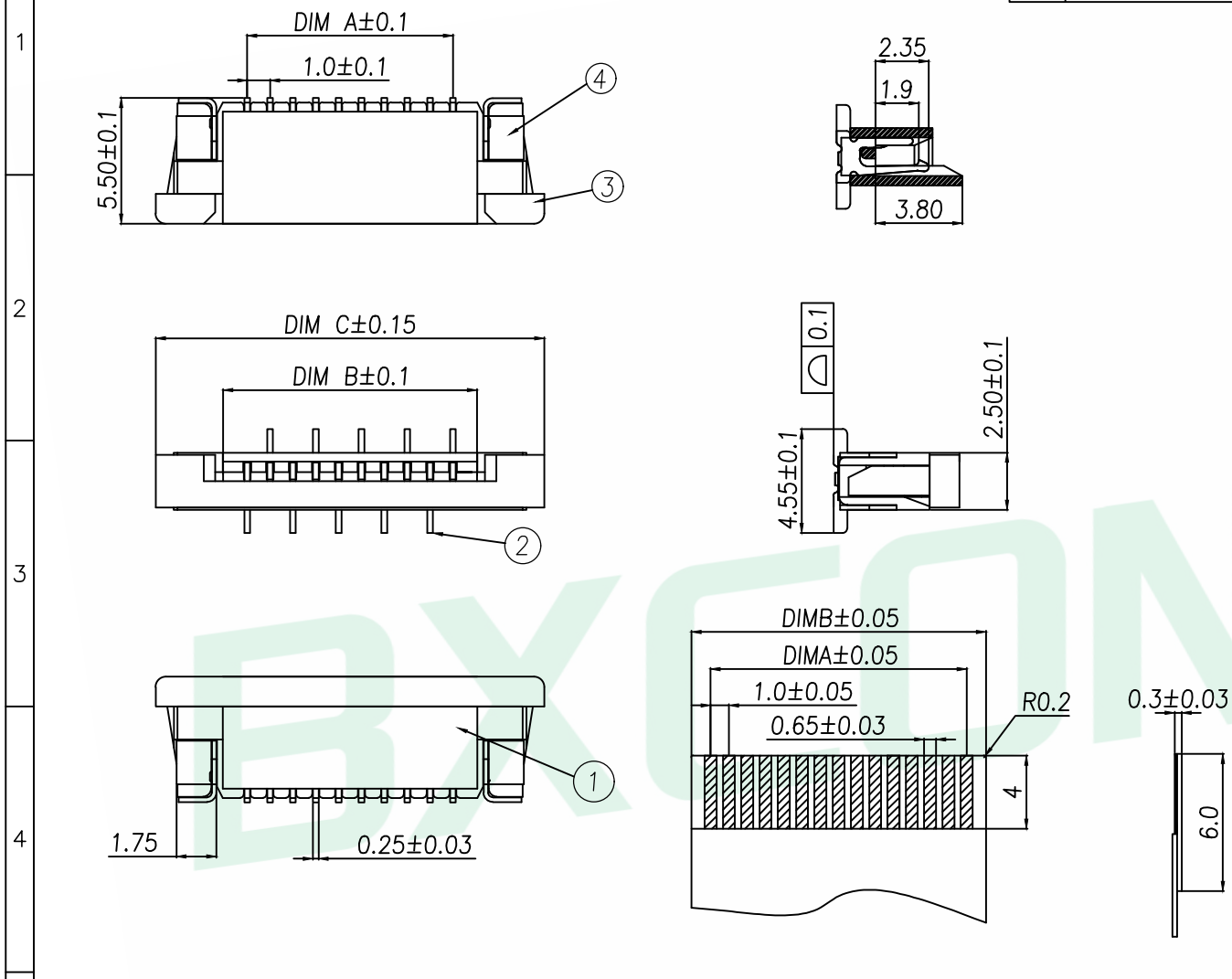


A		B		C		D		E	
REV.	DESCRIPTION				ECN NO.	NAME	DATE		



Part No	Pin	A	B	C
FC-10C4P11H55	4	3.00	5.15	11.00
FC-10C5P11H55	5	4.00	6.15	12.00
FC-10C6P11H55	6	5.00	7.15	13.00
FC-10C7P11H55	7	6.00	8.15	14.00
FC-10C8P11H55	8	7.00	9.15	15.00
FC-10C9P11H55	9	8.00	10.15	16.00
FC-10C10P11H55	10	9.00	11.15	17.00
FC-10C11P11H55	11	10.00	12.15	18.00
FC-10C12P11H55	12	11.00	13.15	19.00
.....	....	...	....	....
FC-10C36P11H55	36	(36-1)*1.0	(36+1)*1.0+0.15	(36+7)*1.0

序号	品名	材质
1	1.0A胶芯	LCP UL94V-0 本色
2	1.0A立贴端子	磷青铜/表面镀锡
3	1.0A锁条	LCP UL94V-0 黑色
4	1.0A焊片	黄铜/表面镀锡

- 技术指标:
1. 额定电流: 0.5A
  2. 温度范围: -40~85℃
  3. 额定电压: 50V, AC/DC (等效)
  4. 接触电阻: ≤0.03Ω
  5. 绝缘电阻: ≥500MΩ

GENERAL TOLERANCE: DONGGUAN BAOXUN PRECISION TECHNOLOGY CO., LTD

DIM. TOL. x ±0.15, x.x ±0.10, x.xx ±0.05, GENERAL ANGLE: ±1°

TITLE: FPC 1.0 拉拔 立贴 H:2.5

DWG. NO.: FC-10CXP11H55 CHECKED: MAX

PART NO.: FC-10CXP11H55 DRAWN: ELLA

UNIT: mm SCALE: none SHEET: 1 of 1 DWG. SIZE: A4 LAYER: bxconn APPROVED: WILL

BXCONN®