

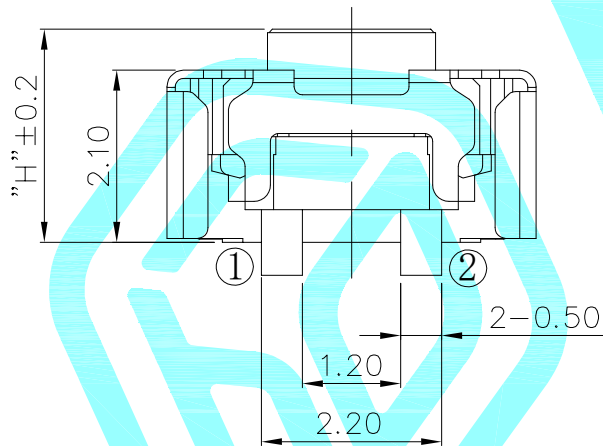
Circuit Diagram

NO.1	
PART NO	vigor
3	180±30
4	250±30

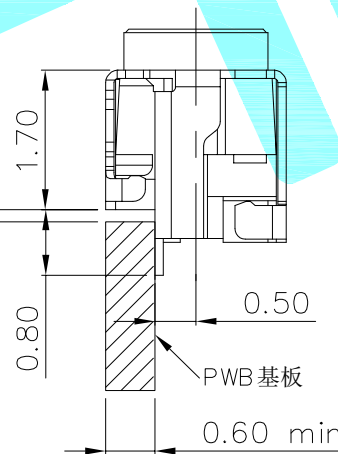
NO.2	
PART NO	MATERIAL/QTY
S	SUS/1PCS
D	SUS/2PCS

NO.3-NO.4	
PART NO	NOTE
01~99	SERIAL NUMBER

PCB Layout(Pattern side)



mount position within 0.15mm from pwb edge



NOTE:

- 1. Operating Force: 220±70gf
- 2. Life: 600,000 Cycles
- 3. Travel: 0.15±0.10mm

⑥	Handle	—	1	PPA	Black	—
⑤	Cover	—	1	SUS304	Gilded	—
④	membrane	—	1	Polyimide	Yellow	—
③	shrapnel	—	1	SUS301	Plating silver	—
②	Base	—	1	LCP	Black	—
①	Terminal	—	2	Phosphor Bronze	Plating silver	—
ITEM	PART NAME	TER'NO.	QTY.	MATERIAL	FINISHING	REMARK

APPROVALS

DATE



DRAWN	LIANG	2026.04.13	TITLE:	TACT SWITCHES
CHECKED			PART NO.	K2-1848FP-A□DW-□□
APPROVALS			UNIT: mm	SCALE: 1:1
TOLERANCES ARE	30~以上 ±0.30	10~30 ±0.20	ANGLE	UNIT: mm
	5~10 ±0.15	~ 5 ±0.10	±2'	DRAWING NO.
				SHEET 1 OF 1

ECN NO.	REV.	DATE.	DESCRIPTION.	CHANGE.	CHECK.	APPRO.
—	A	—	NEW	—	—	—