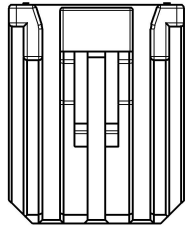
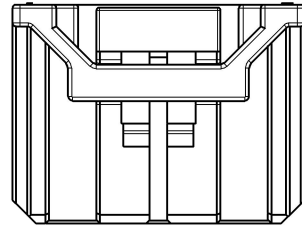


RoHS

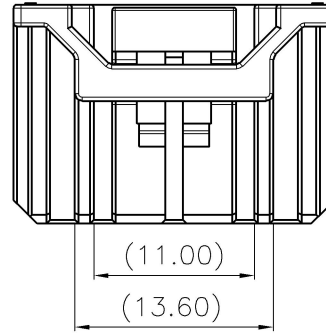
2*04~2*07 Pin



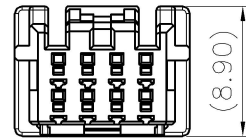
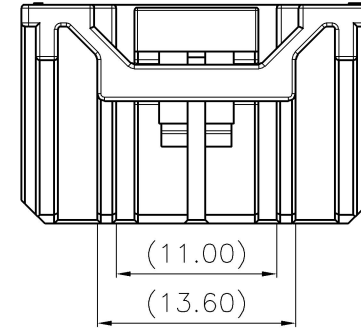
2*08 Pin



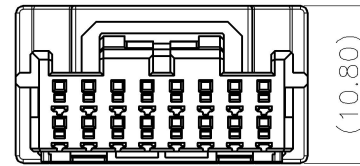
2*09 Pin



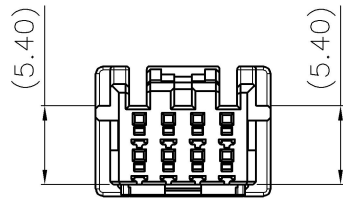
2*10~2*20 Pin



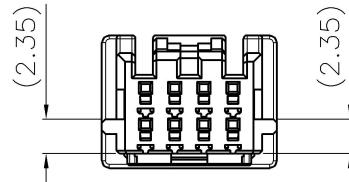
2*04~2*07 Pin



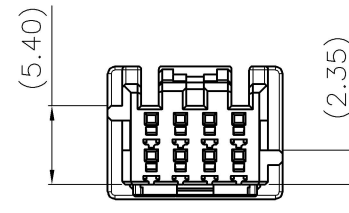
2*08~2*20 Pin



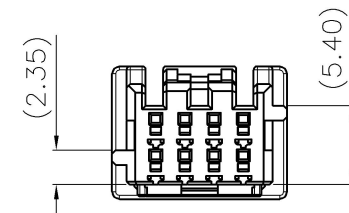
Coding A



Coding B


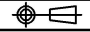


Coding C



Coding D

Coding Type

DRAWN	DATE	GENERAL .X ±0.35 .XX ±0.25 .XXX ±0.15	ANGLES X° ±3.0°	 YXT 益鑫通精密电子有限公司 YXT Precision Electronics Co.,Ltd.	
Menger	09/10/21'				
DESIGN	DATE			TITLE	
Menger	09/10/21'	Pitch 2.0mm Double Row		P/N	
CHECKED	DATE	GENERAL TOLERANCES		WTB30-***1-001	
David	09/10/21'	UNLESS OTHERWISE SPECIFIED		REV. A	
APPROVED	DATE	 UNIT: mm		DWG NO. C-WTB30-2W-01-0001	
Will Gao	09/10/21'	SHEET 2 OF 2		SCALE 2:1	
CUSTOMER DRAWING					