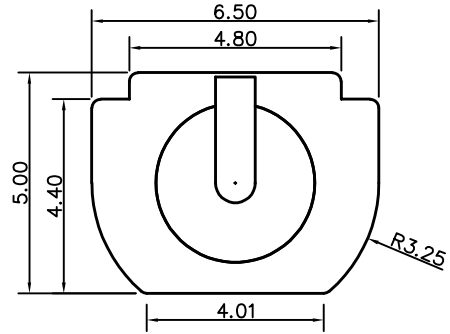
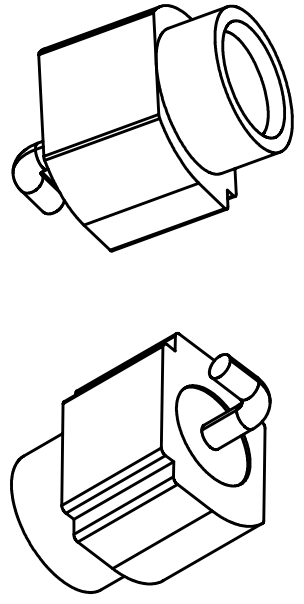
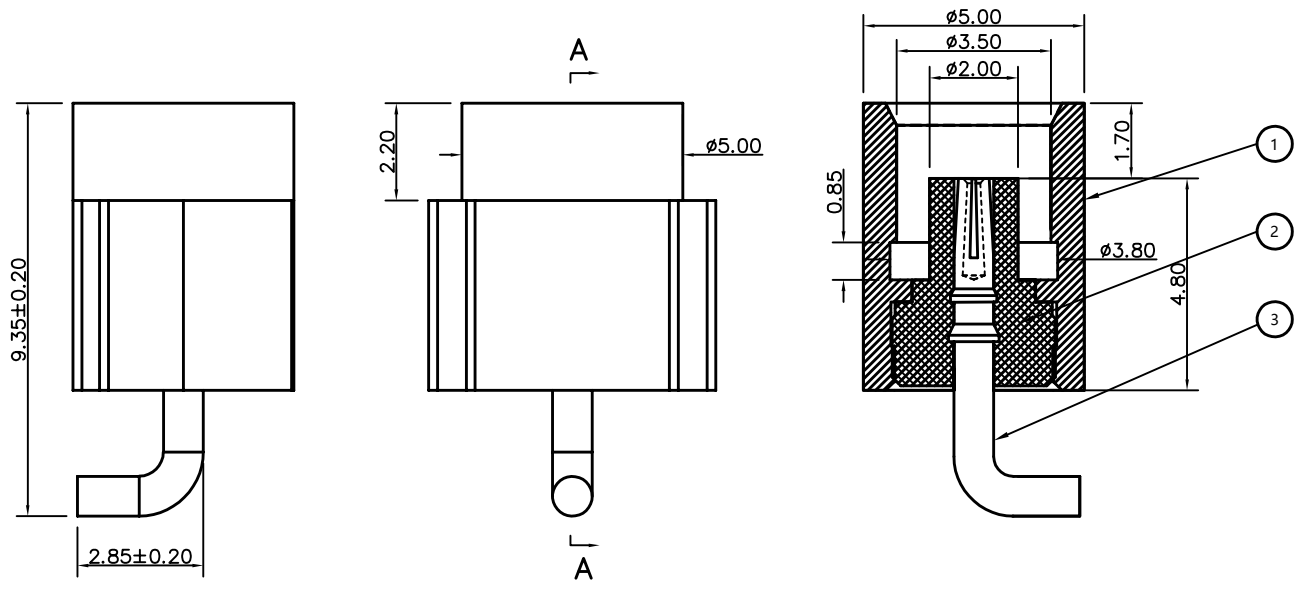


| NO. | ECN NO. | DESCRIPTION | DATE |
|-----|---------|-------------|------|
|     |         |             |      |



| 电气性能 (ELECTRICAL CHARACTERISTICS)      |  |                      |          |                     |          |
|--|--|----------------------|----------|---------------------|----------|
| 特性阻抗 (Impedance)                       | 50 Ω   |                      |          |                     |          |
| 工作电压 (Voltage rating)                  | 335V(rms)  |                      |          |                     |          |
| 频率范围 (Frequency range)                 | 0 ~ 6GHz   |                      |          |                     |          |
| 介质耐压 (Dielectric withstanding voltage) | > 500 V rms max  |                      |          |                     |          |
| 接触电阻 (Contact resistance)              | <table border="1"> <tr> <td>内导体 (Center contact)</td> <td>&lt; 5.0 mΩ</td> </tr> <tr> <td>外导体 (Outer contact)</td> <td>&lt; 2.5 mΩ</td> </tr> </table> | 内导体 (Center contact) | < 5.0 mΩ | 外导体 (Outer contact) | < 2.5 mΩ |
| 内导体 (Center contact)                   | < 5.0 mΩ   |                      |          |                     |          |
| 外导体 (Outer contact)                    | < 2.5 mΩ   |                      |          |                     |          |
| 绝缘电阻 (Insulation resistance)           | > 1000 MΩ  |                      |          |                     |          |
| 插入损耗 (Insertion loss)                  | 0.1√F (GHz) dB MAX   |                      |          |                     |          |
| 射频泄漏 (RF-leakage)                      | N/A  |                      |          |                     |          |
| 电压驻波比 (VSWR)                           | < 1.20   |                      |          |                     |          |
| 三阶互调 (3rd Intermodulation)             | N/A  |                      |          |                     |          |
| 环境参数 (ENVIRONMENTAL CHARACTERISTICS)   |  |                      |          |                     |          |
| 工作温度 (Temperature range)               | -40°C ~ +125°C   |                      |          |                     |          |

| 机械特性 (MECHANICAL CHARACTERISTICS)      |              |
|--|--------------|
| 中心针保持力 (Centercontact retention force) | 4 Lbs 焊接后    |
| 绝缘体保持力 (Insulator retention force)     | 2.3 Lbs      |
| 机械耐久性 (Durability)                     | ≥ 500 cycles |

| 3   | 中心针 | P12092-QB09-G1 | 1  |
|-----|-----|----------------|----|
| 2   | 绝缘体 | I38047-QT20    | 1  |
| 1   | 主体  | B65065-DB50-G1 | 1  |
| NO. | 简称  | 零件料号           | 用量 |

深圳市鑫扬泽电子有限公司  
 HTTP://WWW.XYZPOGOPIN.COM  
 TEL:0755-28773277 FAX:0755-28891353

|        |            |             |        |   |              |          |                 |        |     |         |     |        |    |         |    |        |              |  |  |
|--------|------------|-------------|--------|---|--------------|----------|-----------------|--------|-----|---------|-----|--------|----|---------|----|--------|--------------|--|--|
| SCALE: | N/A        | UNIT:       | mm     | THE UNMARKED TOLERANCE ARE AS BELOW :   | DESIGNED BY: | DWG. NO. | YZ140865093T-01 |        |     |         |     |        |    |         |    |        |              |  |  |
| SHEET: | 1 of 1     | PROJECTION: |        | LENGTH  | CHECKED BY:  | TITLE:   | 插件连接器           |        |     |         |     |        |    |         |    |        |              |  |  |
| DATE:  | 2017.06.30 | VER.        | D.0    | <table border="1"> <tr> <td>X.XX</td> <td>±0.05mm</td> <td>X.XX</td> <td>±0.50°</td> </tr> <tr> <td>X.X</td> <td>±0.10mm</td> <td>X.X</td> <td>±1.00°</td> </tr> <tr> <td>X.</td> <td>±0.20mm</td> <td>X.</td> <td>±2.00°</td> </tr> </table> | X.XX         | ±0.05mm  | X.XX            | ±0.50° | X.X | ±0.10mm | X.X | ±1.00° | X. | ±0.20mm | X. | ±2.00° | APPROVED BY: |  |  |
| X.XX   | ±0.05mm    | X.XX        | ±0.50° |   |              |          |                 |        |     |         |     |        |    |         |    |        |              |  |  |
| X.X    | ±0.10mm    | X.X         | ±1.00° |   |              |          |                 |        |     |         |     |        |    |         |    |        |              |  |  |
| X.     | ±0.20mm    | X.          | ±2.00° |   |              |          |                 |        |     |         |     |        |    |         |    |        |              |  |  |