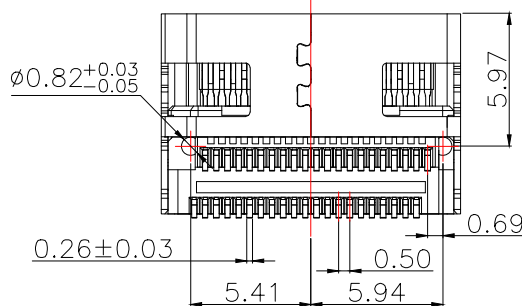
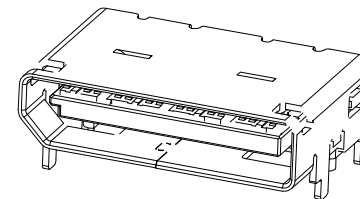
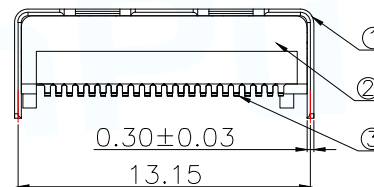
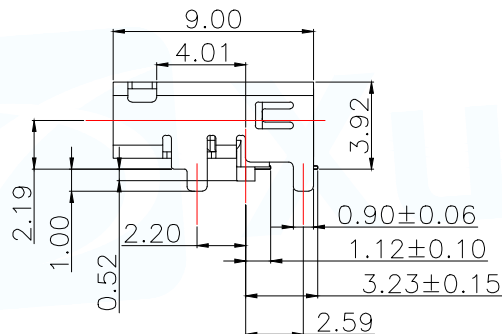
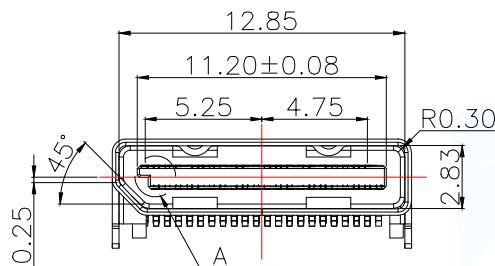


NOTES:
 1.MATERIAL:
 HOUSING: HIGH TEMPERATURE THERMOPLASTIC 94V-0, BLACK COLOR
 TERMINAL: COPPER ALLOY
 SHELL: STAINLESS STEEL
 2.PLATING:
 TERMINAL:
 SELECTIVE Au (SEE ORDER INFORMATION) ON CONTACT AREA,
 MATTE TIN ON SOLDER TAIL AREA, BOTH OVER Ni UNDERPLATED.
 SHELL:
 SOLDERABLE Ni PLATED OVERALL.
 3.MECHANICAL CHARACTERISTICS
 3-1.INSERTION FORCE: 8~40N W/ PASSIVE LATCH.
 3-2.INSERTION FORCE: 8~40N W/ ACTIVE LATCH.
 3-3.DURABILITY: 50 MATING CYCLES INTERNAL ONLY.
 3-4.OPERATING TEMPERATURE:-25°C TO +60°C INTERNAL ONLY
 4.PACKING: TAPE & REEL

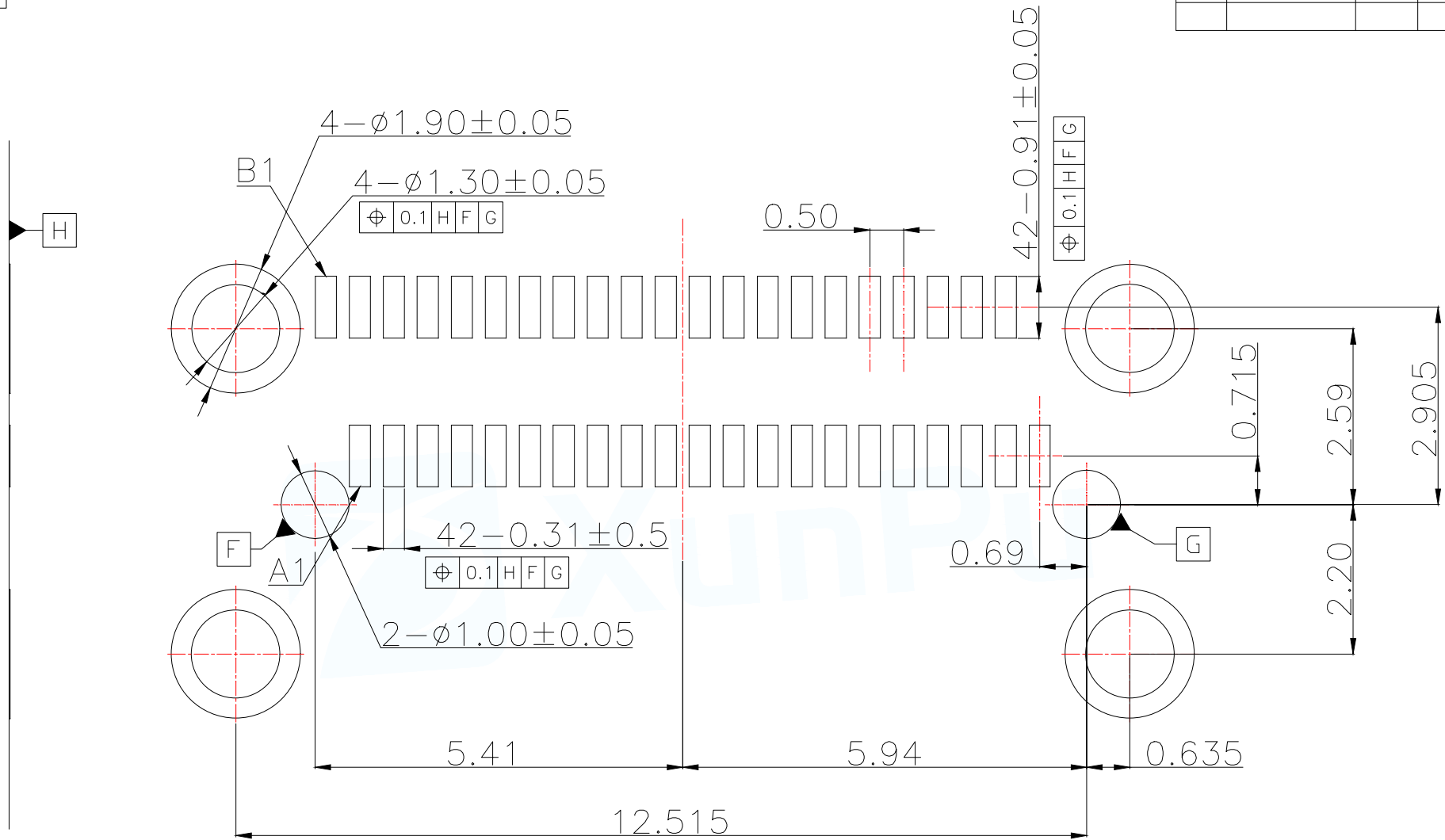


Row offset--no pin this side	NA	2nd	B1	RESERVED
A1	Power	2nd	1st	B2 GND
A2	VBus	1st	2nd	B3 PETp0
A3	PERp0	2nd	2nd	B4 PETn0
A4	PERn0	2nd	1st	B5 GND
A5	GND	1st	2nd	B6 PETp1
A6	PERp1	2nd	2nd	B7 PETn1
A7	PERn1	2nd	1st	B8 GND
A8	GND	1st	2nd	B9 2-WIRE CLOCK
A9	BP Type	2nd	2nd	B10 2-WIRE DATA
A10	CWAKE#	2nd	1st	B11 GND
A11	GND	1st	2nd	B12 PERST#
A12	VSP	2nd	2nd	B13 CPRSNT#
A13	VSP	2nd	1st	B14 GND
A14	GND	1st	2nd	B15 PETp2
A15	PERp2	2nd	2nd	B16 PETn2
A16	PERn2	2nd	1st	B17 GND
A17	GND	1st	2nd	B18 PETp3
A18	PERp3	2nd	2nd	B19 PETn3
A19	PERn3	2nd	1st	B20 GND
A20	GND	1st	2nd	B21 Power
A21	RESERVED	2nd	NA	Row offset--no pin this side
PIN	DESCRIPTION	MATING SEQUENCE	PIN	SIGNAL NAME

3	CONTACT	42	NI COPPER	50u"MIN:NICKEL PLATING OVERALL 50u"MIN:TIN PLATING ON SOLDER AREA PLATING ON CONTACT AREA AS PRODUCT NO. MATRIX
2	HOUSING	1	LCP	UL94V-0 COLOR:BLACK
1	SHELL	1	STAINLESS STEEL	SOLDERABLE 50u" Ni PLATED OVERALL. FINISH
ITEM DESCRIPTION		Q'TY	MATERIAL	FINISH
MANUFACTURE DWG				东莞市讯普电子科技有限公司 DongGuan XunPu Electronics Co.,Ltd
UNLESS OTHERWISE SPECIFIED TOLERANCES				
DECIMALS:		ANGLES:		TITLE: Oculink 4i 42p connector PAR LDN2423-17CT0-7H-XP DWN Lucas CHKD Ethan APVD Jacob
.X:±0.25		X.':±3'		
.XX:±0.20		X.X':±2'		
.XXX:±0.15		X.XX':±1'		SCALE:1:1 UNIT:MM
CUSTOMER COPY				SIZE:A4 SHEET:1F1 REV:A

x4 FIXED INTERNAL CONNECTOR(ROOT)

MAPX	MODIFICATION	DATE	DRAW	APPROVE



RECOVENDED PCB LAYOUT

MANUFACTURE DWG			 东莞市讯普电子科技有限公司 DongGuan XunPu Electronics Co.,Ltd	
UNLESS OTHERWISE SPECIFIED TOLERANCES			TITLE: Oculink 4i 42p connector	
DECIMALS:	ANGLES:	PAR	LDN2423-17CT0-7H-XP	
.X:±0.25	X.:±3°	DWN	Lucas	
.XX:±0.20	X.X':±2°	CHKD	Ethan	
.XXX:±0.15	X.XX':±1°	APVD	Jacob	
CUSTOMER COPY		SCALE:1:1	UNIT:MM	
		SIZE:A4	SHEET:1F1	REV:A