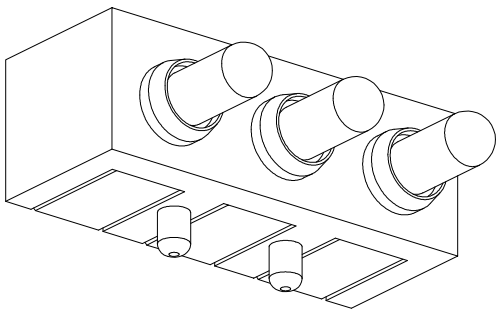
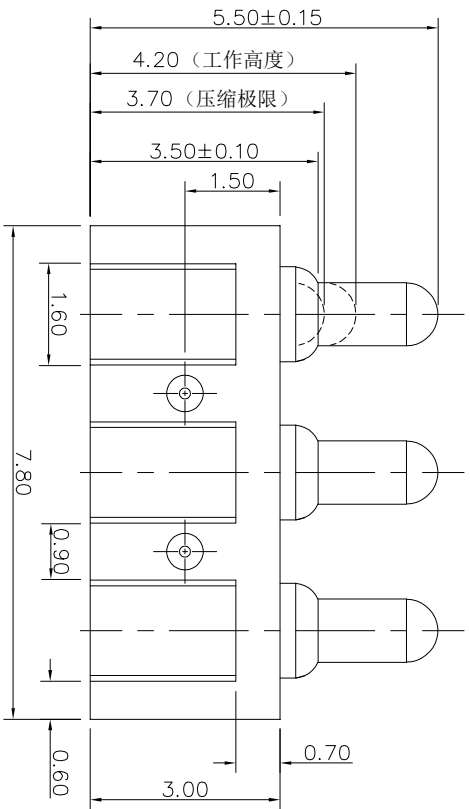
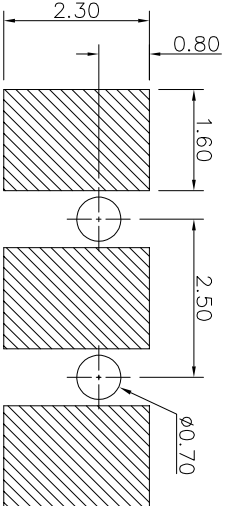
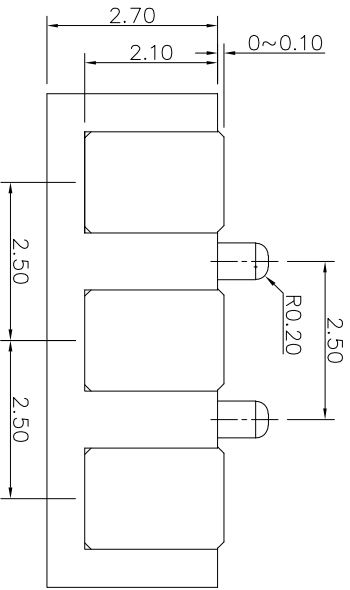


客户图

NO.	ECN NO.	DESCRIPTION	DATE
-----	---------	-------------	------



- Note:
- 1: Material (材料) :
 Housing: PA46+30%GF (胶芯: PA46)
 Barrel: Brass C3604 (针管: 黄铜 C3604)
 Plunger: Brass C3604 (针头: 黄铜 C3604)
 Spring: SUS304 (弹簧: SUS304)
 - 2: Plating (电镀) :
 Barrel: 3u' Au over 50~80u' Ni (针管: 镀金3u', 镍底50~80u'。)
 Plunger: 3u' Au over 50~80u' Ni (针头: 镀金3u', 镍底50~80u'。)
 Spring: No plated (弹簧: 不电镀)
 - 3: Electrical (电气特性) :
 Rated Current & Voltage: DC 12V; 1A (额定电压&电流: 直流12V, 1A)
 Contact Resistance: 50 mohm Max. at working height.
 接触电阻: 最大50毫欧 (在工作高度状态下)
 Insulation Resistance: 1,000MΩ minimum. (绝缘电阻: 1,000MΩ以上)
 Dielectric Withstand Voltage: 500VAC/minute. (抗击电压: 500VAC/minute)
 - 4: Mechanical (机械性能) :
 Force: 120g±20% at working height. (120g±20%在工作高度)。
 Durability: 10,000 cycles (min) (寿命: 10000次)
 - 5: Work Temperature (工作环境) :
 Withstanding Higt Temperature: 280°C
 Operational Temperature: - 20°C ~ + 70°C



RECOMMENDED PCB LAYOUT

深圳市鑫探技术有限公司

HTTP://WWW.XYZPOGOPIN.COM
 TEL: 0755-28773277 FAX: 0755-28891353



SCALE:	N/A	UNIT	mm
SHEET:	1 of 1	PROJECTION	第一角
DATE:	2026.4.11	VER.	A.0

THE UNMARKED TOLERANCE ARE AS BELOW :

LENGTH	ANGLE
XXX ±0.05mm	X.XX ±0.50°
XX ±0.10mm	XX ±1.00°
X ±0.20mm	X ±2.00°

DESIGNED BY:	DWG. NO. YZ10515055F-03025-01
CHECKED BY:	TITLE: Pogo pin 连接器
APPROVED BY:	