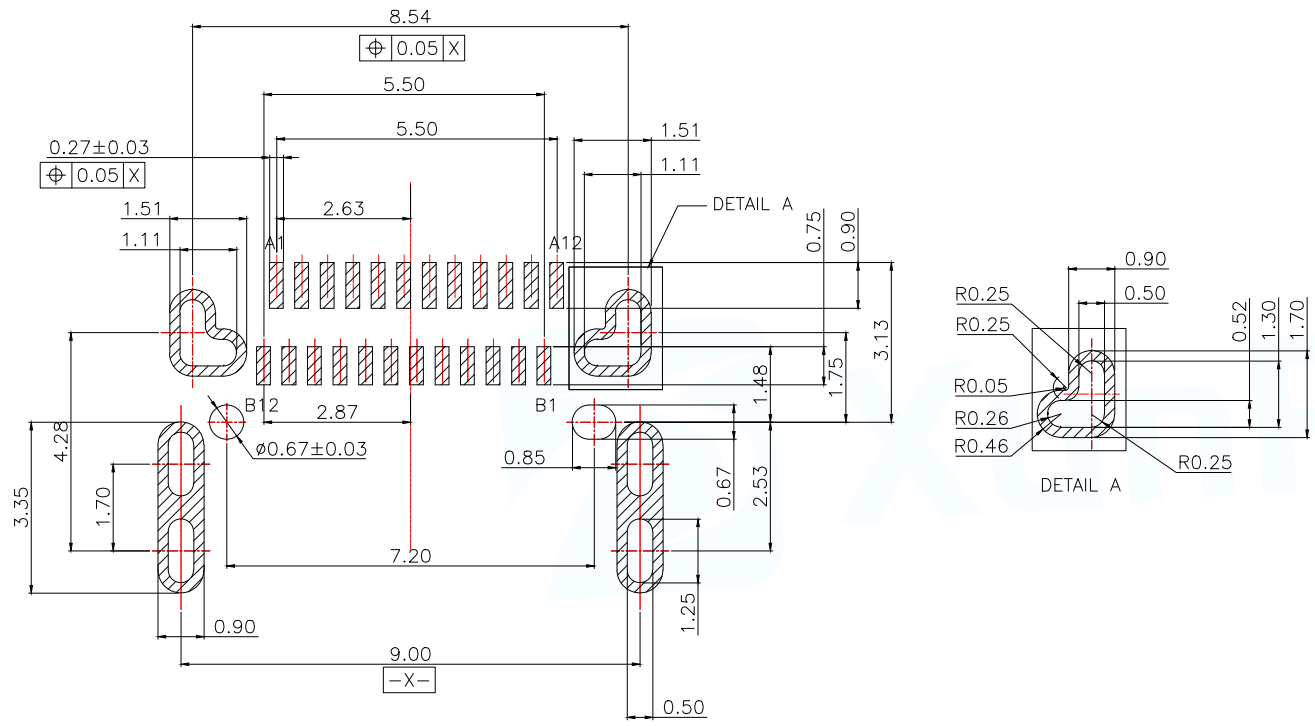


MANUFACTURE DWG		东莞市讯普电子科技有限公司 DongGuan XunPu Electronics Co., Ltd	
UNLESS OTHERWISE SPECIFIED TOLERANCES		TITLE: USB CF 24P SMT TYPE TOP-MOUNT CH=1.8mm	
		PAR	TYPE-C-720A-WSCL820
		DWN	Lucas
		CHKD	Ethan
		APVD	Jacob
		SCALE: 1:1	UNIT: MM
DECIMALS:	ANGLES:	SIZE: A4	SHEET: 1F3
X.: $\pm 0.30$	X': $\pm 10'$	CUSTOMER COPY	REV: A
X.X: $\pm 0.20$	X.X': $\pm 8'$		
X.XX: $\pm 0.10$	X.XX': $\pm 5'$		



MAPX	MODIFICATION	DATE	DRAW	APPROVE



SCALE 2:1

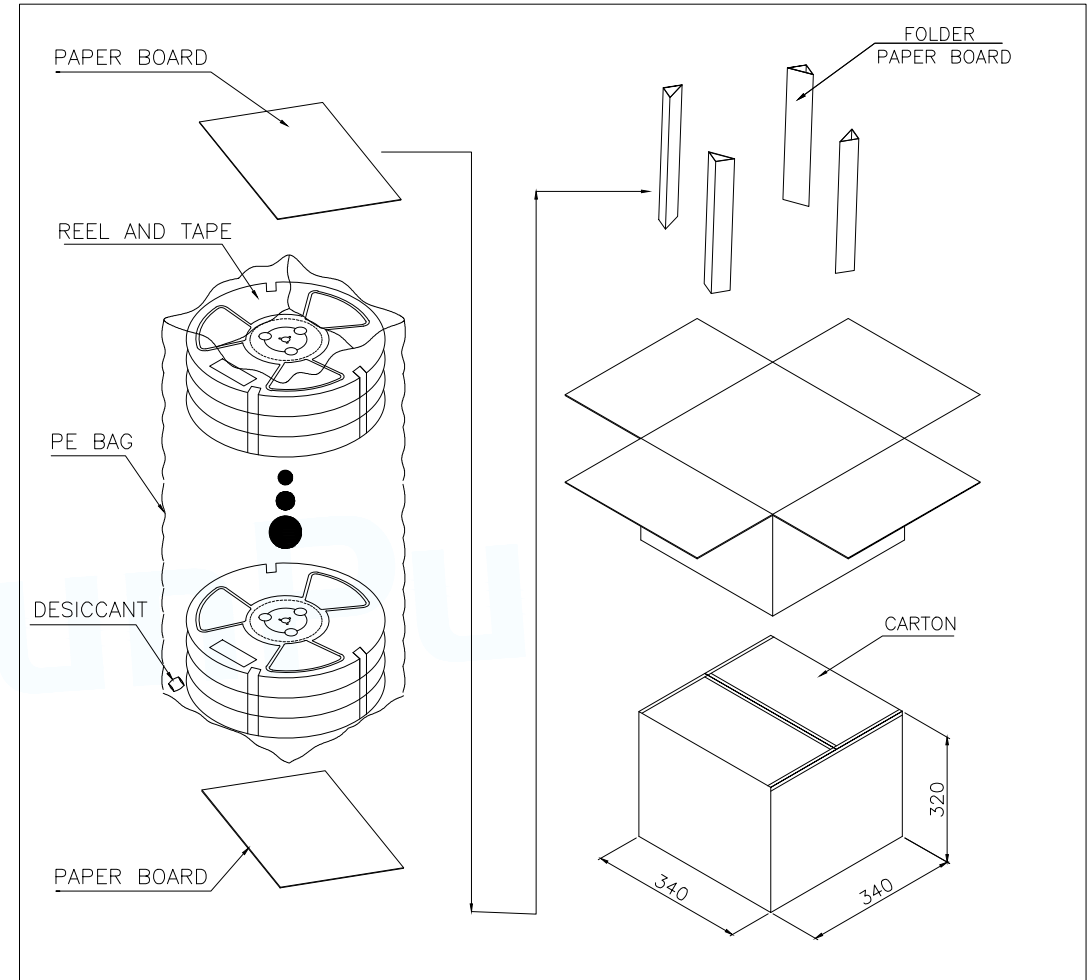
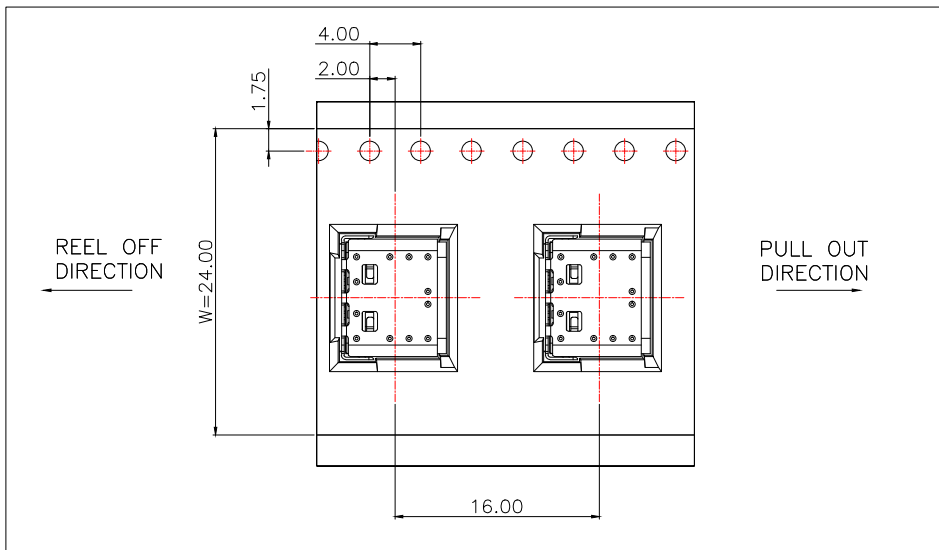
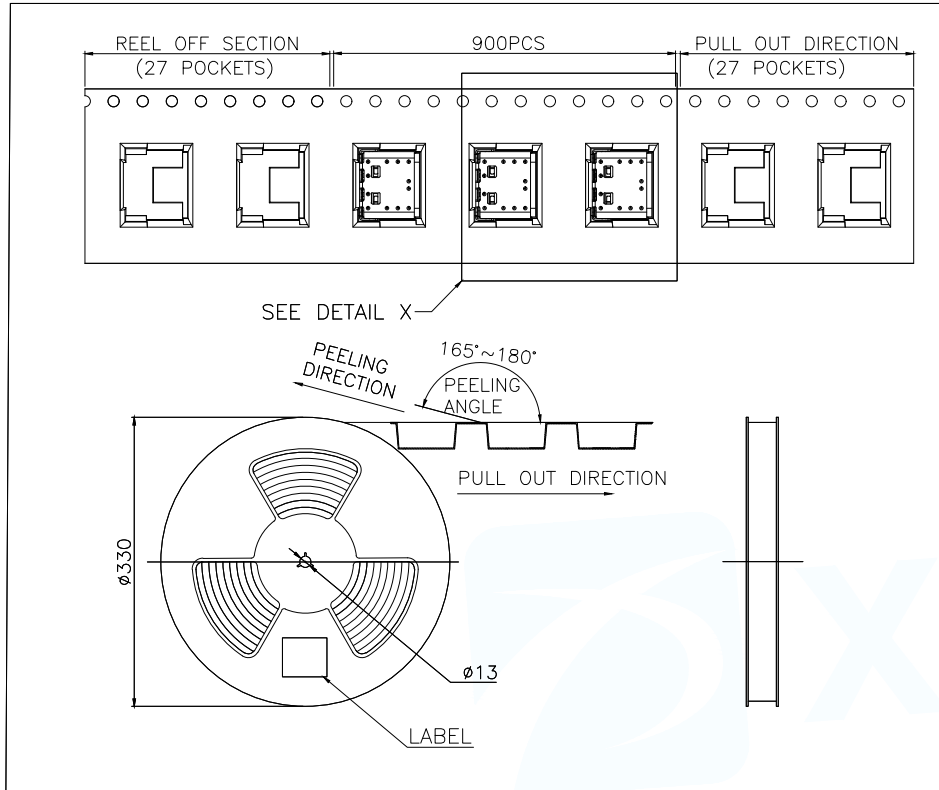
RECOMMENDED PCB LAYOUT(TOP VIEW)  
Thickness 1.0mm (TOLERANCE=±0.05mm)



- NOTE:
- MATERIAL SPECIFICATION:
    - HOUSING:HIGH TEMPERATURE RESISTANT PLASTIC,UL94 V-0(LCP,BLACK)
    - TERMINAL:COPPER ALLOY(C18150)
    - MID PLATE: STAINLESS STEEL(SUS301)
    - OUT SHELL: STAINLESS STEEL(SUS304)
    - INNER SHELL: STAINLESS STEEL(SUS304)
  - PLATING SPECIFICATION:
    - CONTACTS:
      - Ni 50u" MIN. UNDER PLATED OVER ALL.
      - Au 3u" PLATED ON CONTACT AREA.
      - Au 1u" PLATED ON SOLDER AREA.
    - OUT SHELL&INNER SHELL:
      - Ni 30u" MIN. UNDER PLATED OVER ALL.
    - MID PLATE:
      - Ni 30u" MIN. UNDER PLATED OVER ALL.
  - MECHANICAL PERFORMANCE,
    - INSERTION FORCE: 0.5~2.0kgf.
    - REMOVAL FORCE: 0.8kgf~2.0kgf.(INITIAL)  
0.6kgf~2.0kgf.(AFTER DURABILITY TEST)
    - DURABILITY: 10000 CYCLES.
  - ELECTRICAL PERFORMANCE,
    - VOLTAGE RATING: 20V.  
CURRENT RATING: 5A.
    - LLCR:
      - VBUS & GND PINS AND OTHER PINS: 40mA/PIN MAX.  
LLCR MAX. CHANGE OF ALL PINS: 10mA.
      - INSULATION RESISTANCE: 100MΩ MIN
      - DIELECTRIC WITHSTAND VOLTAGE,AC 100V FOR 1 MINUTE.
  - ENVIRONMENTAL PERFORMANCE:
    - OPERATING TEMPERATURE: -55°C~+85°C.
  - IR REFLOW:
    - THE PEAK TEMPERATURE ON THE BOARD SHALL BE MAINTAINED FOR 10 SECONDS AT 260°C.

USB TYPE-C PIN ASSIGNMENTS

A1	A2	A3	A4	A5	A6	A7	A8	A9	A10	A11	A12
GND	TXp1	TXn1	VBUS	CC1	D+	D-	SBU1	VBUS	RXn2	RXp2	GND
GND	RXp1	RXn1	VBUS	SBU2	D-	D+	CC2	VBUS	TXn2	TXp2	GND
B12	B11	B10	B9	B8	B7	B6	B5	B4	B3	B2	B1

MANUFACTURE DWG		东莞市讯普电子科技有限公司 DongGuan XunPu Electronics Co.,Ltd	
UNLESS OTHERWISE SPECIFIED TOLERANCES			TITLE:USB CF 24P SMT TYPE TOP-MOUNT CH=1.8mm
			PAR TYPE-C-720A-WSCL820
DECIMALS:	ANGLES:		DWN Lucas
X.:±0.30	X.':±10'		CHKD Ethan
X.X:±0.20	X.X':±8'		APVD Jacob
X.XX:±0.10	X.XX':±5'	CUSTOMER COPY	SCALE1:1 UNIT:MM
		SIZE:A4	SHEET:2F3
			REV:A



		REEL	CARTON
CONNECTOR (PCS)		900	9000
MANUFACTURE DWG		 东莞市讯普电子科技有限公司 DongGuan XunPu Electronics Co.,Ltd	
UNLESS OTHERWISE SPECIFIED TOLERANCES		 TITLE:USB CF 24P SMT TYPE TOP-MOUNT CH=1.8mm PAR      TYPE-C-720A-WSCL820 DWN      Lucas CHKD      Ethan APVD      Jacob SCALE:1:1      UNIT:MM X.XX:±0.10      X.XX*:±5*      CUSTOMER COPY      SIZE:A4      SHEET:3F3      REV:A	
DECIMALS:	ANGLES:		
X.:±0.30	X':±10°		
X.X:±0.20	X.X':±8°		
X.XX:±0.10	X.XX*:±5°		