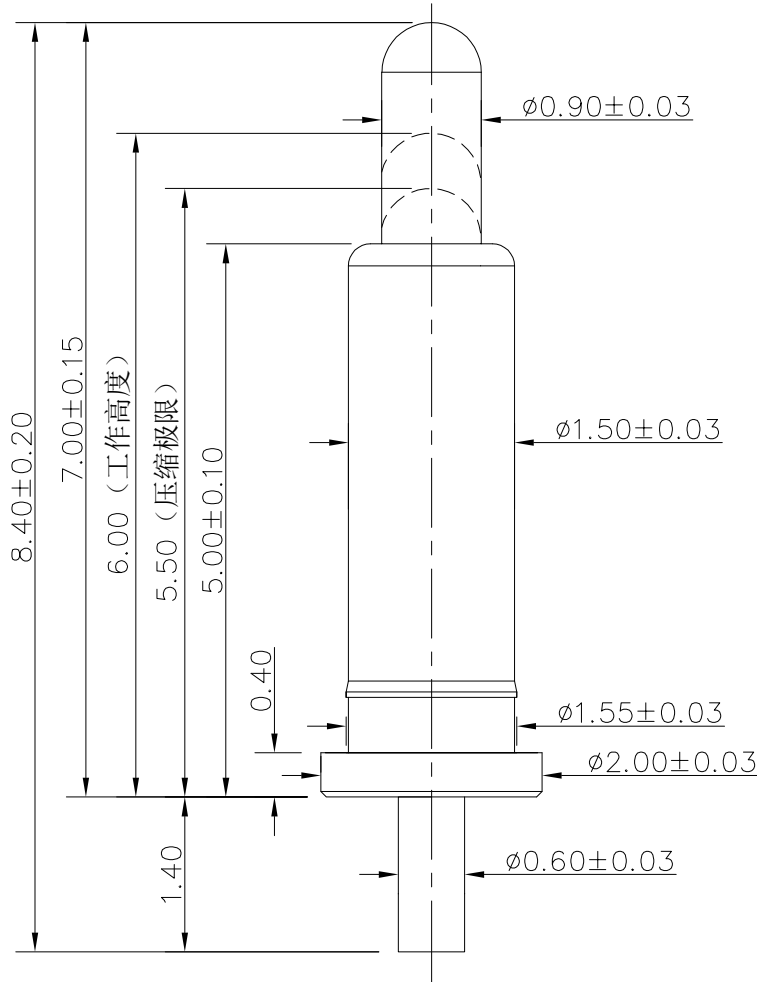


NO.	ECN NO.	DESCRIPTION	DATE
1			

# 客户图



## Note:

### 1: Material(材料):

Barrel: Brass C3604 (针管: 黄铜 C3604)

Plunger: Brass C3604 (针头: 黄铜 C3604)

Spring: SUS304 (弹簧: SUS304)

### 2: Plating(电镀):

Barrel: 3u' Au over 50~80u' Ni (针管: 镀金3u', 镍底50~80u'.)

Plunger: 3u' Au over 50~80u' Ni (针头: 镀金3u', 镍底50~80u'.)

Spring: No plated (弹簧: 不电镀)

### 3: Electrical(电气特性):

Rated Current & Voltage: DC 12V;2A (额定电压&电流: 直流12V,2A)

Contact Resistance: 50 mohm Max. at working height.

接触电阻: 最大50毫欧 (在工作高度状态下)

### 4: Mechanical(机械性能):

Force: 120g $\pm$ 20% at working height. (120g $\pm$ 20% 在工作高度)。

Durability: 10.000 cycles(min) (寿命: 10000次)

### 5: WorkTemperture(工作环境):

Withstanding Higt Temperature: 280°C

Operational Temperature: -40°C ~ +85°C

深圳市鑫探技术有限公司

HTTP://WWW.XYZPOGOPIN.COM

TEL:0755-28773277 FAX:0755-28891353



SCALE:	N/A	UNIT	mm
SHEET:	1 of 1	PROJECTION	
DATE:	2024.7.23	VER.	D.0

THE UNMARKED TOLERANCE ARE AS BELOW :

LENGTH		ANGLE	
X.XX	$\pm 0.05$ mm	X.XX	$\pm 0.50^\circ$
X.X	$\pm 0.10$ mm	X.X	$\pm 1.00^\circ$
X.	$\pm 0.20$ mm	X.	$\pm 2.00^\circ$

DESIGNED BY:		DWG. NO.	YZ186915084P-04
CHECKED BY:		TITLE:	Pogo pin
APPROVED BY:			