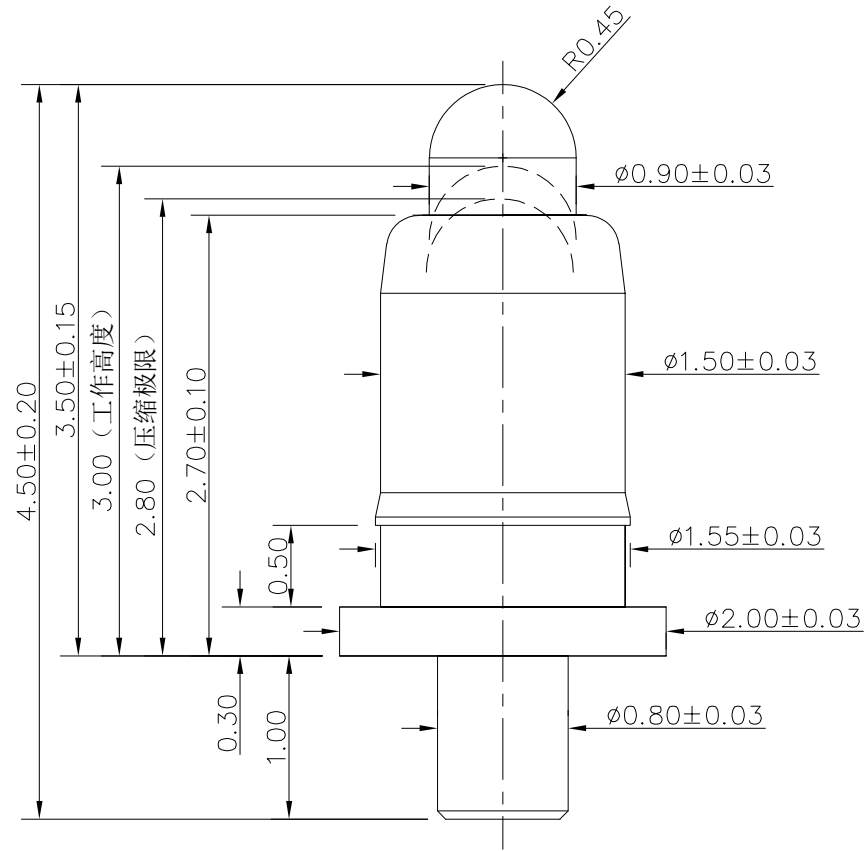


# 客户图

| NO. | ECN NO. | DESCRIPTION | DATE |
|-----|---------|-------------|------|
|     |         |             |      |



## Note:

- Material(材料):  
 Barrel: Brass C3604 (针管: 黄铜 C3604)  
 Plunger: Brass C3604 (针头: 黄铜 C3604)  
 Spring: SUS304 (弹簧: SUS304)
- Plating(电镀):  
 Barrel: 3u' Au over 50~80u' Ni (针管: 镀金3u', 镍底50~80u'.)  
 Plunger: 3u' Au over 50~80u' Ni (针头: 镀金3u', 镍底50~80u'.)  
 Spring: No plated (弹簧: 不电镀)
- Electrical(电气特性):  
 Rated Current & Voltage: DC 12V;1A (额定电压&电流: 直流12V,1A)  
 Contact Resistance: 50 mohm Max. at working height.  
 接触电阻: 最大50毫欧 (在工作高度状态下)
- Mechanical(机械性能):  
 Force: 50g±20% at working height. (50g±20% 在工作高度)。  
 Durability: 10.000 cycles(min) (寿命: 10000次)
- WorkTemperture(工作环境):  
 Withstanding Higt Temperature: 280℃  
 Operational Temperature: -20℃~ +70℃

深圳市鑫扬泽电子有限公司



HTTP://WWW.XYZPOGOPIN.COM

TEL:0755-28773277 FAX:0755-28891353

|        |            |            |     |
|--------|------------|------------|-----|
| SCALE: | N/A        | UNIT       | mm  |
| SHEET: | 1 of 1     | PROJECTION |     |
| DATE:  | 2017.11.30 | VER.       | D.0 |

THE UNMARKED TOLERANCE ARE AS BELOW :

| LENGTH |         | ANGLE |        |
|--------|---------|-------|--------|
| X.XX   | ±0.05mm | X.XX  | ±0.50° |
| X.X    | ±0.10mm | X.X   | ±1.00° |
| X.     | ±0.20mm | X.    | ±2.00° |

|              |  |          |                |
|--------------|--|----------|----------------|
| DESIGNED BY: |  | DWG. NO. | YZ13915045P-01 |
| CHECKED BY:  |  | TITLE:   | Pogo pin连接器    |
| APPROVED BY: |  |          |                |