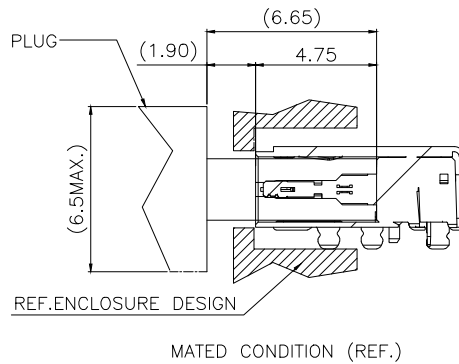
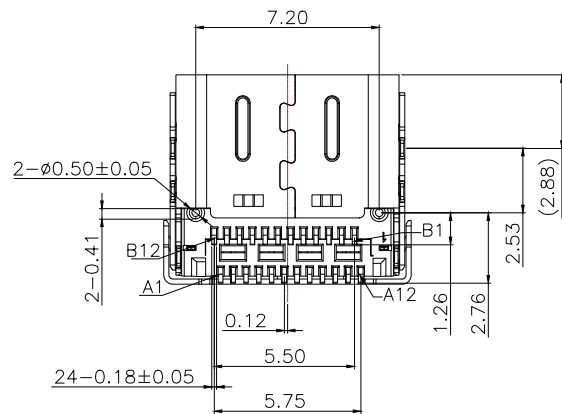
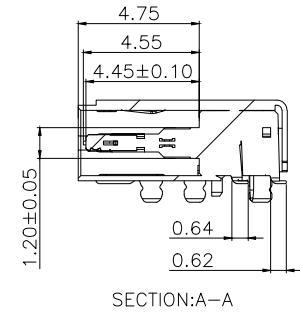
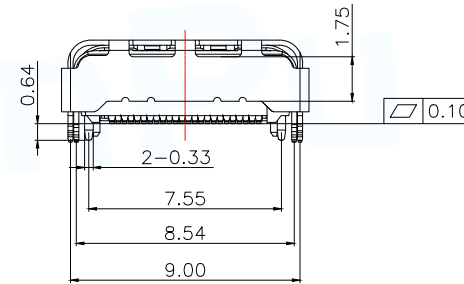
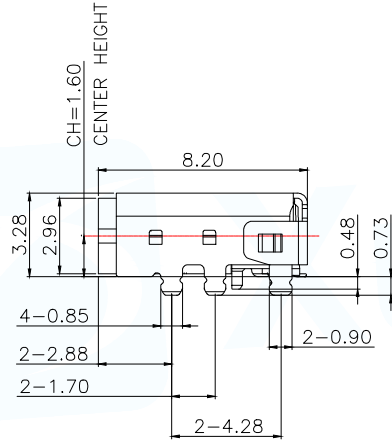
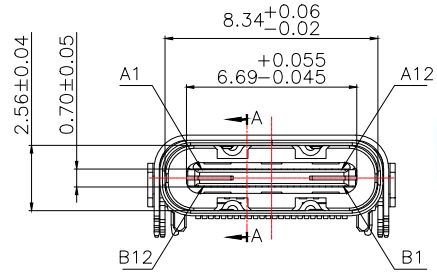
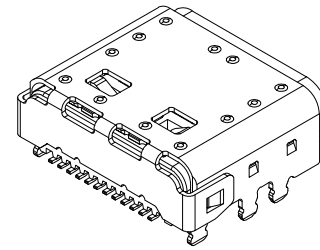
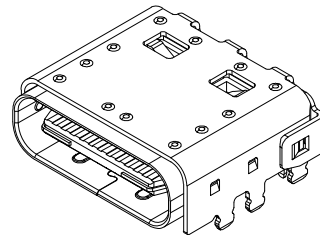
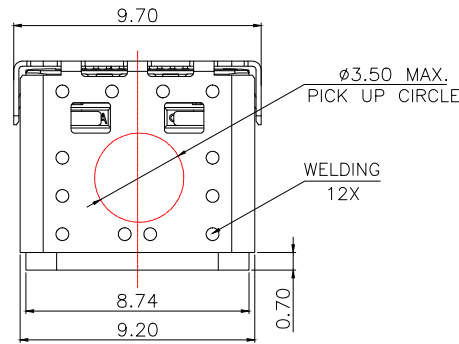
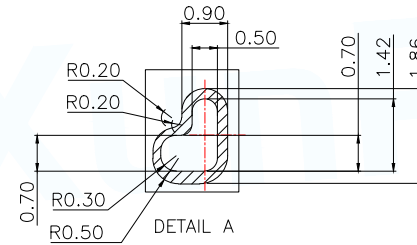
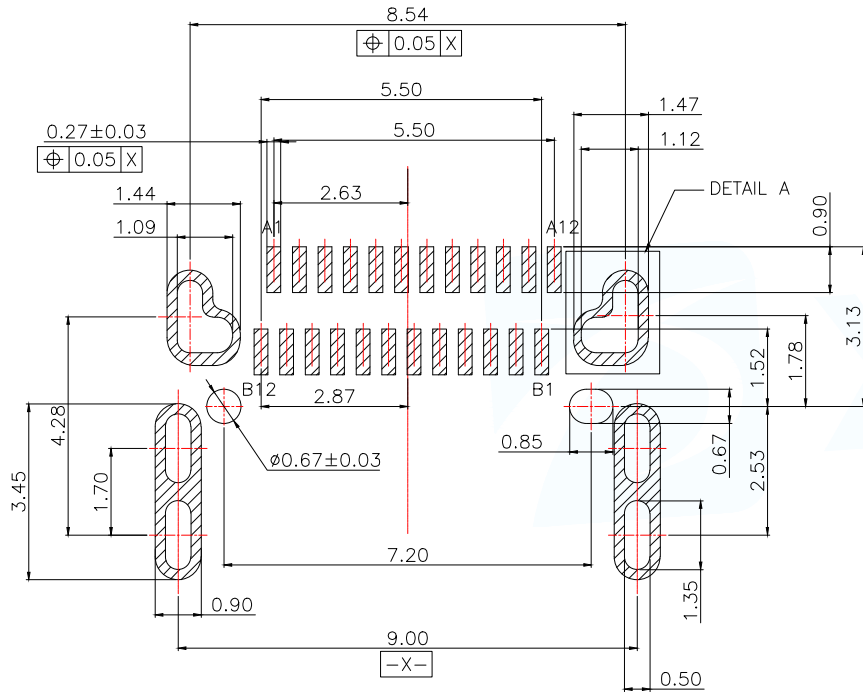


12	13	14	15
MAPX	MODIFICATION	DATE	DRAW
			APPROVE



MANUFACTURE DWG		东莞市讯普电子科技有限公司 DongGuan XunPu Electronics Co., Ltd	
UNLESS OTHERWISE SPECIFIED TOLERANCES		TITLE: USB CF 24P SMT TYPE TOP-MOUNT CH=1.6mm	
		PAR	TYPE-C-720-WSCL820
		DWN	Lucas
		CHKD	Ethan
		APVD	Jacob
		SCALE: 1:1	UNIT: MM
		SIZE: A4	SHEET: 1F3
DECIMALS:	ANGLES:		
.X: $\pm 0.30$	X.' : $\pm 10'$	CUSTOMER COPY	
.XX: $\pm 0.20$	X.X' : $\pm 8'$	REV: A	
.XXX: $\pm 0.10$	X.XX' : $\pm 5'$		



- NOTE:
- MATERIAL SPECIFICATION:
    - HOUSING: HIGH TEMPERATURE RESISTANT PLASTIC, UL94 V-0 (LCP, BLACK)
    - TERMINAL: COPPER ALLOY (C18150)
    - MID PLATE: STAINLESS STEEL (SUS301)
    - OUT SHELL: STAINLESS STEEL (SUS304)
    - INNER SHELL: STAINLESS STEEL (SUS304)
  - PLATING SPECIFICATION:
    - CONTACTS:
      - Ni 50u" MIN. UNDER PLATED OVER ALL.
      - Au 3u" PLATED ON CONTACT AREA.
      - Au 1u" PLATED ON SOLDER AREA.
    - OUT SHELL & INNER SHELL:
      - Ni 30u" MIN. UNDER PLATED OVER ALL.
    - MID PLATE:
      - Ni 30u" MIN. UNDER PLATED OVER ALL.
  - MECHANICAL PERFORMANCE:
    - INSERTION FORCE: 0.5~2.0kgf.
    - REMOVAL FORCE: 0.8kgf~2.0kgf. (INITIAL)  
0.6kgf~2.0kgf. (AFTER DURABILITY TEST)
    - DURABILITY: 10000 CYCLES.
  - ELECTRICAL PERFORMANCE:
    - VOLTAGE RATING: 20V.  
CURRENT RATING: 5A.
    - LLCR:
      - VBUS & GND PINS AND OTHER PINS: 40mA/PIN MAX.
      - LLCR MAX. CHANGE OF ALL PINS: 10mA.
    - INSULATION RESISTANCE: 100MΩ MIN
    - DIELECTRIC WITHSTAND VOLTAGE, AC 100V FOR 1 MINUTE.
  - ENVIRONMENTAL PERFORMANCE:
    - OPERATING TEMPERATURE: -55°C~+85°C.
  - IR REFLOW:
    - THE PEAK TEMPERATURE ON THE BOARD SHALL BE MAINTAINED FOR 10 SECONDS AT 260°C.

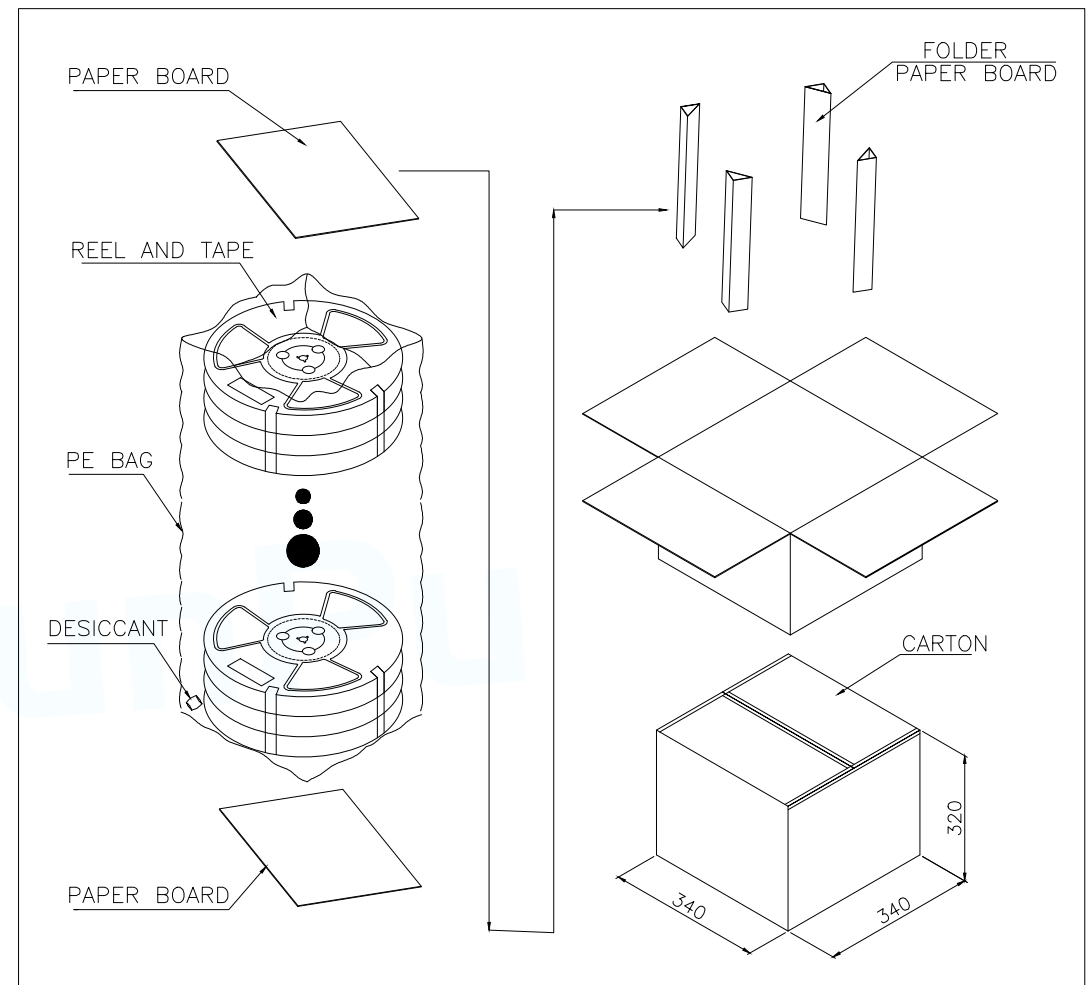
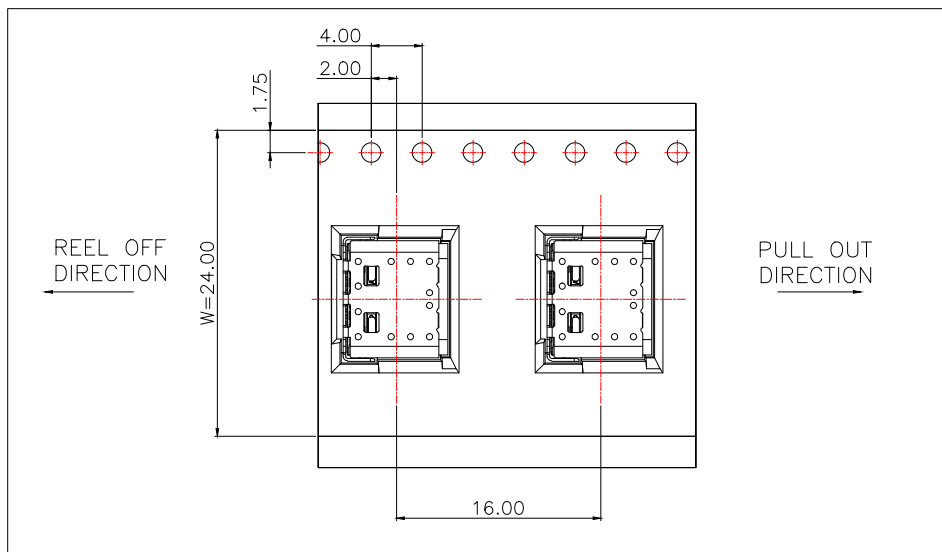
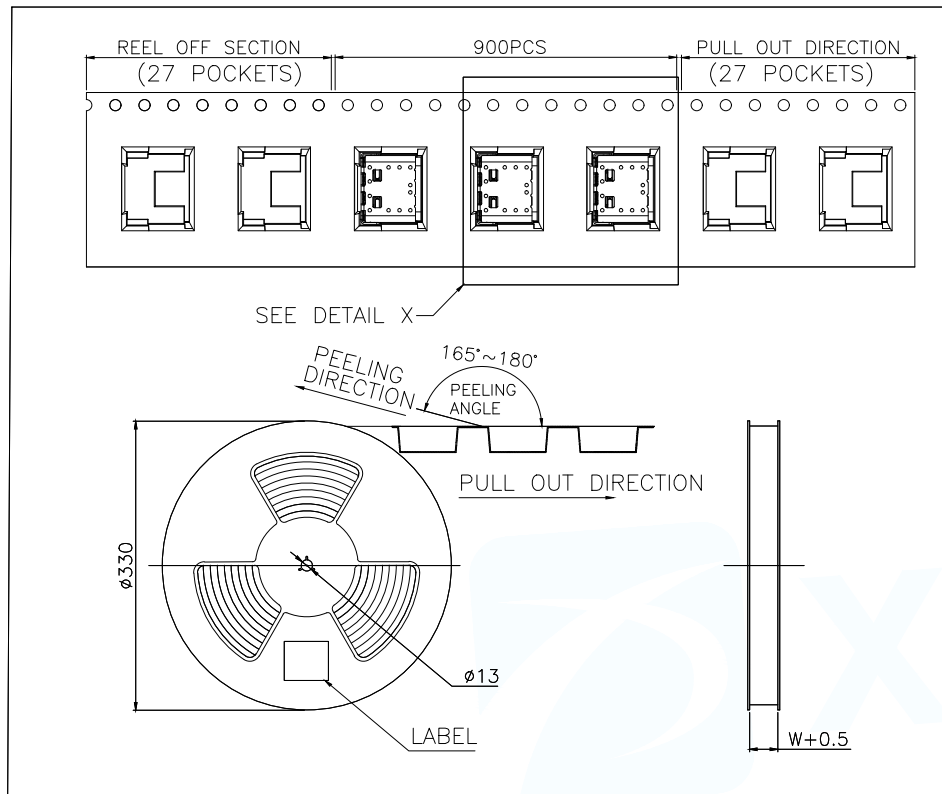
SCALE 2:1

RECOMMENDED PCB LAYOUT (TOP VIEW)  
Thickness 1.0mm (TOLERANCE = ±0.05mm)

USB TYPE-C PIN ASSIGNMENTS

A1	A2	A3	A4	A5	A6	A7	A8	A9	A10	A11	A12
GND	TXp1	TXn1	Vbus	CC1	D+	D-	SBU1	Vbus	RXn2	RXp2	GND
GND	RXp1	RXn1	Vbus	SBU2	D-	D+	CC2	Vbus	TXn2	TXp2	GND
B12	B11	B10	B9	B8	B7	B6	B5	B4	B3	B2	B1

MANUFACTURE DWG		东莞市讯普电子科技有限公司 DongGuan XunPu Electronics Co., Ltd	
UNLESS OTHERWISE SPECIFIED TOLERANCES			TITLE: USB CF 24P SMT TYPE TOP-MOUNT CH=1.6mm
DECIMALS:	ANGLES:		PAR TYPE-C-720-WSCL820
.X: ±0.30	X.' : ±10°		DWN Lucas
.XX: ±0.20	X.X' : ±8°		CHKD Ethan
.XXX: ±0.10	X.XX' : ±5°		APVD Jacob
CUSTOMER COPY		SCALE 1:1	UNIT: MM
		SIZE: A4	SHEET: 2F3
			REV: A



	REEL	CARTON
CONNECTOR (PCS)	900	9000
MANUFACTURE DWG	东莞市讯普电子科技有限公司 DongGuan XunPu Electronics Co.,Ltd	
UNLESS OTHERWISE SPECIFIED TOLERANCES	TITLE:USB CF 24P SMT TYPE TOP-MOUNT CH=1.6mm	
	PAR	TYPE-C-720-WSCL820
DECIMALS:	DWN	Lucas
ANGLES:	CHKD	Ethan
.X:±0.30	APVD	Jacob
.XX:±0.20	SCALE 1:1	UNIT:MM
.XXX:±0.10	SIZE:A4	SHEET:3F3
	CUSTOMER COPY	REV:A