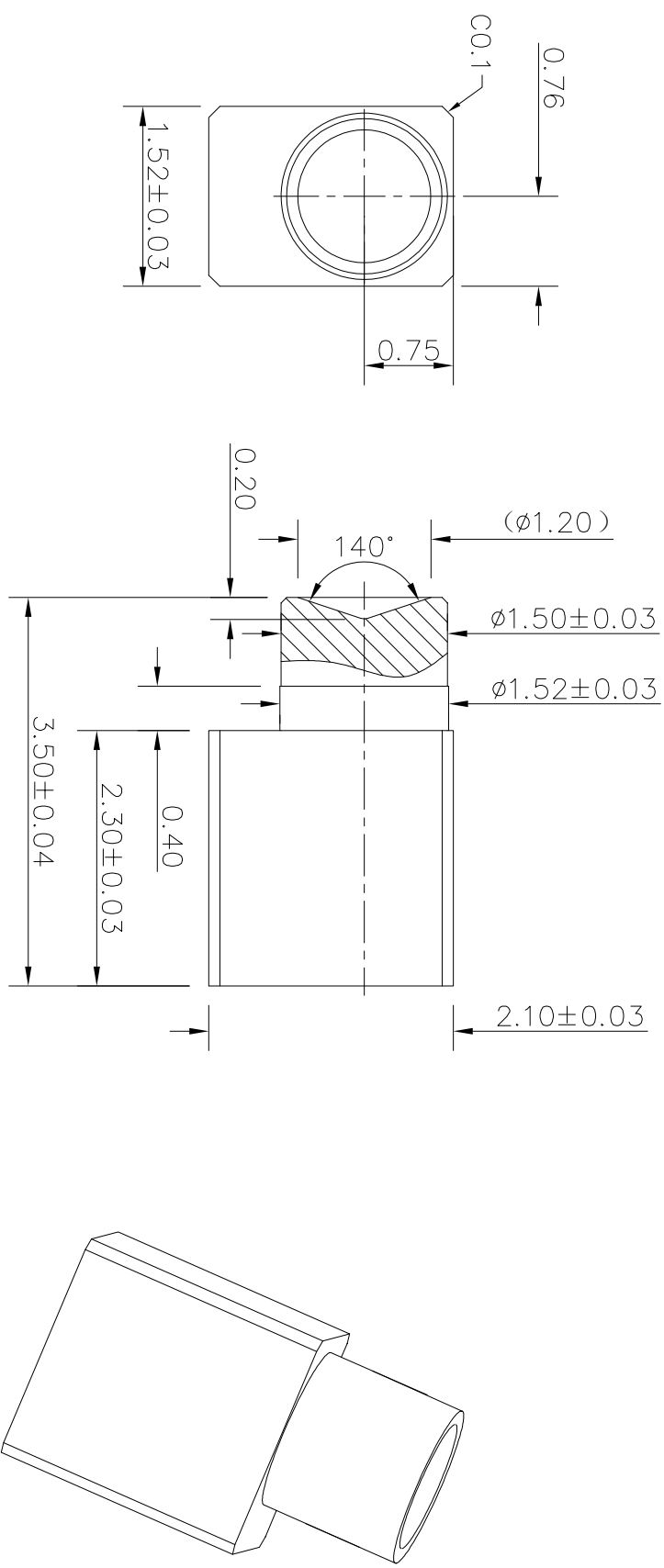


客户图

NO.	ECN NO.	DESCRIPTION	DATE
-----	---------	-------------	------



- 技术要求:**
- 1.材料: 黄铜 C3604
 - 2.不允许有批锋, 毛刺; 切断点最大不超过0.03mm。
 - 3.镀金1u', 镍底50~80u', 孔底须发亮。

深圳市鑫探技术有限公司

HTTP://WWW.XYZFOGOPIN.COM
TEL:0755-28773277 FAX:0755-28891353



SCALE:	N/A	UNIT:	mm	THE UNMARKED TOLERANCE ARE AS BELOW:		DESIGNED BY:	DWG. NO.	YZ126615035TF-G1
SHEET:	1 of 1	PROJECTION:	第一角投影	LENGTH:	ANGLE:	CHECKED BY:	TITLE:	端子
DATE:	2026.04.11	VER.:	D.0	±0.05mm	±0.50°	APPROVED BY:		
				±0.10mm	±1.00°			
				±0.20mm	±2.00°			