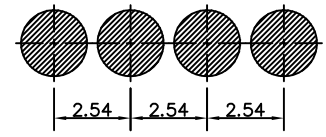
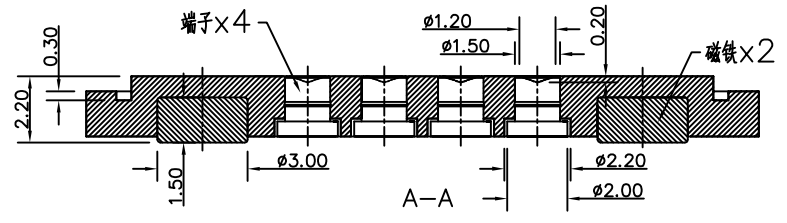
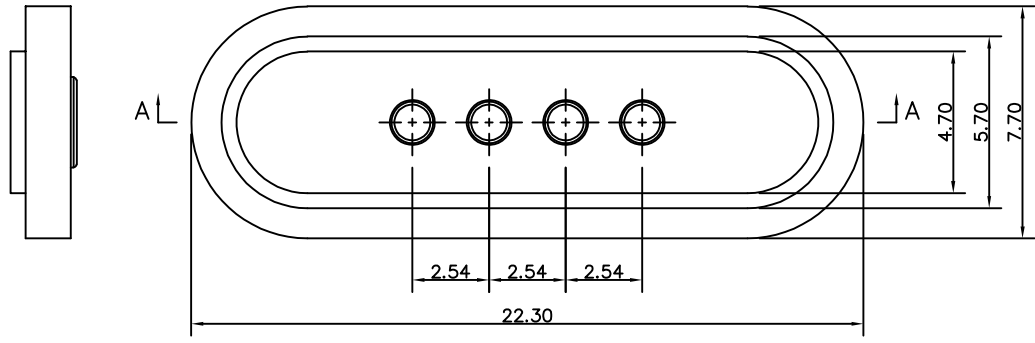
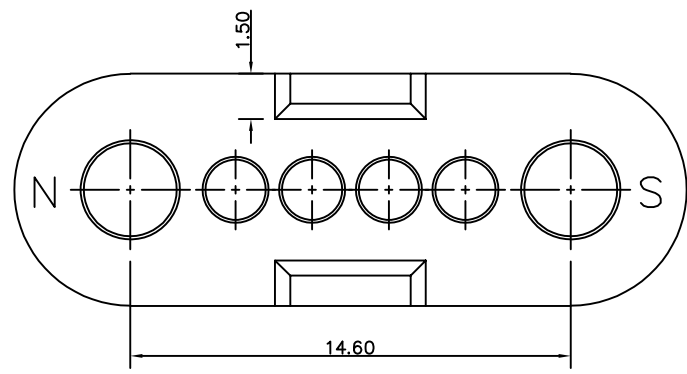
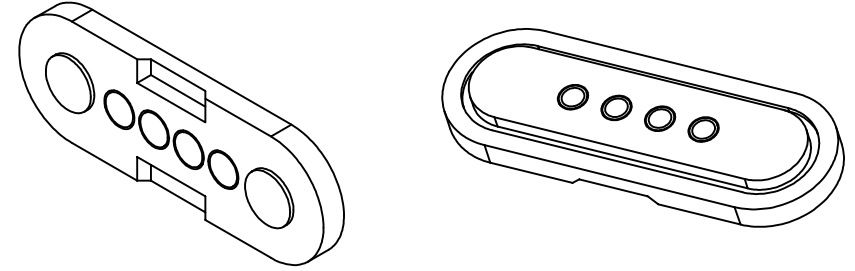
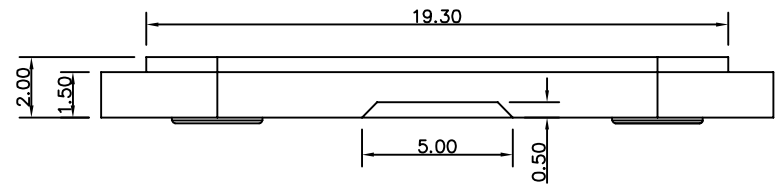


NO.	ECN NO.	DESCRIPTION	DATE



RECOMMENDED PCB LAYOUT



Note:

- Material(材料):
 Housing: PA46白色+30%GF (胶芯: PA46白色)
 Pin: Brass C3604 (针体: 黄铜 C3604)
 Magnet: samarium cobalt (磁铁: 钕钴磁铁)
- Plating(电镀):
 Pin: 3u' Au over 50~80u' Ni(针体: 镀金3u', 镍底50~80u'.)
 Magnet: Not electroplated (磁铁: 不电镀)
- Electrical(电气特性):
 Insulation Resistance: 1,000MΩ minimum. (绝缘电阻: 1,000MΩ以上)
 Dielectric Withstand Voltage: 500VAC/minute. (抗击电压: 500VAC/minute)
- WorkTemperture(工作环境):
 Withstanding High Temperature: 280℃
 Operational Temperature: -40℃~ +85℃

深圳市鑫扬泽电子有限公司



HTTP://WWW.XYZPOGOPIN.COM
 TEL:0755-28773277 FAX:0755-28891353

SCALE:	N/A	UNIT	mm
SHEET:	1 of 1	PROJECTION	
DATE:	2024.4.3	VER.	D.0

THE UNMARKED TOLERANCE ARE AS BELOW :			
LENGTH		ANGLE	
X.XX	±0.05mm	X.XX	±0.50°
X.X	±0.10mm	X.X	±1.00°
X.	±0.20mm	X.	±2.00°

DESIGNED BY:		DWG. NO.	YZ103915020T-04025-07
CHECKED BY:		TITLE:	Pogo pin连接器
APPROVED BY:			