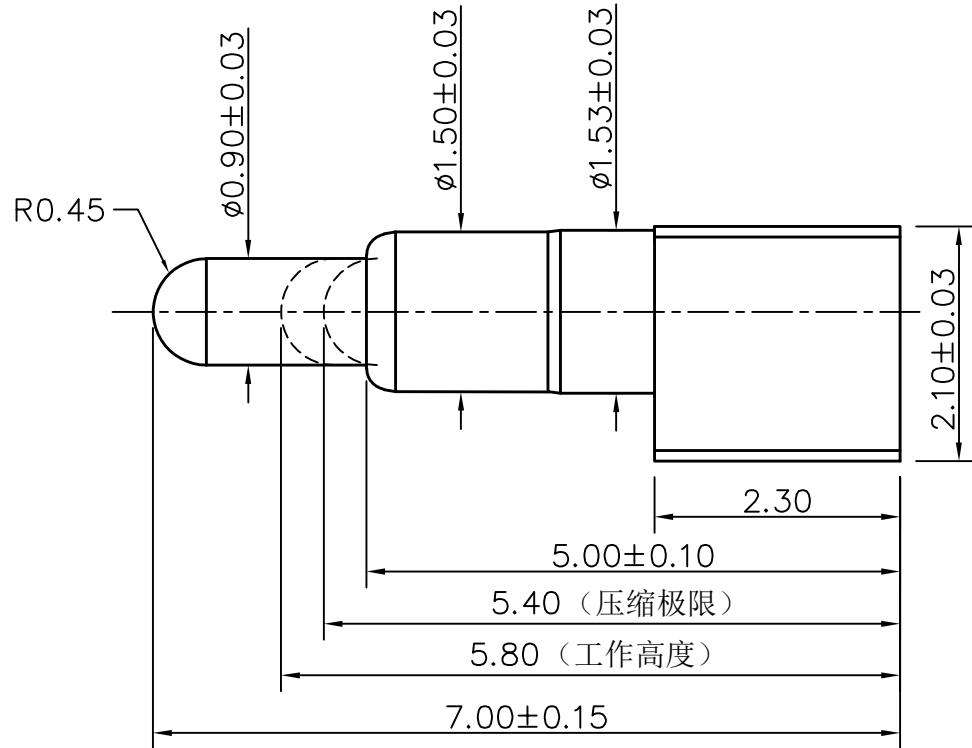
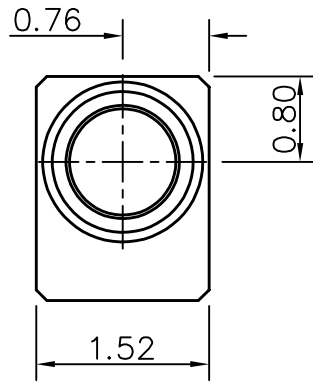


客户图



Note:

- 1: Material(材料):
 Barrel: Brass C3604 (针管: 黄铜 C3604)
 Plunger: Brass C3604 (针头: 黄铜 C3604)
 Spring: SUS304 (弹簧: SUS304)
- 2: Plating(电镀):
 Barrel: 3u' Au over 50~80u' Ni(针管: 镀金3u', 镍底50~80u'.)
 Plunger: 3u' Au over 50~80u' Ni(针头: 镀金3u', 镍底50~80u'.)
 Spring: No plated (弹簧: 不电镀)
- 3: Electrical(电气特性):
 Rated Current & Voltage: DC 12V;2A (额定电压&电流: 直流12V,2A)
 Contact Resistance: 50 mohm Max. at working height.
 接触电阻: 最大50毫欧 (在工作高度状态下)
- 4: Mechanical(机械性能):
 Force: 100g$\pm 20\%$ at working height. (100g$\pm 20\%$ 在工作高度)。
 Durability: 10,000 cycles(min) (寿命: 10000次)
- 5: WorkTemperture(工作环境):
 Withstanding Higt Temperature: 280$^{\circ}$
 Operational Temperature: -40$^{\circ}$~ +85$^{\circ}$

NO.	ECN NO.	DESCRIPTION	DATE

深圳市鑫探技术有限公司



HTTP://WWW.XYZPOGOPIN.COM

TEL:0755-28773277 FAX:0755-28891353

SCALE:	N/A	UNIT	mm
SHEET:	1 of 1	PROJECTION	
DATE:	2026.04.11	VER.	D.0

THE UNMARKED TOLERANCE ARE AS BELOW :			
LENGTH		ANGLE	
X.XX	$\pm 0.05\text{mm}$	X.XX	$\pm 0.50^{\circ}$
X.X	$\pm 0.10\text{mm}$	X.X	$\pm 1.00^{\circ}$
X.	$\pm 0.20\text{mm}$	X.	$\pm 2.00^{\circ}$

DESIGNED BY:		DWG. NO.	YZ115815070F-04
CHECKED BY:		TITLE:	Pogo pin 连接器
APPROVED BY:			