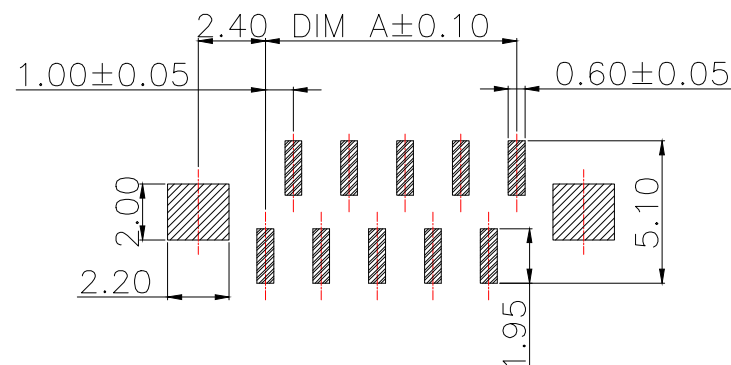


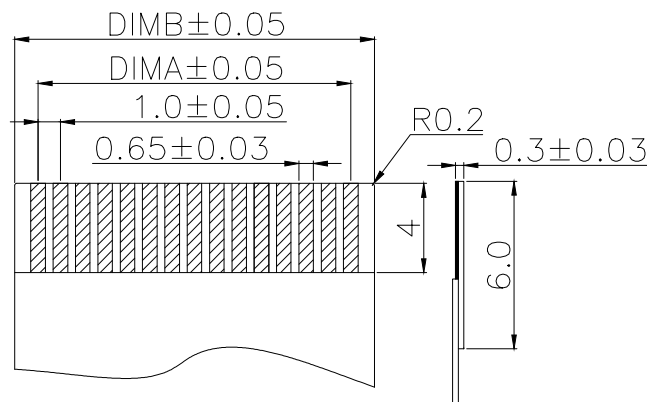
技术指标:

1. 额定电流: 0.5A
2. 温度范围: -40~85℃
3. 额定电压: 50V, AC/DC (等效)
4. 接触电阻: $\leq 0.03\Omega$
5. 绝缘电阻: $\geq 500M\Omega$

Part No	Pin	A	B	C
FPC-1.0AZF2-4PLCR5-H55	4	3.00	5.15	11.00
FPC-1.0AZF2-5PLCR5-H55	5	4.00	6.15	12.00
FPC-1.0AZF2-6PLCR5-H55	6	5.00	7.15	13.00
FPC-1.0AZF2-7PLCR5-H55	7	6.00	8.15	14.00
FPC-1.0AZF2-8PLCR5-H55	8	7.00	9.15	15.00
FPC-1.0AZF2-9PLCR5-H55	9	8.00	10.15	16.00
FPC-1.0AZF2-10PLCR5-H55	10	9.00	11.15	17.00
FPC-1.0AZF2-11PLCR5-H55	11	10.00	12.15	18.00
FPC-1.0AZF2-12PLCR5-H55	12	11.00	13.15	19.00
.....
FPC-1.0AZF2-36PLCR5-H55	36	(36-1)*1.0	(36+1)*1.0+0.15	(36+7)*1.0



序号	品名	材质
1	1.0A胶芯	LCP UL94V-0 本色
2	1.0A立贴端子	磷青铜/表面镀锡
3	1.0A锁条	LCP UL94V-0 黑色
4	1.0A焊片	黄铜/表面镀锡



MANUFACTURE DWG			 东莞市讯普电子科技有限公司 DongGuan XunPu Electronics Co., Ltd	
UNLESS OTHERWISE SPECIFIED TOLERANCES			TITLE: 1.0-A拉拔立贴 (H:2.5)	
DECIMALS:	ANGLES:		PAR	FPC-1.0AZF2-NPLCR5-H55
X.: ±0.15	±1'		DWN	Lucas
X.X: ±0.10			CHKD	Ethan
X.XX: ±0.05			APVD	Jacob
		CUSTOMER COPY	SCALE: 1:1	UNIT: MM
			SIZE: A4	SHEET: 1F1
				REV: A