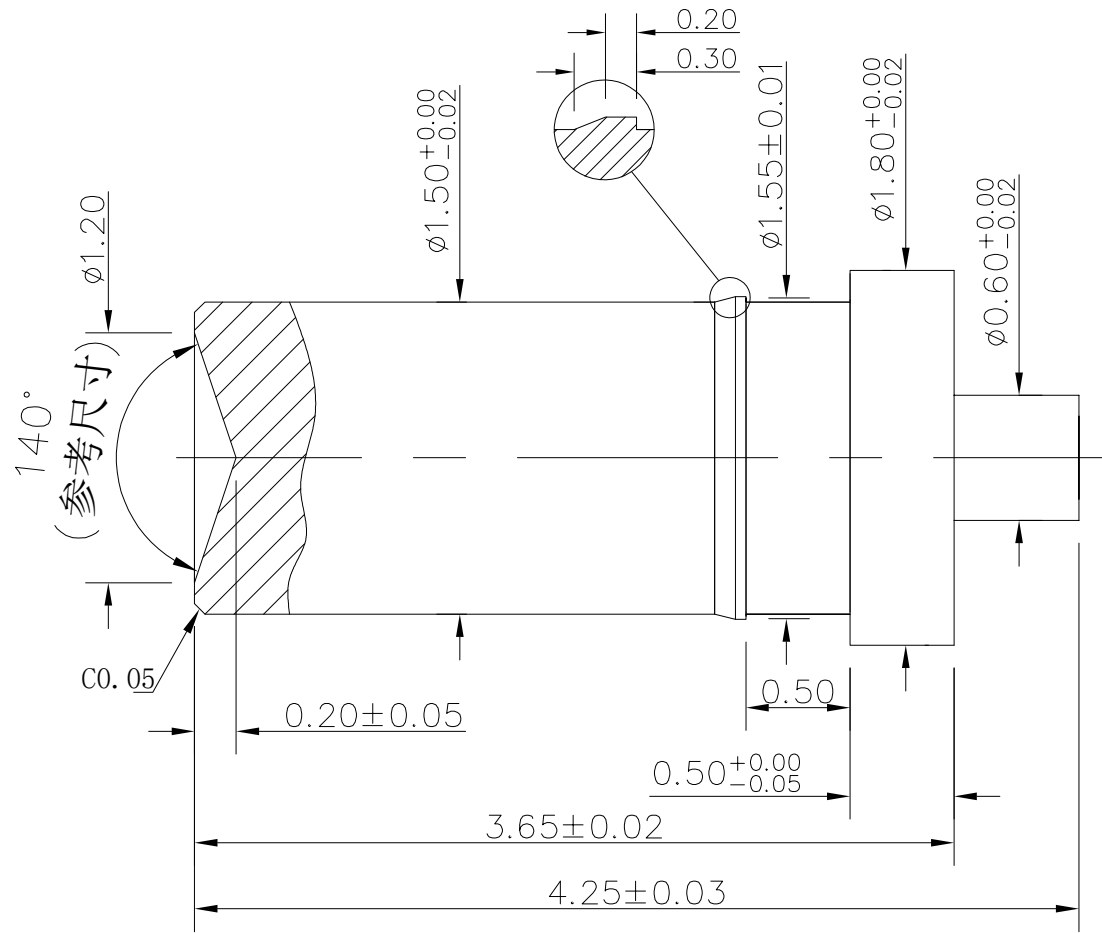


# 加工图

NO.	ECN NO.	DESCRIPTION	DATE
1			



## 技术要求:

- 1.材料: 黄铜 C3604
- 2.不允许有批锋, 毛刺; 切断点最大不超过0.03mm。
- 3.镀金3u', 镍底50~80u'。

深圳市鑫扬泽电子有限公司



HTTP://WWW.XYZPOGOPIN.COM

TEL:0755-28773277 FAX:0755-28891353

SCALE:	N/A	UNIT	mm
SHEET:	1 of 1	PROJECTION	
DATE:	2020.07.21	VER.	A.0

THE UNMARKED TOLERANCE ARE AS BELOW :

LENGTH		ANGLE	
X.XX	$\pm 0.05$ mm	X.XX	$\pm 0.50^\circ$
X.X	$\pm 0.10$ mm	X.X	$\pm 1.00^\circ$
X.	$\pm 0.20$ mm	X.	$\pm 2.00^\circ$

DESIGNED BY:		DWG. NO.	YZ187815042TP-G3
CHECKED BY:		TITLE:	触点
APPROVED BY:			