

NOTE:

1.MATERIAL SPECIFICATION:

- 1.HOUSING:HIGH TEMPERATURE RESISTANT PLASTIC
- 2.TERMINAL: COPPER ALLOY
- 3.MID PLATE: STAINLESS STEEL
- 4.FRONT SHELL: STAINLESS STEEL
- 5.O-RING: SILICA GEL, BLACK
- 6.GLUE:EPOXY,BLACK

2.PLATING SPECIFICATION:

- 2-1.TERMINAL:  
Ni 50u" MIN. UNDER PLATED OVER ALL.  
Au G/F PLATED ON THE CONTACT AREA  
Au G/F PLATED ON THE SOLDER AREA

2-2. SHELL:

- Ni 50u" MIN. UNDER PLATED OVER ALL.

2-3.MID PLATE:

- CLEAR ONLY

3.MECHANICAL PERFORMANCE,

- 3-1.INSERTION FORCE: 0.5~2.0kgf.
- 3-2.REMOVAL FORCE: 0.8kgf~2.0kgf.
- 3-3.DURABILITY: 10000 CYCLES.

4.ELECTRICAL PERFORMANCE,

- 4-1. VOLTAGE RATING:5 V DC/AC (RMS. max)  
CURRENT RATING:5 AMPS. FOR TOTAL VBUS/GND PINS;
- 4-2. LLCR:  
VBUS & GND PINS AND OTHER PINS: 40mA/PIN MAX.  
LLCR MAX. CHANGE OF ALL PINS: 10mA.
- 4-3.INSULATION RESISTANCE: 100MΩ MIN
- 4-4.DIELECTRIC WITHSTAND VOLTAGE,AC 100V FOR 1 MINUTE.

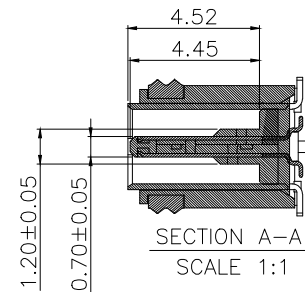
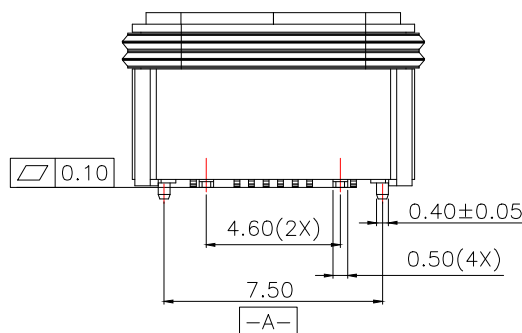
5. ENVIRONMENTAL PERFORMANCE:

- OPERATING TEMPERATURE: -40°C~+85°C.

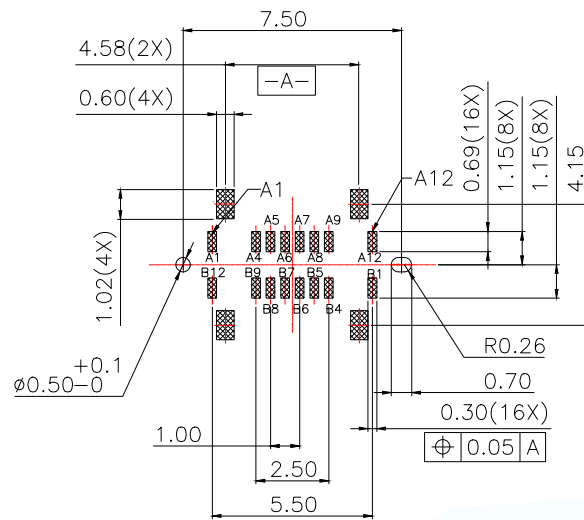
6.IR REFLOW:

- THE PEAK TEMPERATURE ON THE BOARD SHALL BE MAINTAINED FOR 10 SECONDS AT 260°C.

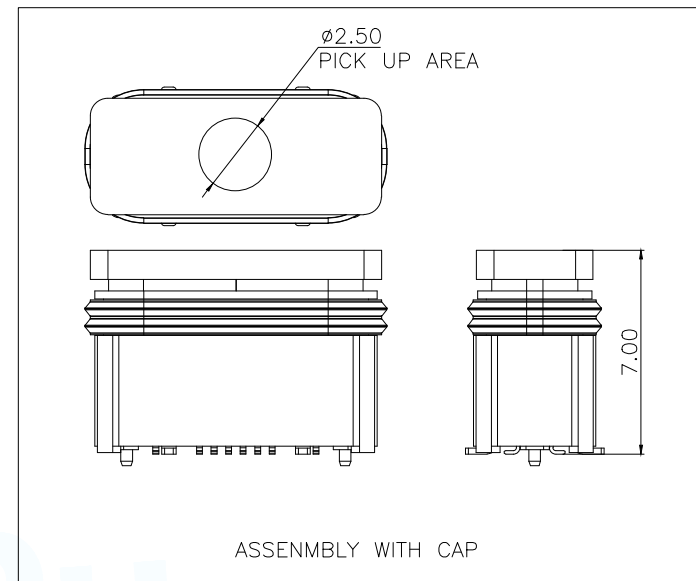
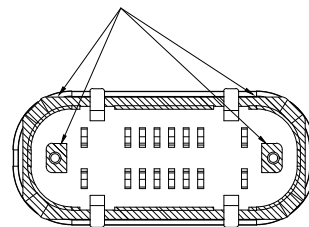
7.WATERPROOF:IPX5



MANUFACTURE DWG		东莞市讯普电子科技有限公司 DongGuan XunPu Electronics Co.,Ltd	
UNLESS OTHERWISE SPECIFIED TOLERANCES			TITLE:USB TYPE C 16pos VERTIACL H=6.0mm IPX5
			PAR TYPE-C-631-LSCX5H060
DECIMALS:	ANGLES:		DWN Lucas
.X:±0.30	X.:±5°		CHKD Ethan
.XX:±0.20	X.X':±3°	APVD Jacob	SCALE 1:1 UNIT:MM
.XXX:±0.10	X.XX':±2°	CUSTOMER COPY	SIZE:A4 SHEET:1F3 REV:A



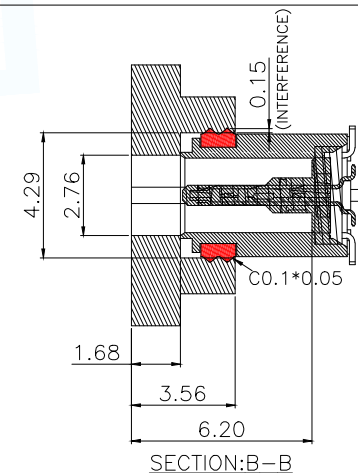
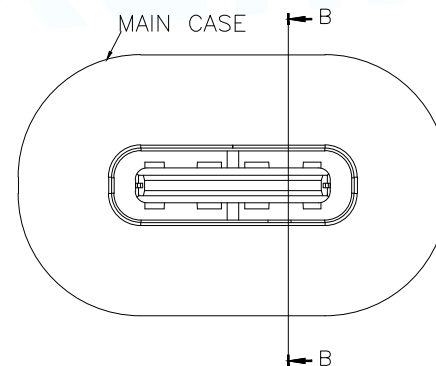
THERE IS SOME GLUE ON THE MAKE AREA(MAY BE)  
IT IS NOT AFFECT SOLDERING



RECOMMENDED PCB LAYOUT(TOP VIEW)  
THICKNESS 0.8±0.10MM;DEFAULT TOLERANCE:±0.05

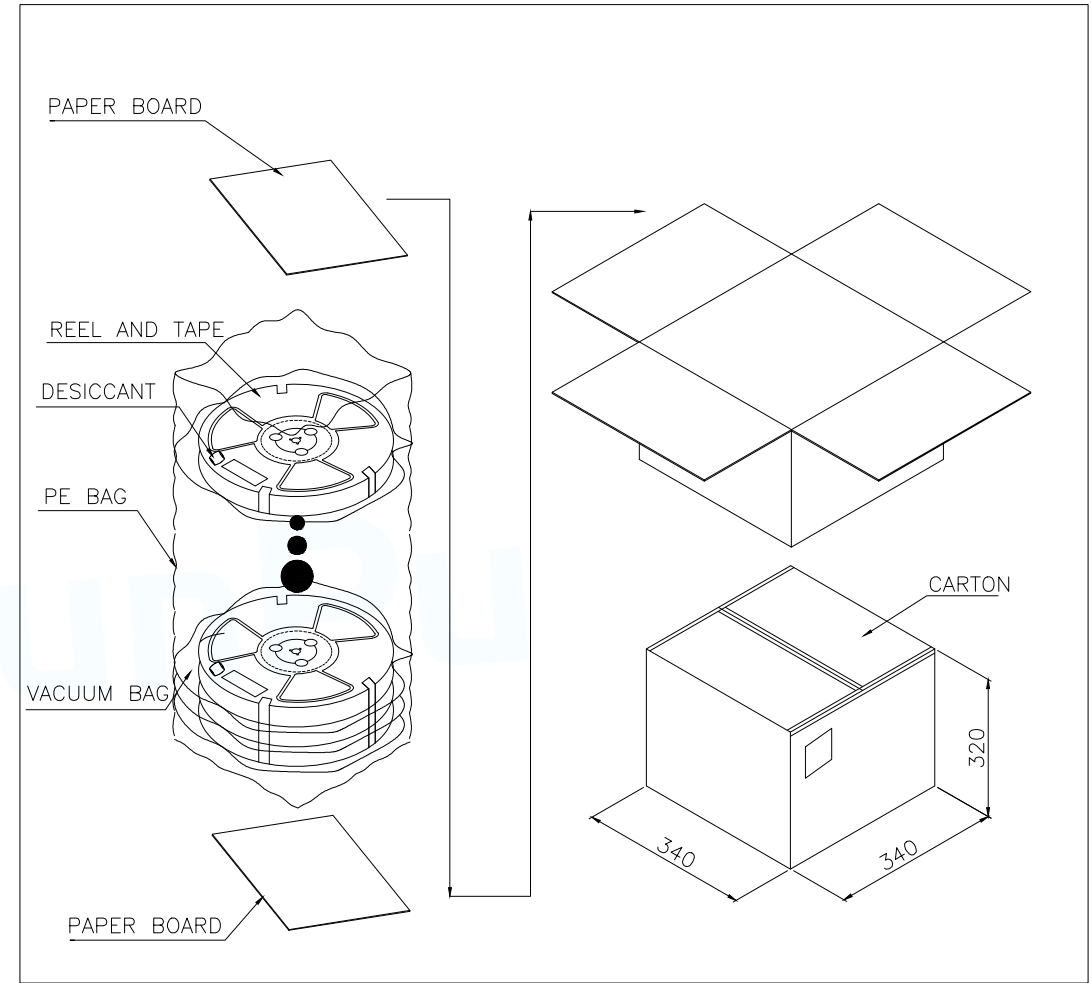
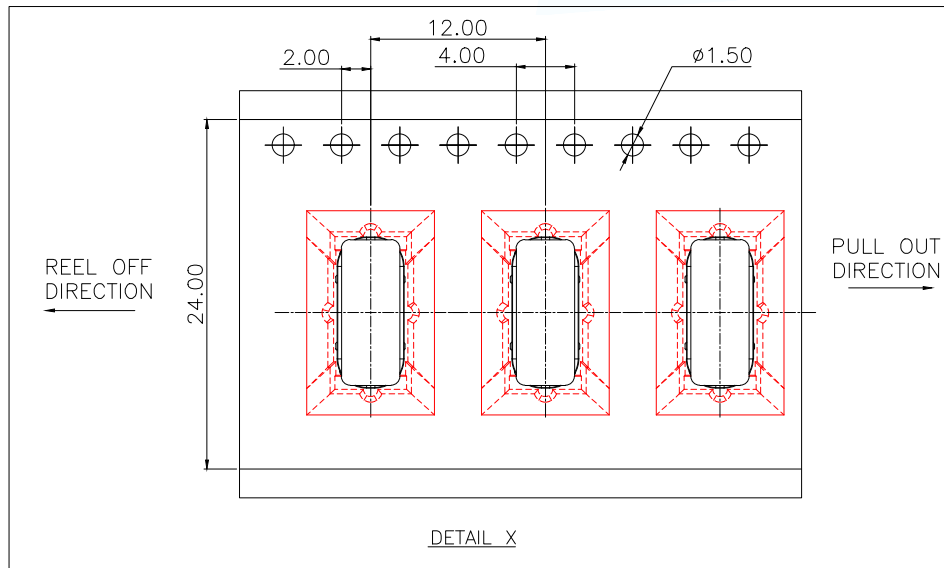
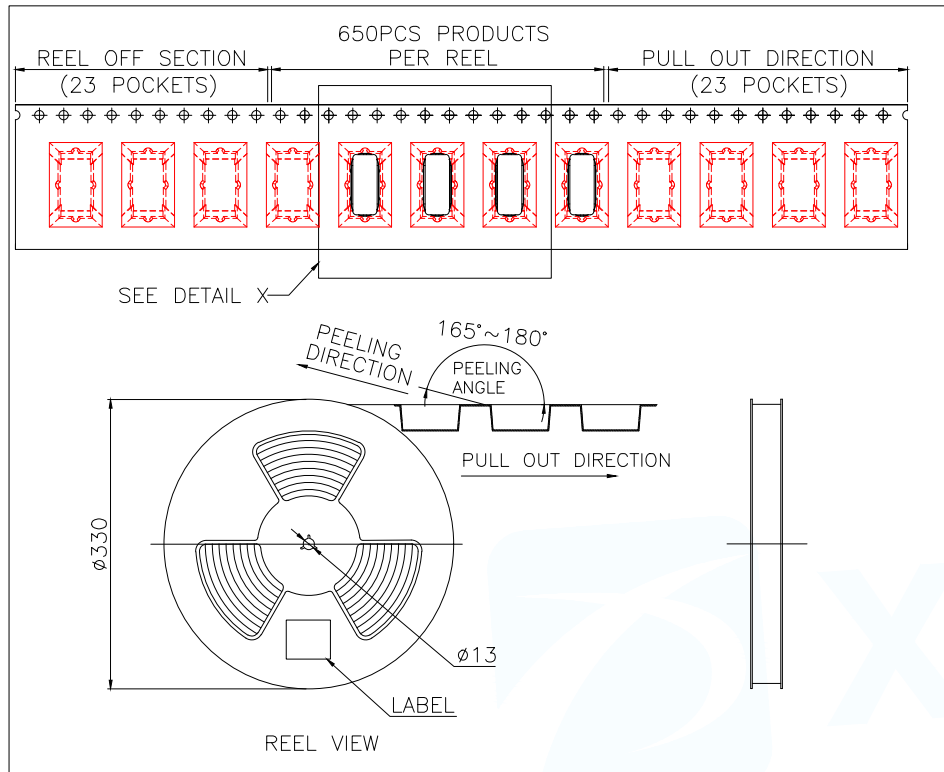
USB TYPE-C PIN ASSIGNMENTS



PIN NUMBER	SIGNAL NAME	PIN NUMBER	SIGNAL NAME
A1	GND	B12	GND
A4	VBUS	B9	Vbus
A5	CC1	B8	SBU2
A6	Dp1	B7	Dn2
A7	Dn1	B6	Dp2
A8	SBU1	B5	CC2
A9	VBUS	B4	VBUS
A12	GND	B1	GND



RECOMMENDED OPENING DIMENSIONS  
OF CASE MATING AREA WITH SEALING RING

MANUFACTURE DWG		东莞市讯普电子科技有限公司 DongGuan XunPu Electronics Co.,Ltd	
UNLESS OTHERWISE SPECIFIED TOLERANCES		TITLE:USB TYPE C 16pos VERTIACL H=6.0mm IPX5	
DECIMALS:	ANGLES:	PAR	TYPE-C-631-LSCX5H060
.X:±0.30	X.:±5°	DWN	Lucas
.XX:±0.20	X.X':±3°	CHKD	Ethan
.XXX:±0.10	X.XX':±2°	APVD	Jacob
CUSTOMER COPY		SCALE:1:1	UNIT:MM
		SIZE:A4	SHEET:2F3
			REV:A



		REEL/TRAY	CARTON
CONNECTOR (PCS)		650	6500
MANUFACTURE DWG		 东莞市讯普电子科技有限公司 DongGuan XunPu Electronics Co.,Ltd	
UNLESS OTHERWISE SPECIFIED TOLERANCES		 TITLE:USB TYPE C 16pos VERTIACL H=6.0mm IPX5 PAR TYPE-C-631-LSCX5H060 DWN Lucas CHKD Ethan APVD Jacob	
DECIMALS:	ANGLES:	SCALE 1:1	UNIT:MM
.X:±0.30	X.':±5°	SIZE:A4	SHEET:3F3
.XX:±0.20	X.X':±3°	CUSTOMER COPY	REV:A
.XXX:±0.10	X.XX':±2°		