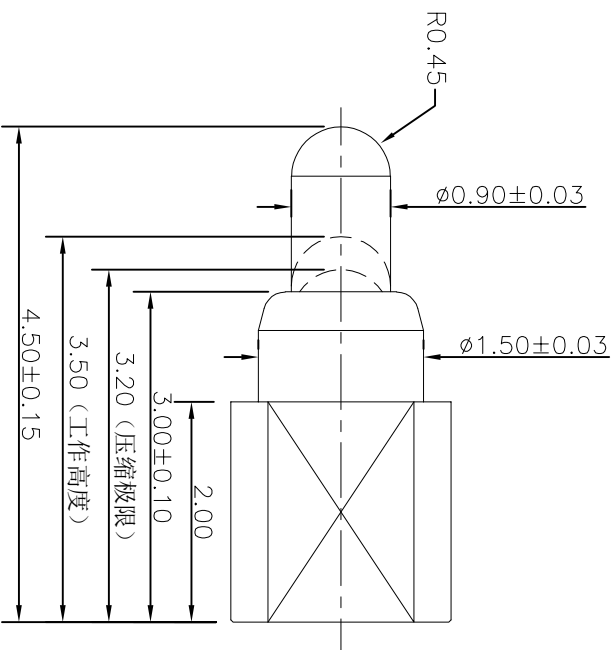
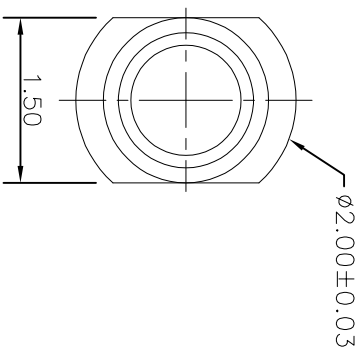


# 客户图

NO.	ECN NO.	DESCRIPTION	DATE



**Note:**

- 1: Material(材料) :  
 Barrel: Brass C3604 (针管: 黄铜 C3604)  
 Plunger: Brass C3604 (针头: 黄铜 C3604)  
 Spring: SUS304 (弹簧: SUS304)
- 2: Plating(电镀) :  
 Barrel: 3u' Au over 50~80u' Ni(针管: 镀金3u', 镍底50~80u'.)  
 Plunger: 3u' Au over 50~80u' Ni (针头: 镀金3u', 镍底50~80u'.)  
 Spring: Gold flash (弹簧: 镀金)
- 3: Electrical(电气特性) :  
 Rated Current & Voltage: DC 12V;2A (额定电压&电流: 直流12V,2A)  
 Contact Resistance: 50 mohm Max. at working height.  
 接触电阻: 最大50毫欧 (在工作高度状态下)
- 4: Mechanical(机械性能) :  
 Force: 100g±20% at working height. (100g±20% 在工作高度)。  
 Durability: 10,000 cycles(min) (寿命: 10000次)
- 5: WorkTemperature(工作环境):  
 Withstanding Higt Temperature: 280t  
 Operational Temperature: -20t~ +70t

## 深圳市鑫探技术有限公司

HTTP://WWW.XYFPOGOPIN.COM  
 TEL:0755-28773277 FAX:0755-28891353



SCALE:	N/A	UNIT	mm
SHEET:	1 of 1	PROJECTION	
DATE:	2026.04.11	VER.	A.0

THE UNMARKED TOLERANCE ARE AS BELOW :

LENGTH	ANGLE
XXX ±0.05mm	X.XX ±0.50°
XX ±0.10mm	XX ±1.00°
X ±0.20mm	X ±2.00°

DESIGNED BY:	DWG. NO.	YZ12615045F-02
CHECKED BY:	TITLE:	Pogo pin连接器
APPROVED BY:		