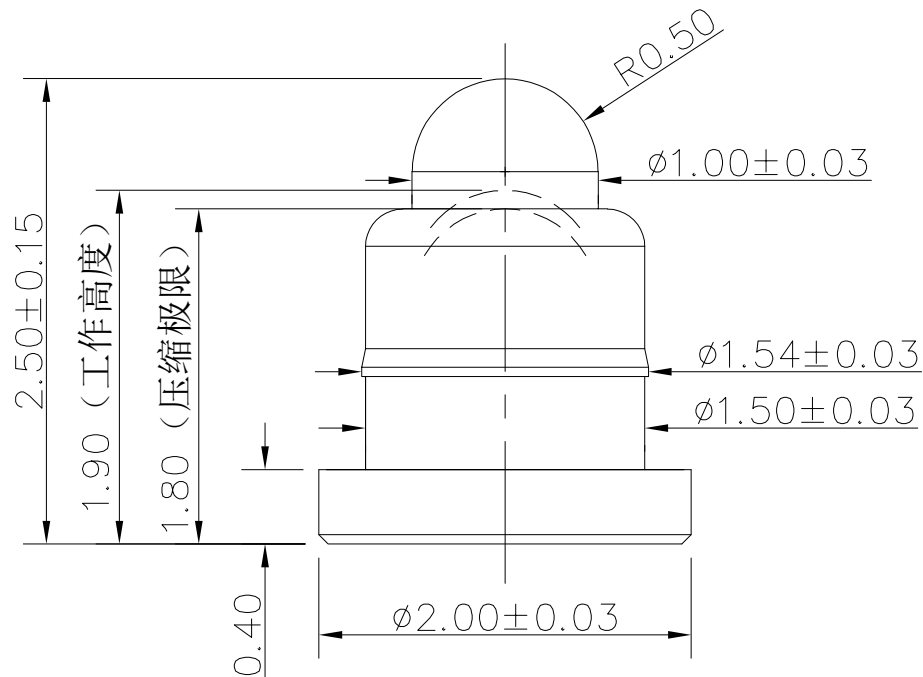


# 客户图

NO.	ECN NO.	DESCRIPTION	DATE



## Note:

- Material(材料):
  - Barrel: Brass C3604 (针管: 黄铜 C3604)
  - Plunger: Brass C3604 (针头: 黄铜 C3604)
  - Spring: SUS304 (弹簧: SUS304)
- Plating(电镀):
  - Barrel: 3u' Au over 50~80u' Ni(针管: 镀金3u', 镍底50~80u'.)
  - Plunger: 3u' Au over 50~80u' Ni(针头: 镀金3u', 镍底50~80u'.)
  - Spring: No plated (弹簧: 不电镀)
- Electrical(电气特性):
  - Rated Current & Voltage: DC 12V;1A (额定电压&电流: 直流 12V,1A)
  - Contact Resistance: 50 mohm Max. at working height. (接触电阻: 最大50毫欧 (在工作高度状态下))
- Mechanical(机械性能):
  - Force: 80g $\pm$ 20% at working height. (80g $\pm$ 20% 在工作高度)。
  - Durability: 10.000 cycles(min) (寿命: 10000次)
- WorkTemperture(工作环境):
  - Withstanding Higt Temperature: 280 $\text{c}$
  - Operational Temperature:  $-20\text{c} \sim +70\text{c}$

深圳市鑫探技术有限公司

HTTP://WWW.XYZPOGOPIN.COM

TEL:0755-28773277 FAX:0755-28891353



SCALE:	N/A	UNIT	mm
SHEET:	1 of 1	PROJECTION	
DATE:	2025.08.11	VER.	A.0

THE UNMARKED TOLERANCE ARE AS BELOW :

LENGTH		ANGLE	
X.XX	$\pm 0.05\text{mm}$	X.XX	$\pm 0.50^\circ$
X.X	$\pm 0.10\text{mm}$	X.X	$\pm 1.00^\circ$
X.	$\pm 0.20\text{mm}$	X.	$\pm 2.00^\circ$

DESIGNED BY:		DWG. NO.	YZ01115025R-03
CHECKED BY:		TITLE:	Pogo pin
APPROVED BY:			