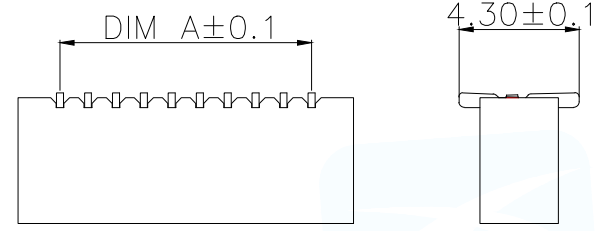
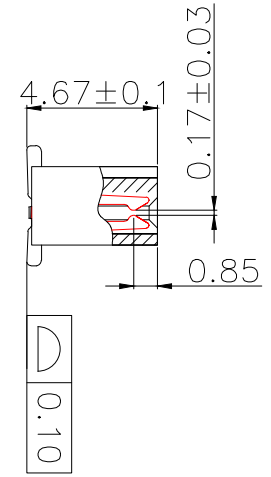
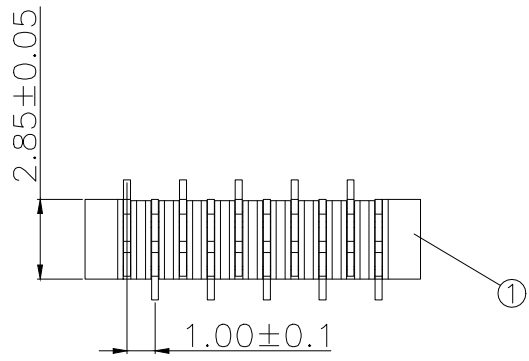
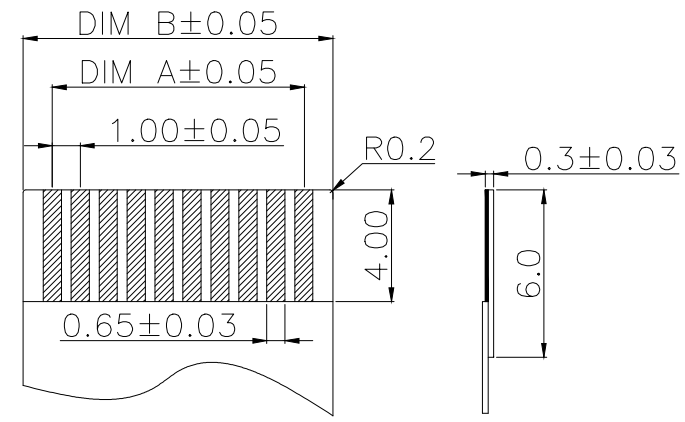
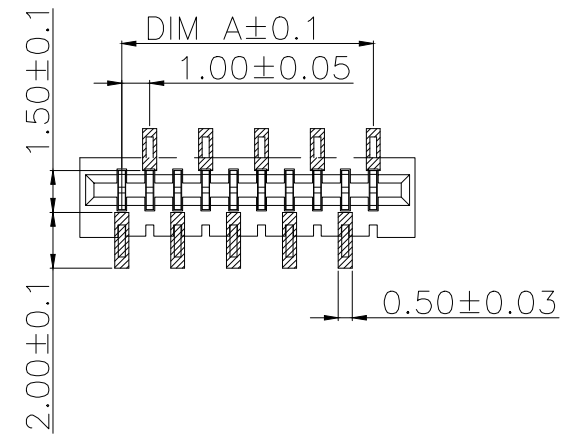
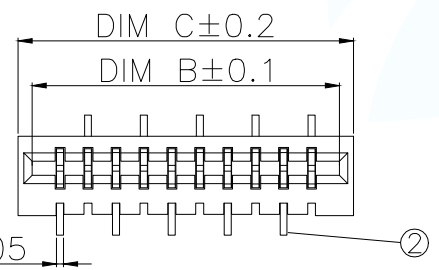


| Part No | Pin | A | B | C |
|-------------------------|------|------------|-----------------|-------|
| FPC-1.0AZD2-4PLCR5-H47 | 4 | 3.00 | 5.10 | 6.00 |
| FPC-1.0AZD2-5PLCR5-H47 | 5 | 4.00 | 6.10 | 7.00 |
| FPC-1.0AZD2-6PLCR5-H47 | 6 | 5.00 | 7.10 | 8.00 |
| FPC-1.0AZD2-7PLCR5-H47 | 7 | 6.00 | 8.10 | 9.00 |
| FPC-1.0AZD2-8PLCR5-H47 | 8 | 7.00 | 9.10 | 10.00 |
| FPC-1.0AZD2-9PLCR5-H47 | 9 | 8.00 | 10.10 | 11.00 |
| FPC-1.0AZD2-10PLCR5-H47 | 10 | 9.00 | 11.10 | 12.00 |
| FPC-1.0AZD2-11PLCR5-H47 | 11 | 10.00 | 12.10 | 13.00 |
| FPC-1.0AZD2-12PLCR5-H47 | 12 | 11.00 | 13.10 | 14.00 |
| | | ... | | |
| FPC-1.0AZD2-36PLCR5-H47 | 36 | (36-1)*1.0 | (36+1)*1.0+0.10 | 38.00 |



| 序号 | 品名 | 材质 |
|----|----|----------------|
| 1 | 基座 | LCP UL94V-0 本色 |
| 2 | 端子 | 磷青铜/表面镀锡 |



技术指标:

1. 额定电流: 0.5A
2. 温度范围: -40~85℃
3. 额定电压: 50V, AC/DC (等效)
4. 接触电阻: ≤0.03Ω
5. 绝缘电阻: ≥500MΩ

| | | | | |
|---------------------------------------|---------|---------------|---|-----------|
| MANUFACTURE DWG | | | 东莞市讯普电子科技有限公司 DongGuan XunPu Electronics Co.,Ltd | |
| UNLESS OTHERWISE SPECIFIED TOLERANCES | | | TITLE: 1.0B黑色双面接立式 (正位) | |
| DECIMALS: | ANGLES: | PAR | FPC-1.0AZD2-NPLCR5-H47 | |
| X.:±0.15 | ±1' | DWN | Lucas | |
| X.X:±0.10 | | CHKD | Ethan | |
| X.XX:±0.15 | | APVD | Jacob | |
| | | SCALE:1:1 | UNIT:MM | |
| | | CUSTOMER COPY | SIZE:A4 | SHEET:1F1 |
| | | | | REV:A |