

NOTE:

- 1.MATERIAL SPECIFICATION:
 - 1.HOUSING:HIGH TEMPERATURE RESISTANT PLASTIC,UL94 V-0 (PA9T)
 - 2.TERMINAL: COPPER ALLOY (C18150)
 - 3.MID PLATE: STAINLESS STEEL (SUS301)
 - 4.FRONT SHELL: STAINLESS STEEL (SUS304)
 - 5.EMI PLATE: STAINLESS STEEL (SUS304)

2.PLATING SPECIFICATION:

- 2-1.TERMINAL:
 - Ni 50u" MIN. UNDER PLATED OVER ALL.
 - Au PLATED ON THE FUNCTIONAL AREA OF CONTACT. (GOLD PLATING THICKNESS Au 3u")
 - SN PLATING THE SOLDER AREA.

2-2.FRONT SHELL:

- Ni 30u" MIN. UNDER PLATED OVER ALL.

2-3.MID PLATE&EMI PLATE:

- CLEAR ONLY

3.MECHANICAL PERFORMANCE,

- 3-1.INSERTION FORCE: 0.5~2.0kgf.
- 3-2.REMOVAL FORCE: 0.8kgf~2.0kgf.
- 3-3.DURABILITY: 10000 CYCLES.

4.ELECTRICAL PERFORMANCE,

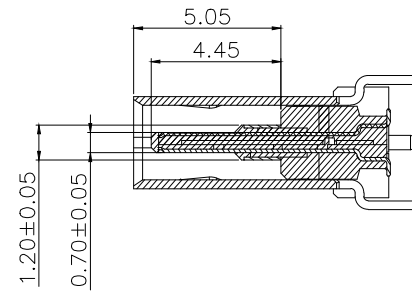
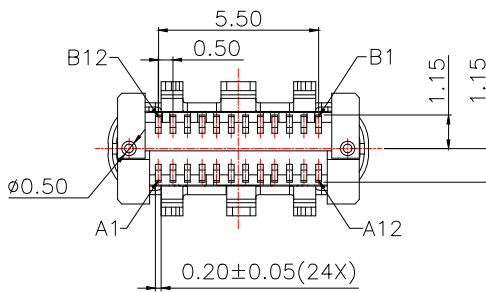
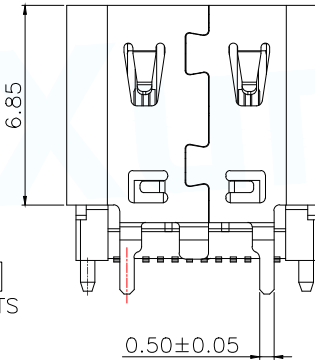
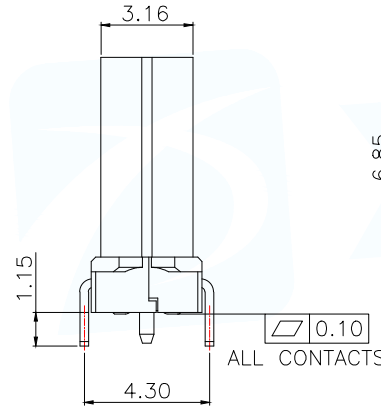
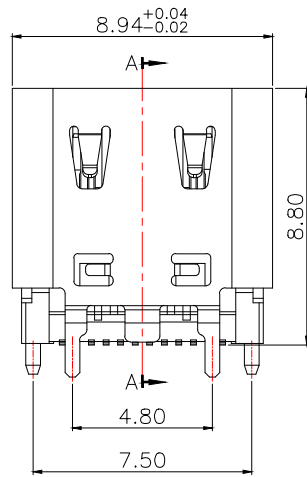
- 4-1. VOLTAGE RATING: 5V.
CURRENT RATING: 5A.
- 4-2. LLCR:
 - VBUS & GND PINS AND OTHER PINS: 40mA/PIN MAX.
 - LLCR MAX. CHANGE OF ALL PINS: 10mA.
- 4-3.INSULATION RESISTANCE: 100MΩ MIN
- 4-4.DIELECTRIC WITHSTAND VOLTAGE,AC 100V FOR 1 MINUTE.

5. ENVIRONMENTAL PERFORMANCE:

- OPERATING TEMPERATURE: -40°C~+85°C.

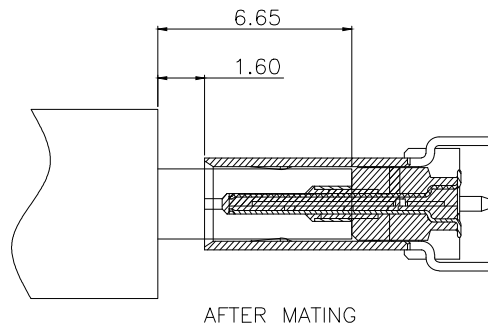
6.IR REFLOW:

- THE PEAK TEMPERATURE ON THE BOARD SHALL BE MAINTAINED FOR 10 SECONDS AT 260°C.

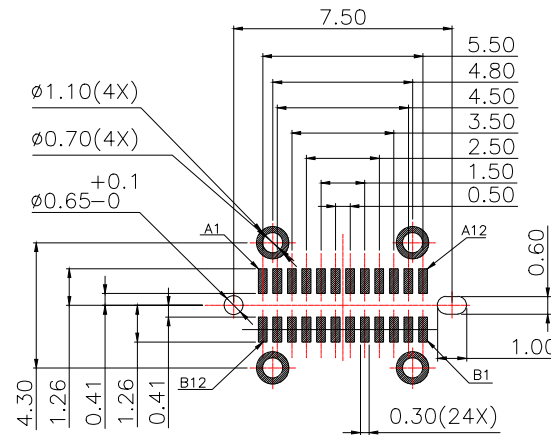


SECTION:A-A

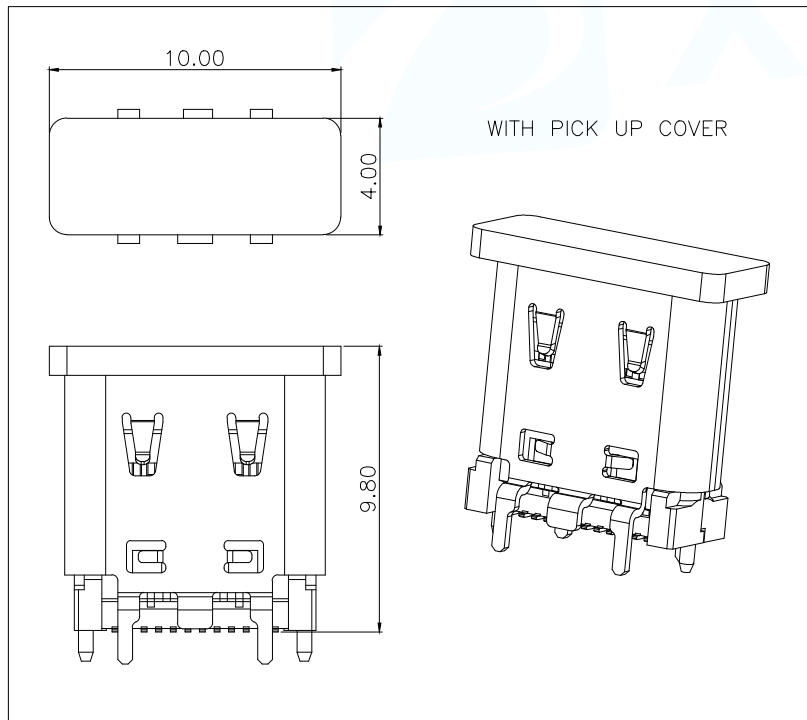
MANUFACTURE DWG		东莞市讯普电子科技有限公司 DongGuan XunPu Electronics Co.,Ltd	
UNLESS OTHERWISE SPECIFIED TOLERANCES			TITLE: USB CF VERTICAL (L=8.8)
			PAR TYPE-C-501A-LSCH088
DECIMALS:	ANGLES:		DWN Lucas
.X:±0.30	X.':±10'		CHKD Ethan
.XX:±0.20	X.X':±8'	APVD Jacob	SCALE1:1 UNIT:MM
.XXX:±0.10	X.XX':±5'	CUSTOMER COPY	SIZE:A4 SHEET:1F3 REV:A



AFTER MATING



RECOMMENDED PCB LAYOUT(TOP VIEW)
THICKNESS 1.0±0.10MM;DEFAULT TOLERANCE:±0.05



WITH PICK UP COVER

USB TYPE-C PIN ASSIGNMENTS

PIN NUMBER	SIGNAL NAME	PIN NUMBER	SIGNAL NAME
A1	GND	B12	GND
A2	TXp1	B11	RXp1
A3	TXn1	B10	RXn1
A4	Vbus	B9	Vbus
A5	CC1	B8	SBU2
A6	Dp1	B7	Dn2
A7	Dn1	B6	Dp2
A8	SBU1	B5	CC2
A9	Vbus	B4	Vbus
A10	RXn2	B3	TXn2
A11	RXp2	B2	TXp2
A12	GND	B1	GND

MANUFACTURE DWG

 东莞市讯普电子科技有限公司
DongGuan XunPu Electronics Co.,Ltd

UNLESS OTHERWISE SPECIFIED TOLERANCES



TITLE:
USB CF VERTICAL (L=8.8)

PAR TYPE-C-501A-LSCH088

DECIMALS: ANGLES:

.X:±0.30 X':±10'

.XX:±0.20 X.X':±8'

.XXX:±0.10 X.XX':±5'

DWN Lucas

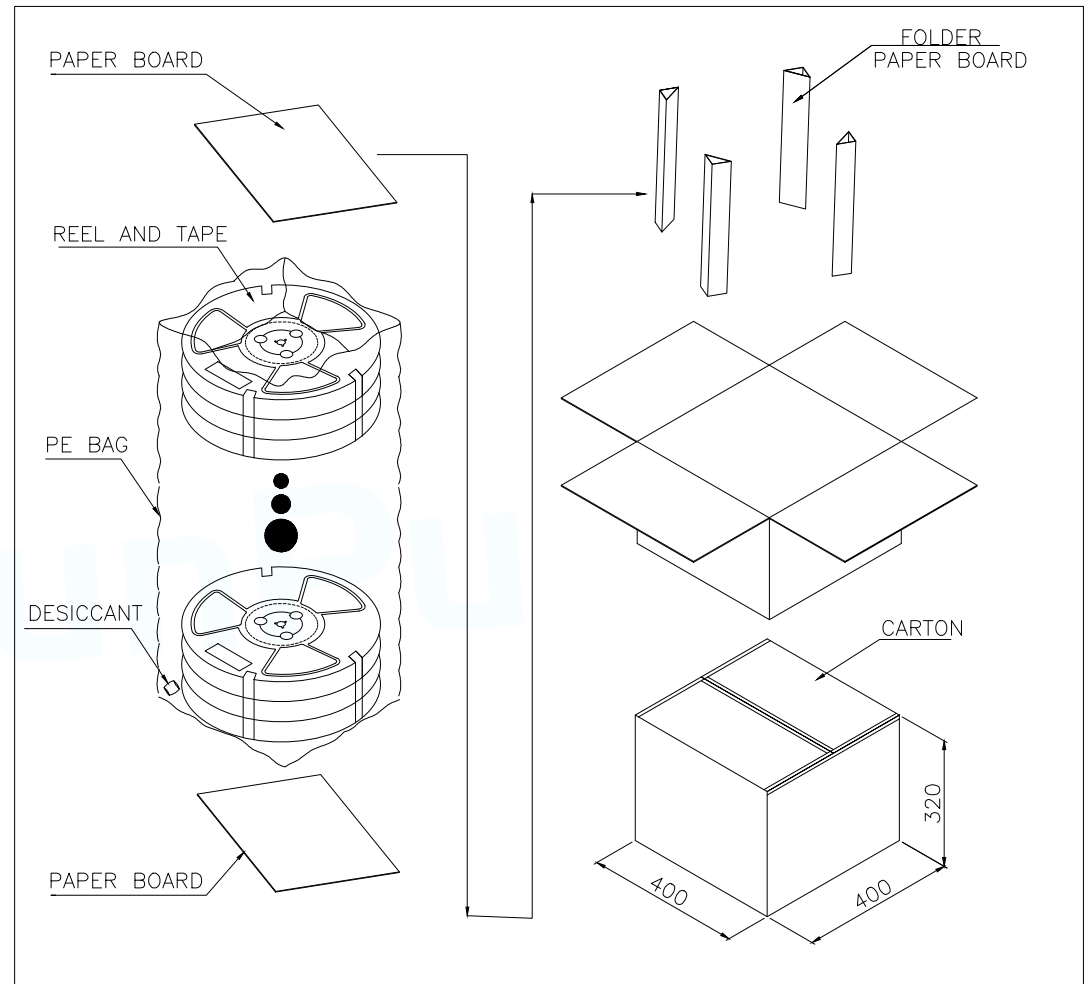
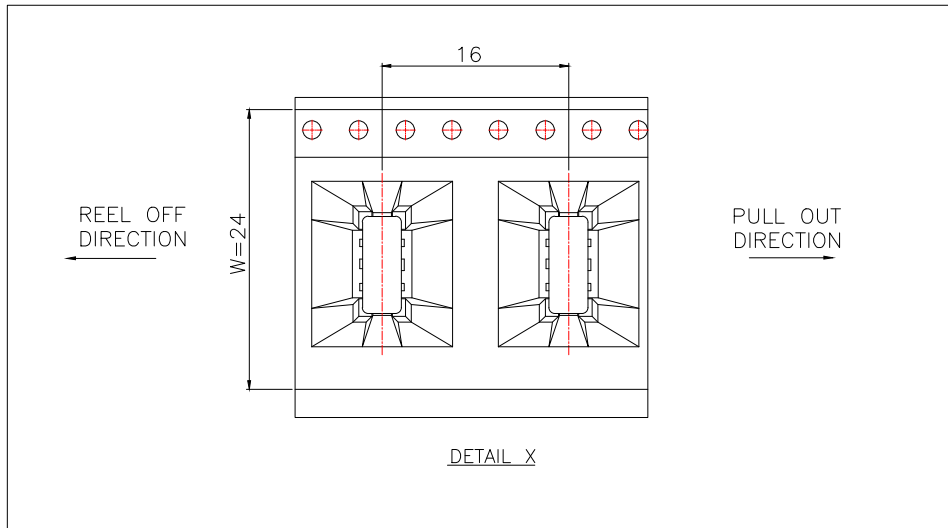
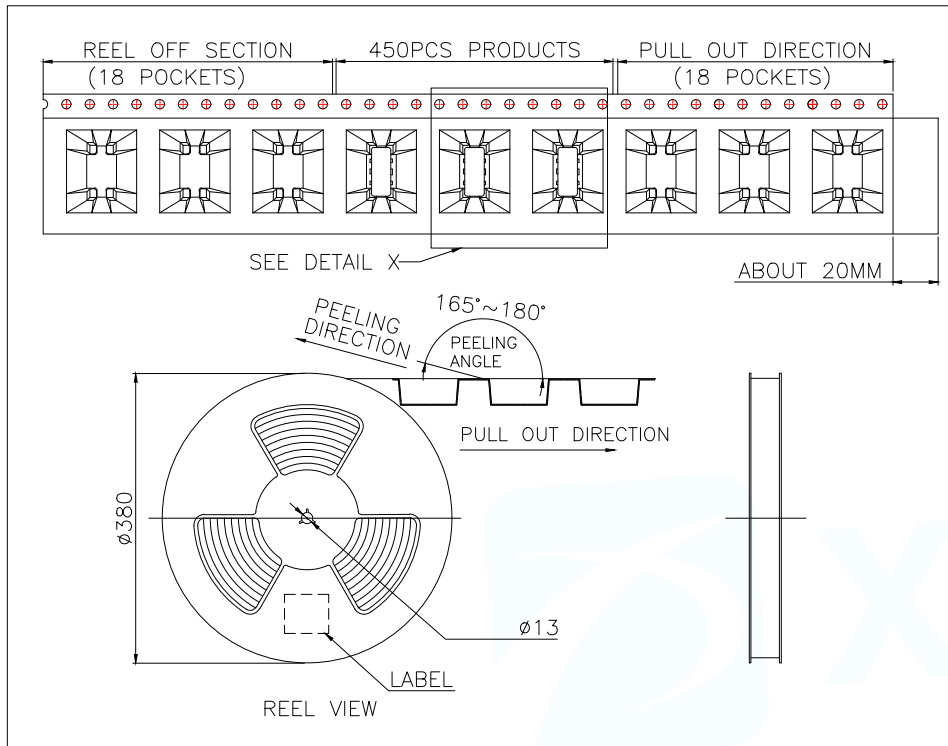
CHKD Ethan

APVD Jacob

SCALE:1:1 UNIT:MM

SIZE:A4 SHEET:2F3 REV:A

CUSTOMER COPY



	REEL/TRAY	CARTON
CONNECTOR (PCS)	450	4500
MANUFACTURE DWG	东莞市讯普电子科技有限公司 DongGuan XunPu Electronics Co.,Ltd	
UNLESS OTHERWISE SPECIFIED TOLERANCES	TITLE: USB CF VERTICAL (L=8.8)	
	PAR	TYPE-C-501A-LSCH088
DECIMALS:	DWN	Lucas
ANGLES:	CHKD	Ethan
.X:±0.30	APVD	Jacob
.XX:±0.20	SCALE 1:1	UNIT:MM
.XXX:±0.10	SIZE:A4	SHEET:3F3
	CUSTOMER COPY	REV:A