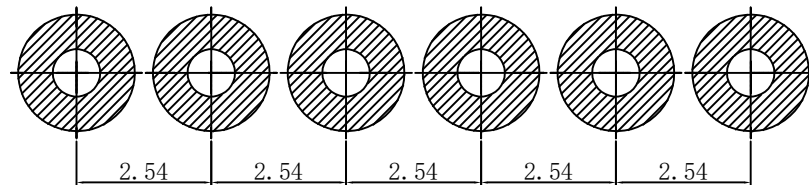
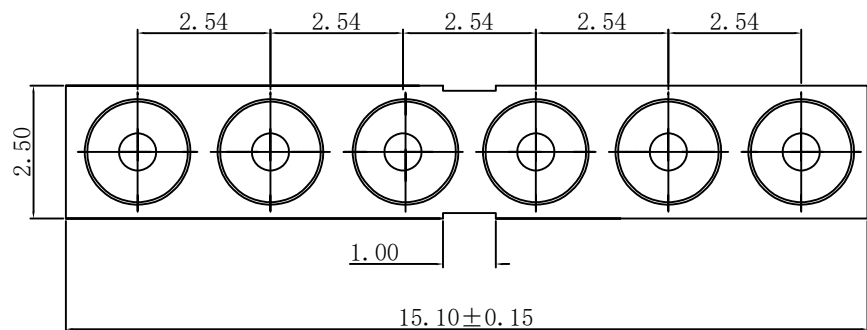
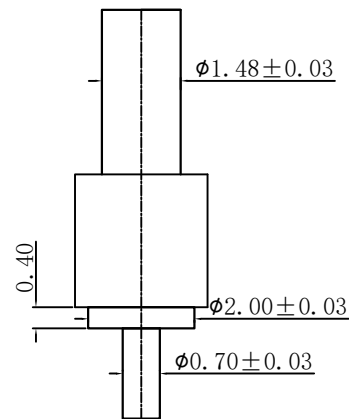
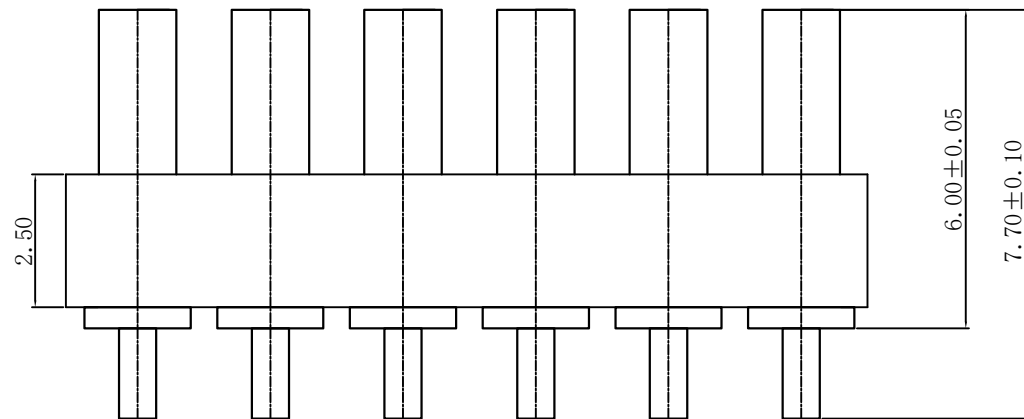


客户图

NO.	ECN NO.	DESCRIPTION	DATE



RECOMMENDED PCB LAYOUT

Note:

- Material (材料):
Housing: PA46 (胶芯: PA46)
Pin: Brass C3604 (针体: 黄铜 C3604)
- Plating (电镀):
Pin: 5u' Au over 50~80u' Ni (针体: 镀金5u', 镍底50~80u'.)
- Electrical (电气特性):
Insulation Resistance: 1,000MΩ minimum.
(绝缘电阻: 1,000MΩ 以上)
Dielectric Withstand Voltage: 500VAC/minute.
(抗击电压: 500VAC/minute)
- WorkTemperature (工作环境):
Withstanding Higt Temperature: 280℃
Operational Temperature: -40℃ ~ +85℃

深圳市鑫探技术有限公司

HTTP://WWW.XYZPOGOPIN.COM

TEL:0755-28773277 FAX:0755-28891353



SCALE:	N/A	UNIT	mm
SHEET:	1 of 1	PROJECTION	
DATE:	2024.11.11	VER.	D.0

THE UNMARKED TOLERANCE ARE AS BELOW :

LENGTH		ANGLE	
X.XX	±0.05mm	X.XX	±0.50°
X.X	±0.10mm	X.X	±1.00°
X.	±0.20mm	X.	±2.00°

DESIGNED BY:		DWG. NO.	YZ193615077T-06025-01
CHECKED BY:		TITLE:	Pogo pin 连接器
APPROVED BY:			