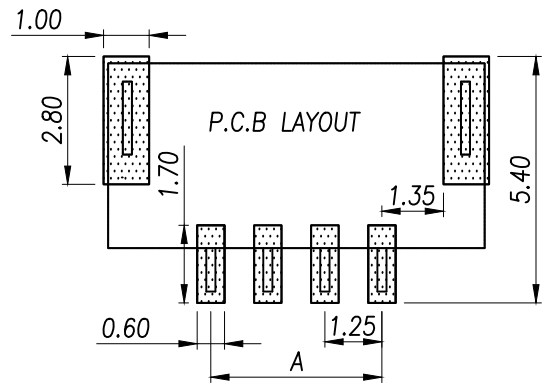
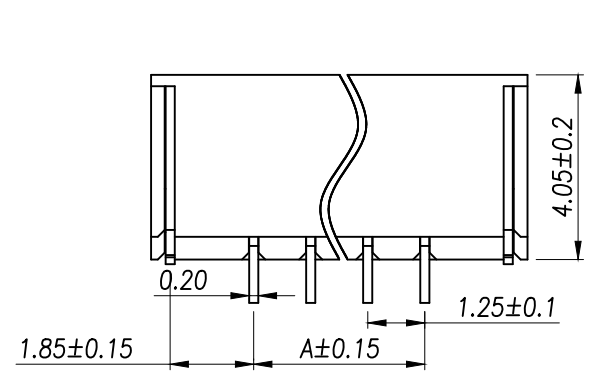
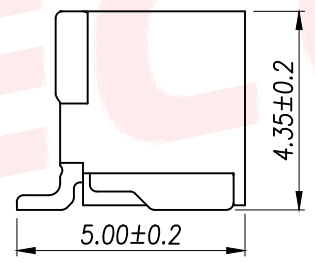
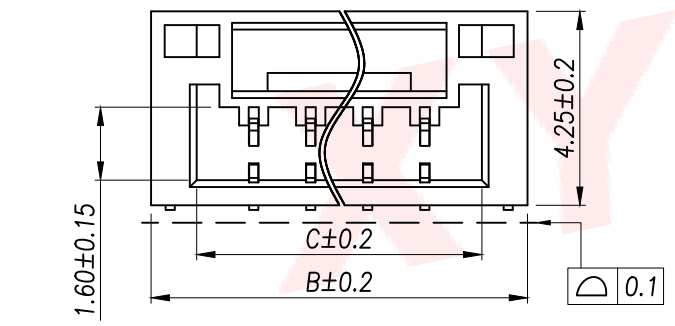


REV.	Q'TY	ECN. NO.	APR.	DATE



Part No	Pin	A	B	C
XY-GH125-S02PWB	2	1.25	5.75	3.75
XY-GH125-S03PWB	3	2.50	7.00	5.00
XY-GH125-S04PWB	4	3.75	8.25	6.25
XY-GH125-S05PWB	5	5.00	9.50	7.50
XY-GH125-S06PWB	6	6.25	10.75	8.75
XY-GH125-S07PWB	7	7.50	12.00	10.00
XY-GH125-S08PWB	8	8.75	13.25	11.25
XY-GH125-S09PWB	9	10.00	14.50	12.50
XY-GH125-S10PWB	10	11.25	15.75	13.75
XY-GH125-S11PWB	11	12.50	17.00	15.00
XY-GH125-S12PWB	12	13.75	18.25	16.25
XY-GH125-S13PWB	13	15.00	19.50	17.50
XY-GH125-S14PWB	14	16.25	20.75	18.75
XY-GH125-S15PWB	15	17.50	22.00	20.00
XY-GH125-S16PWB	16	18.75	23.25	21.25



NOTES:

- 1.BASE: LCP
- 2.PIN: Brass
- 3.Solder Tab: Brass

SPECIFICATIONS:

- 1.Spacing: 1.25
- 2.Voltage Rating: 125V AC DC
- 3.Current Rating: 1A AC,DC
- 4.Insulation Resistance: 100MΩ Min
- 5.Contact Resistance: 20mΩ Max
- 6.Withstanding voltage: 500V AC 1/Minute
- 7.Temperatuer Range: -25℃ ~+ 85℃

DIMENSION IN mm		厦门市辛译精密电子有限公司 Xiamen XinYi Xyconn Electronics Co.,Ltd			
TOLERANCE UNLESS OTHERWISE SPECIFIED					
.X±0.35	X.*± 5°	APR.	Alex	TITLE: WAFER GH1.25 封装图	
.XX±0.25	.X.*± 3°	CHK.	Jack	DWG NO. XY-GH125-SNPWB	
.XXX±0.15	.XX.*± 1°	DRA.	Can	PROJ.  CUSTOMER DRAWING	
		SIZE	A4	SCALE	1:1
		SHEET	1/1	REV.	A