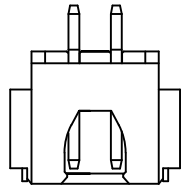
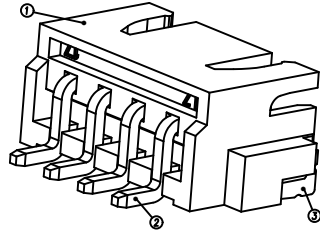


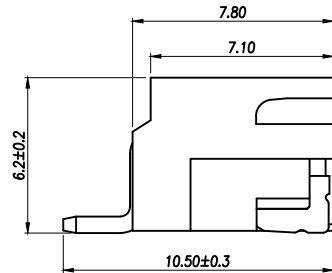
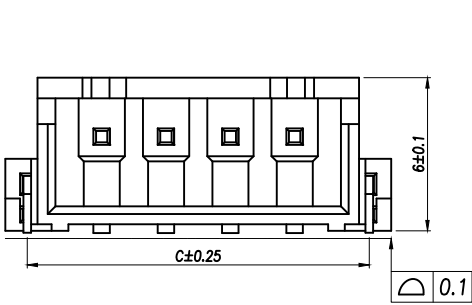
REV.	Q'TY	ECN. NO.	APR.	DATE



2Pin



Part No	Pin	A	B	C
XY-S2B-XH-SM4-TB	2	2.50	10.00	8.30
XY-S3B-XH-SM4-TB	3	5.00	12.50	10.80
XY-S4B-XH-SM4-TB	4	7.50	15.00	13.30
XY-S5B-XH-SM4-TB	5	10.00	17.50	15.80
XY-S6B-XH-SM4-TB	6	12.50	20.00	18.30
XY-S7B-XH-SM4-TB	7	15.00	22.50	20.80
XY-S8B-XH-SM4-TB	8	17.50	25.00	23.30
XY-S9B-XH-SM4-TB	9	20.00	27.50	25.80
XY-S10B-XH-SM4-TB	10	22.50	30.00	28.30
XY-S11B-XH-SM4-TB	11	25.00	32.50	30.80
XY-S12B-XH-SM4-TB	12	27.50	35.00	33.30
XY-S13B-XH-SM4-TB	13	30.00	37.50	35.80
XY-S14B-XH-SM4-TB	14	32.50	40.00	38.30
XY-S15B-XH-SM4-TB	15	35.00	42.50	40.80
XY-S16B-XH-SM4-TB	16	37.50	45.00	43.30

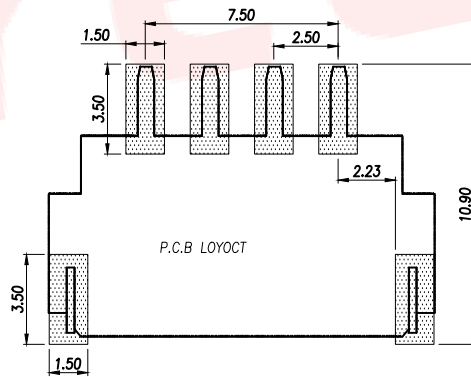
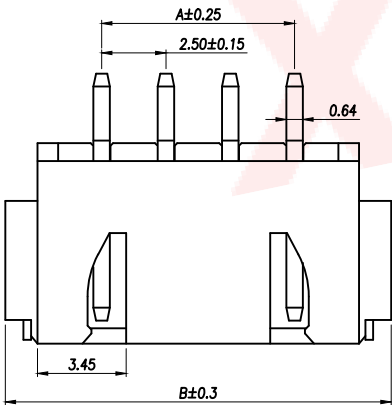


NOTES:

- 1.BASE: LCP
- 2.PIN: Brass
- 3.Solder Tab: Brass

SPECIFICATIONS:

- 1.Spacing: 2.5
- 2.Voltage Rating: 250V AC DC
- 3.Current Rating: 3A AC DC
- 4.Insulation Resistance: 800MΩ Min
- 5.Contact Resistance: 20mΩ Max
- 6.Withstanding voltage: 500V AC 1/Minute
- 7.Temperatur Range: -25℃ ~+ 85℃



DIMENSION IN mm		厦门市辛译精密电子有限公司 Xiamen XinYi Xyconn Electronics Co.,Ltd		
TOLERANCE UNLESS OTHERWISE SPECIFIED		APR.	TITLE: WAFER 2.5 间距	
.X±0.2	X.*± 5°	Alex	DWG NO. XY-SNB-XH-SM4-TB	
.XX±0.1	.X.*± 3°	Jack	PROJ.  CUSTOMER DRAWING	
.XXX±0.05	.XX.*± 1°	Can	SIZE A4	SCALE 1:1 SHEET 1/1 REV. A