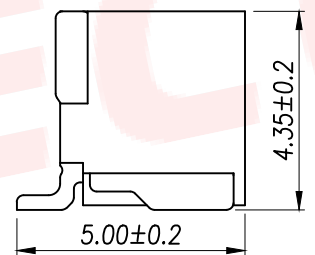
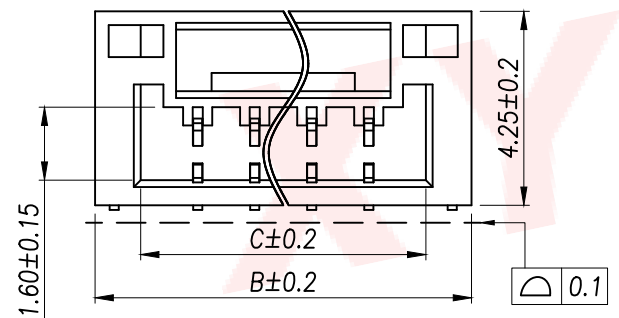
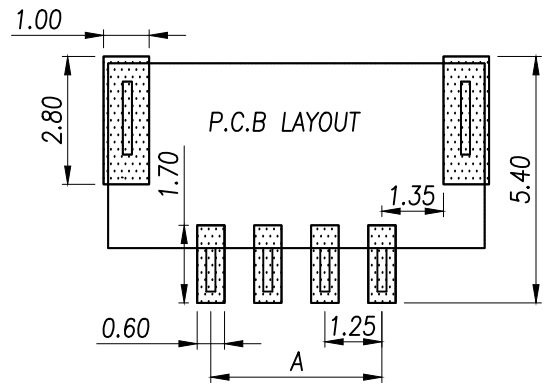
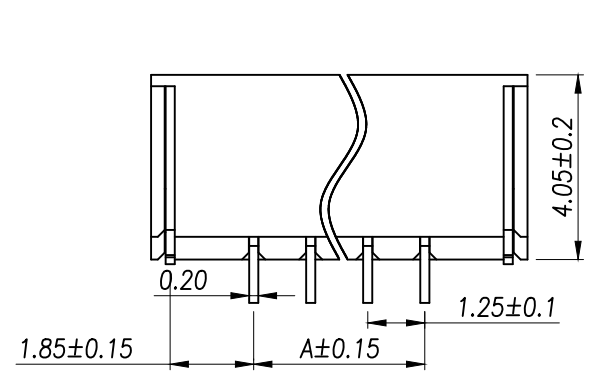


REV.	Q'TY	ECN. NO.	APR.	DATE

A  
B  
C  
D  
E  
F

A  
B  
C  
D  
E  
F



Part No	Pin	A	B	C
XY-SM02B-GHS-TB	2	1.25	5.75	3.75
XY-SM03B-GHS-TB	3	2.50	7.00	5.00
XY-SM04B-GHS-TB	4	3.75	8.25	6.25
XY-SM05B-GHS-TB	5	5.00	9.50	7.50
XY-SM06B-GHS-TB	6	6.25	10.75	8.75
XY-SM07B-GHS-TB	7	7.50	12.00	10.00
XY-SM08B-GHS-TB	8	8.75	13.25	11.25
XY-SM09B-GHS-TB	9	10.00	14.50	12.50
XY-SM10B-GHS-TB	10	11.25	15.75	13.75
XY-SM11B-GHS-TB	11	12.50	17.00	15.00
XY-SM12B-GHS-TB	12	13.75	18.25	16.25
XY-SM13B-GHS-TB	13	15.00	19.50	17.50
XY-SM14B-GHS-TB	14	16.25	20.75	18.75
XY-SM15B-GHS-TB	15	17.50	22.00	20.00
XY-SM16B-GHS-TB	16	18.75	23.25	21.25

NOTES:

- 1.BASE: LCP
- 2.PIN: Brass
- 3.Solder Tab: Brass

SPECIFICATIONS:

- 1.Spacing: 1.25
- 2.Voltage Rating: 125V AC DC
- 3.Current Rating: 1A AC,DC
- 4.Insulation Resistance: 100MΩ Min
- 5.Contact Resistance: 20mΩ Max
- 6.Withstanding voltage: 500V AC 1/Minute
- 7.Temperatuer Range: -25℃ ~+ 85℃

DIMENSION IN mm		厦门市辛译精密电子有限公司 Xiamen XinYi Xyconn Electronics Co.,Ltd			
TOLERANCE UNLESS OTHERWISE SPECIFIED		APR.	TITLE: WAFER GH1.25 0808#08		
.X±0.35	X.*± 5°	Alex	DWG NO. XY-SMNB-GHS-TB		
.XX±0.25	.X.*± 3°	CHK. Jack	PROJ.  CUSTOMER DRAWING		
.XXX±0.15	.XX.*± 1°	DRA. Can	SIZE A4	SCALE 1:1	SHEET 1/1 REV. A