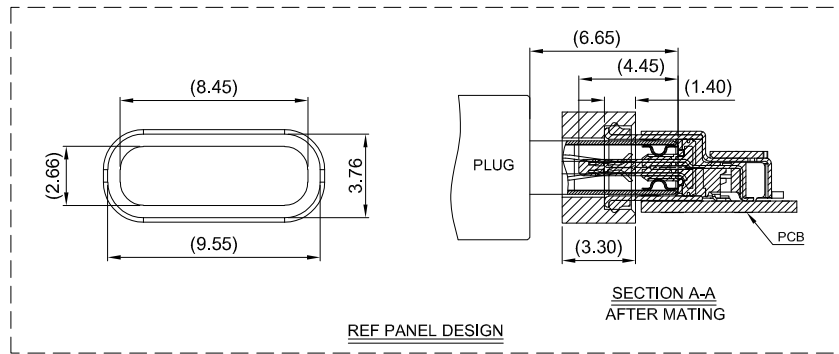
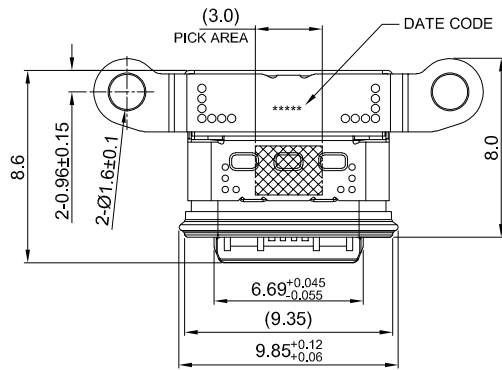
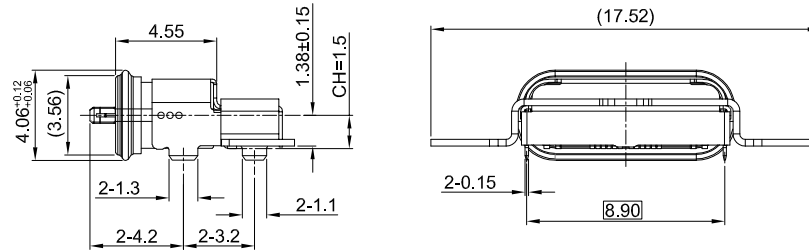
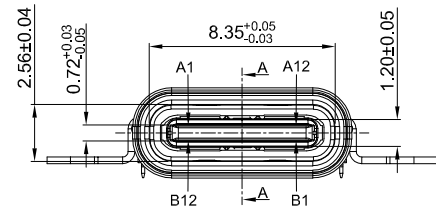


A



A

B

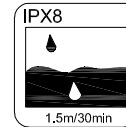
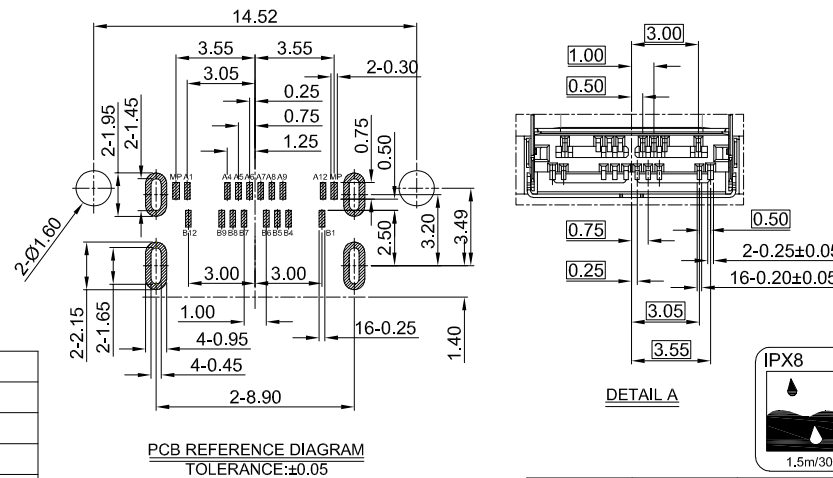
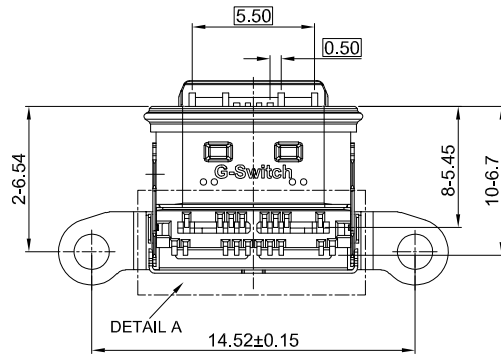


G-Switch USB-C Specification:

1. Current rated: 5A on vbus/1.25A on vconn/0.25A on other
2. Withstanding voltage: 100V AC/minute
3. Contact resistance: 40mΩ Max
4. Insulation resistance: 100MΩ Min
5. Operating temperature: -40°C ~ +85°C
6. Mating force: 5N~20N
7. Unmating force: 8N~20N
8. Durability cycle: 10,000 cycles
9. Waterproof grade: IP-X8.
10. Compliant with: IEC62680-1-3

B

品赞电子(东莞)有限公司



A1	A2	A3	A4	A5	A6	A7	A8	A9	A10	A11	A12
GND			VBUS	CC1	D+	D-	SBU1	VBUS			GND
First			First	Second	Second	Second	Second	First			First
B12	B11	B10	B9	B8	B7	B6	B5	B4	B3	B2	B1
GND			VBUS	SBU2	D-	D+	CC2	VBUS			GND
First			First	Second	Second	Second	Second	First			First

D

D

10	BRACKET	SUS301	Ni30u"MIN PLATED
9	EMI	SUS301	Ni30u"MIN PLATED
8	ADHESIVE	EPOXY RESIN	BLACK
7	WATERPROOF RING	SILIGA GEL	BLACK
6	INSIDE PLATE	SUS304	-
5	OUT SHELL	SUS304	Ni30u"MIN PLATED
4	INNER SHELL	SUS316	-
3	MID PLATE	SUS301	-
2	TERMINALS	COPPER ALLOY C7025	Au3u"MIN PLATING ON CONTACT AREA Au1u"MIN PLATING ON SOLDER AREA
1	HOUSING	PA9T	BLACK UL 94 V-0
NO.	PARTS	MATERIAL	REMARKS



SCALE: 1:1	UNIT: mm	Title: IPX8 Horizontal Type-C 16P Female SMT CH=1.5 L=8.0mm	
SIZE: A4		Molde Code: GT-USB-9045H	
Unless otherwise General Tolerance:		DRAWN	CHECKED
X.	±0.40	APPROVED	DATE
X.x	±0.30	Wu	Xla
X.xx	±0.20	Chen	2024.12.17
X.xxx	±0.10		
X"	±5°		



REV: A1	SHEET: 1/1
---------	------------

E

E

品赞电子(东莞)有限公司