

1

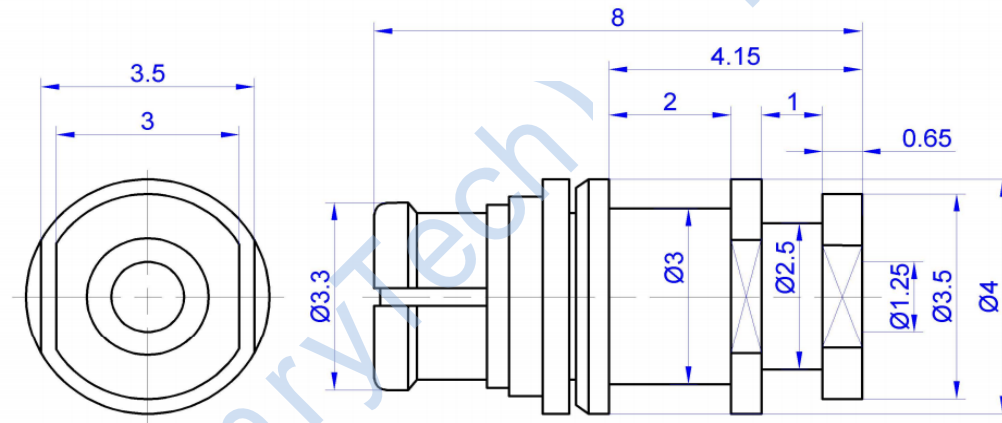
2

3

4

This document contains proprietary information and such information may not be disclosed to others for any purposes,
not used for sales/marketing/procurement purposes without written permission

REV	DESCRIPTION OF REVISION	ECN NO.	BY	DATE	APPROVED
A	Initial Release	—	H.wei	12/7/06	12/7/06



技术特性/Electrical Specifications

特性阻抗/Impedance	50 Ω
频率范围/Frequency Range	DC-18GHz
电压驻波比/VSWR	≤1.25
插入损耗/Insert Loss	≤0.1xsqt. (f GHz)dB
耐压/Withstanding Voltage	≥500Vrms
绝缘电阻/Insulation Resistance	≥1000MΩ

材料/Material Data

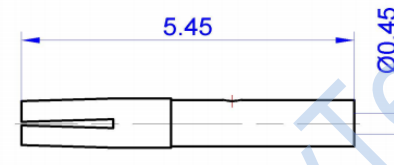
外导体/Outer contact	铍铜 Beryllium Copper/金 gold Plated
中心导体/Center contact	铍铜 Beryllium Copper/金 gold Plated
卡环/Retainer Ring	铍铜 Beryllium Copper/金 gold Plated
绝缘介质/Insulator	聚四氟乙烯/PTFE

连接参数/The connection parameters

耐久性/durability	≥500次 (cycles)
----------------	----------------

环境参数/Environmental Data

温度范围/Temperature Range	-40°C to 155°C
------------------------	----------------



Notes:

- ALL SPECIFICATIONS ARE SUBJECT TO CHANGE NOTICE AT ANY TIME
- CUSTOMER OUTLINE DRAWING FOR REFERENCE ONLY

DRAWN: H.wei 12/07/06	TITLE: RF Coaxial Connector SMP Female Conn. Terminal
ENGINEER: L.yu 12/07/06	
APPROVED: W.yi 12/07/06	
TOLERANCES UNLESS OTHERWISE SPECIFIED X ±0.50 .X ±0.20 .XX ±0.10 ANGLES ±1°	

PART NO: HL3-SMP-KB1



DIMENSION IN MILLIMETERS (mm)

SIZE: A4	SCALE: N/A	SHEET: 1/1	REV: A
----------	------------	------------	--------