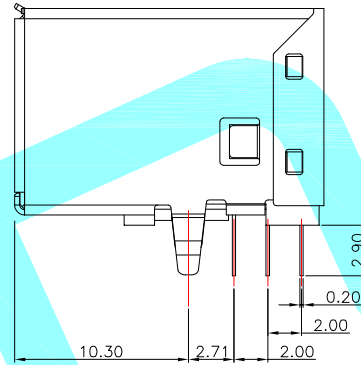


RECOMMEND P.C.B LAYOUT COMPONENT SIDE
 DEFAUET TOLERANCES:±0.05 (PCB T=1.6mm)

Pin NUMBER	SIGNAL NAME
1	VBUS
2	D-
3	D+
4	GND
5	StdB_SSTX-
6	StdB_SSTX+
7	GND_DRAIN
8	StdB_SSRX-
9	StdB_SSRX+
Shell	Shield



SPECIFICATIONS:

Contact current Rating:

1.8 Amperes for pin1&pin4.

0.25 Amperes other contacts.

Dielectric Withstanding Voltage:AC 100V(RMS)

Insulation resistance:100Megohms Minimum.

Contact Resistance:

30mΩ Max for pin1&pin4

50mΩ Max for other contacts.

Mechanical Characteristics:

Mating Force:35 Newtons.Maximum

Unmating Force:10 Newtons.Mlimum.

8N Min After Durability.

operating Temperature:-55° to +85°.

③	Shell	—	1	Copper Alloy	Ni Plated	—
②	Contact	—	9	Copper Alloy	Au/Tin Plated	—
①	Housing	—	1	LCP	Blue	—
ITEM	PART NAME	TER'NO.	QTY.	MATERIAL	FINISHING	REMARK

APPROVALS			DATE			
DRAWN	LIUCAN		2022.11.5			
CHECKED					PART NO.	U-B-M9DD-W-1
APPROVALS					UNIT: mm	SCALE: 1:1
TOLERANCES ARE	30~以上	±0.30	ANGLE	±2'	DRAWING NO.	PROJ:
	10~30	±0.25				
	5~10	±0.20				
	~ 5	±0.15				

ECN NO.	REV.	DATE.	DESCRIPTION.	CHANGE.	CHECK.	APPRO.
—	A	—	NEW	—	—	—