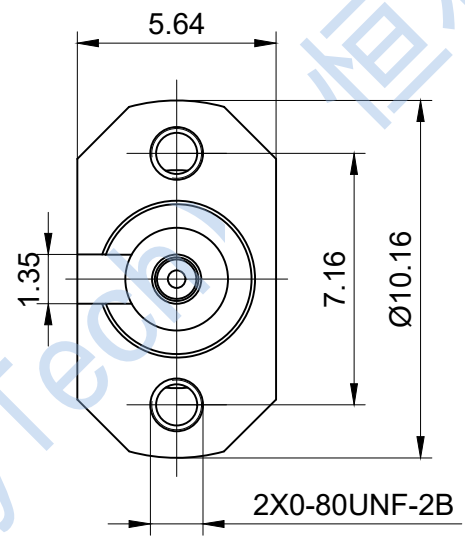
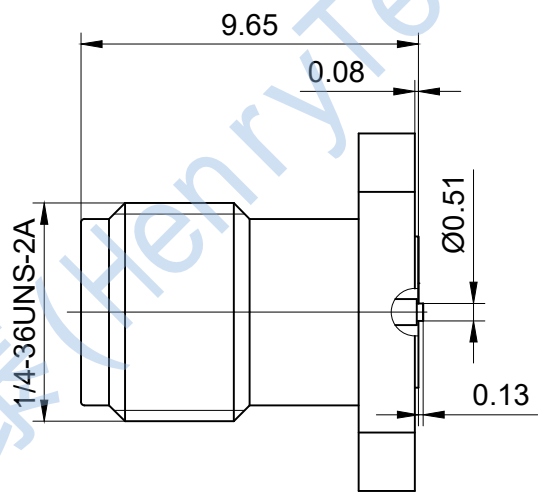


This document contains proprietary information and such information may not be disclosed to others for any purposes, not used for sales/marketing/procurement purposes without written permission

REV	DESCRIPTION OF REVISION	ECN NO.	BY	DATE	APPROVED
A	Initial Release	—	H.wei	12/7/06	12/7/06



**技术特性/Electrical Specifications**

特性阻抗/Impedance	50 Ω
频率范围/Frequency Range	DC-40GHz
电压驻波比/VSWR	≤1.20
插入损耗/Insert Loss	≤0.06xsq.(f GHz)dB
耐压/Withstanding Voltage	≥1000V
绝缘电阻/Insulation Resistance	≥5000MΩ

**材料/Material Data**

外导体/Outer contact	不锈钢 Stainless Steel/钝化 Passivation
中心导体/Center contact	铍青铜 Beryllium Bronze/金 gold Plated
绝缘介质/Insulator	聚醚酰亚胺/PEI

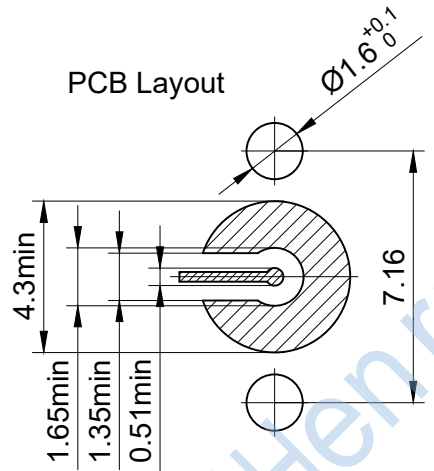
**连接参数/The connection parameters**

耐久性/durability	≥500次 (cycles)
----------------	----------------

**环境参数/Environmental Data**

温度范围/Temperature Range	-55°C to 165°C
------------------------	----------------

**PCB Layout**



**Notes:**

- 1. ALL SPECIFICATIONS ARE SUBJECT TO CHANGE NOTICE AT ANY TIME
- 2. CUSTOMER OUTLINE DRAWING FOR REFERENCE ONLY

DRAWN: H.wei 12/07/06 ENGINEER: L.yu 12/07/06 APPROVED: W.yi 12/07/06 TOLERANCES UNLESS OTHERWISE SPECIFIED .X ±0.50 .X ±0.20 .XX ±0.10 ANGLES ±1°	<b>TITLE:</b> RF Coaxial Connector 2.92mm Female Flange Mount		DIMENSION IN MILLIMETERS (mm)			
PART NO: HL-2.92-KFD13-0.51	SIZE: A4		SCALE: N/A	SHEET: 1/1	REV: A	