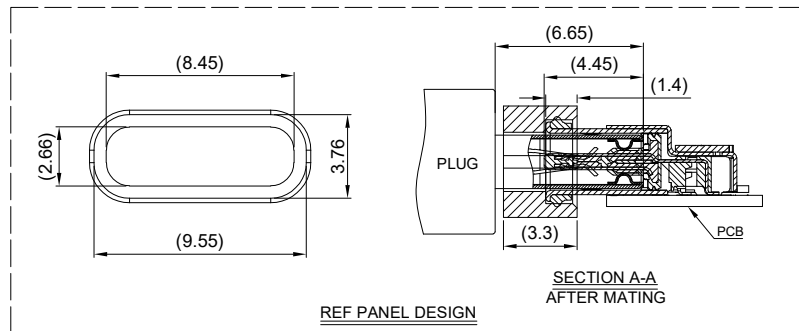
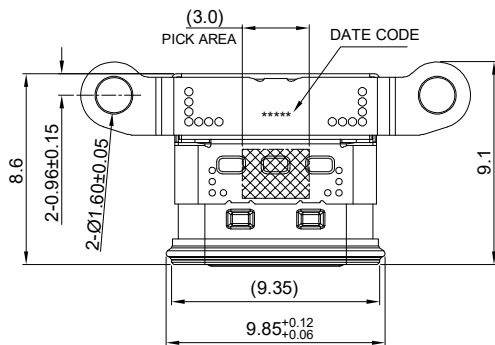
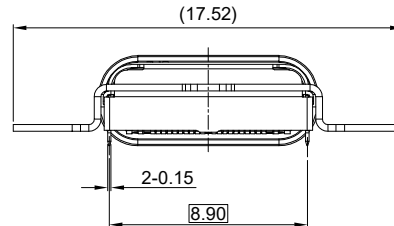
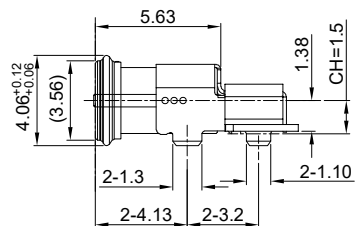
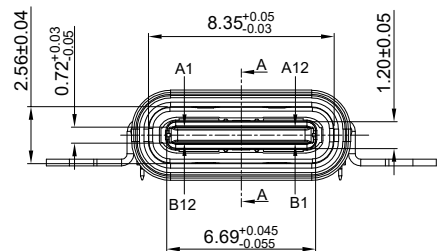


A



B

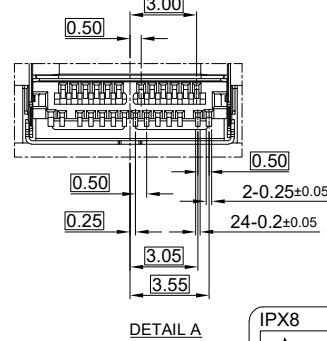
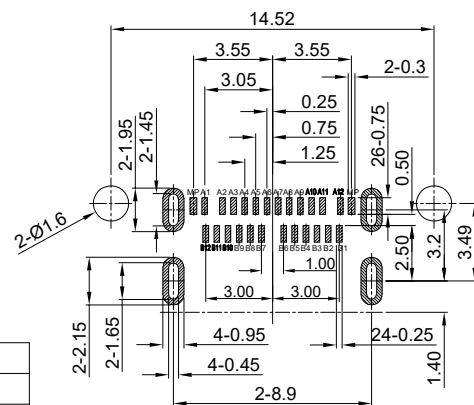
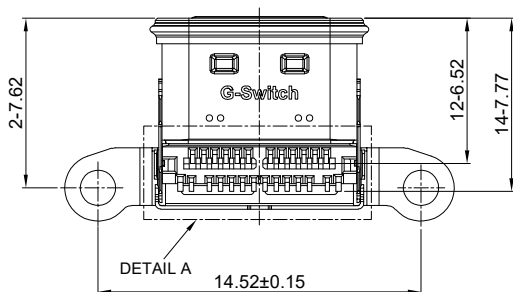


G-Switch USB-C Specification:

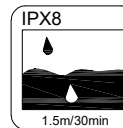
1. Current rated: 5A on vbus/1.25A on vconn/0.25A on other
2. Voltage rating: 24V AC
3. Withstanding voltage: 100V AC/minute
4. Contact resistance: 40mΩ Max
5. Insulation resistance: 100MΩ Min
6. Operating temperature: -40°C ~ +85°C
7. Mating force: 5N~20N
8. Unmating force: 8N~20N
9. Durability cycle: 10,000 cycles
10. Data transmission rate up to 10Gbp/s
11. Waterproof grade: IP-X8.

品赞电子(东莞)有限公司

D



PCB REFERENCE DIAGRAM
TOLERANCE:±0.05



A1	A2	A3	A4	A5	A6	A7	A8	A9	A10	A11	A12
GND	TX1+	TX1-	VBUS	CC1	D+	D-	SBU1	VBUS	RX2-	RX2+	GND
First	Second	Second	First	Second	Second	Second	Second	First	Second	Second	First
B12	B11	B10	B9	B8	B7	B6	B5	B4	B3	B2	B1
GND	RX1+	RX1-	VBUS	SBU2	D-	D+	CC2	VBUS	TX2-	TX2+	GND
First	Second	Second	First	Second	Second	Second	Second	First	Second	Second	First

E

10	BRACKET	SUS301	Ni30u"MIN PLATED
9	EMI	SUS301	Ni30u"MIN PLATED
8	ADHESIVE	EPOXY RESIN	BLACK
7	WATERPROOF RING	SILIGA GEL	BLACK
6	INSIDE PLATE	SUS304	--
5	OUT SHELL	SUS304	Ni30u"MIN PLATED
4	INNER SHELL	SUS316	--
3	MID PLATE	SUS301	--
2	TERMINALS	COPPER ALLOY C7025	Au3u"MIN PLATING ON CONTACT AREA Au1u"MIN PLATING ON SOLDER AREA
1	HOUSING	PA9T	BLACK UL 94 V-0
NO.	PARTS	MATERIAL	REMARKS



SCALE: 1:1 UNIT: mm
SIZE: A4

Unless otherwise General Tolerance:
X: ±0.40
X.x ±0.30
X.xx ±0.20
X.xxx ±0.10
X" ±5°

Title: IPX8 Horizontal Type-C 24P Female
SMT CH=1.5 L=9.1mm

Molde Code: GT-USB-9045D

DRAWN	CHECKED	APPROVED	DATE
Wu	Xia	Chen	2024.12.17



REV: A1 SHEET: 1/1