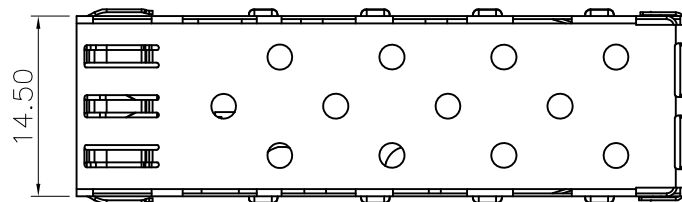
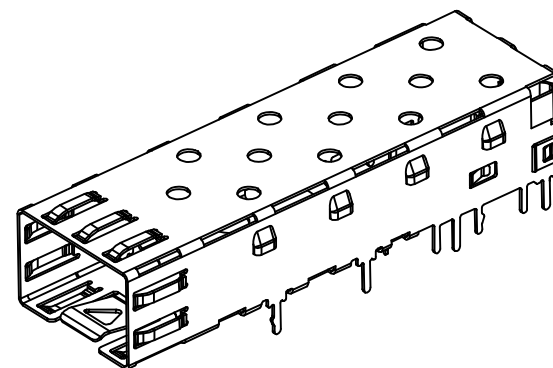
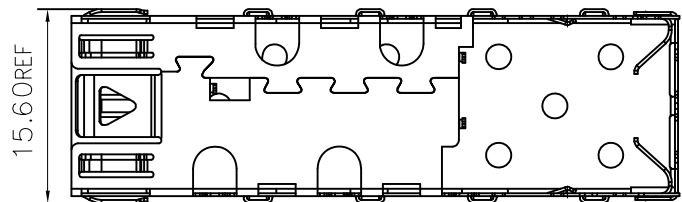
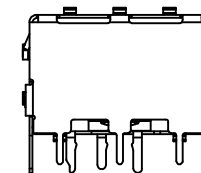
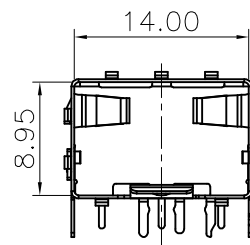
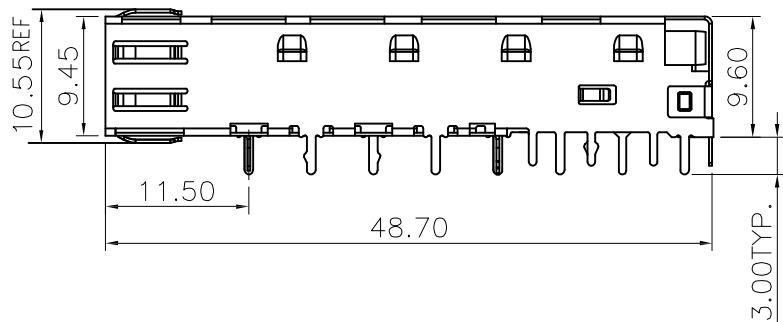


RoHS Compliant

更改 REV	设计内容 MODIFICATION	日期 DATE	制图 DRAW	核准 APPROVE
A	图面发行	2012/10/29	SL.WANG	QG.CHEN



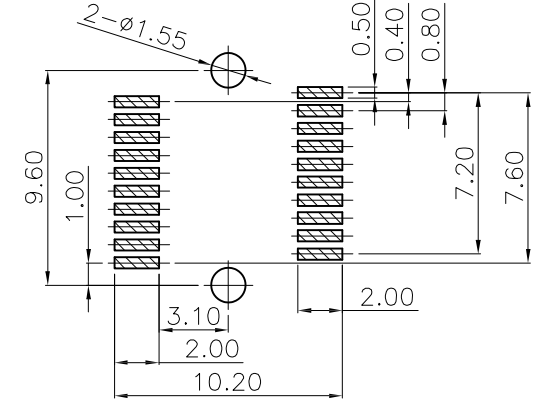
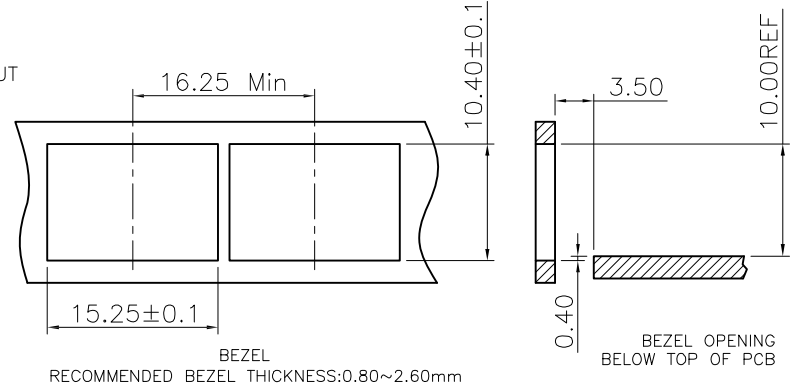
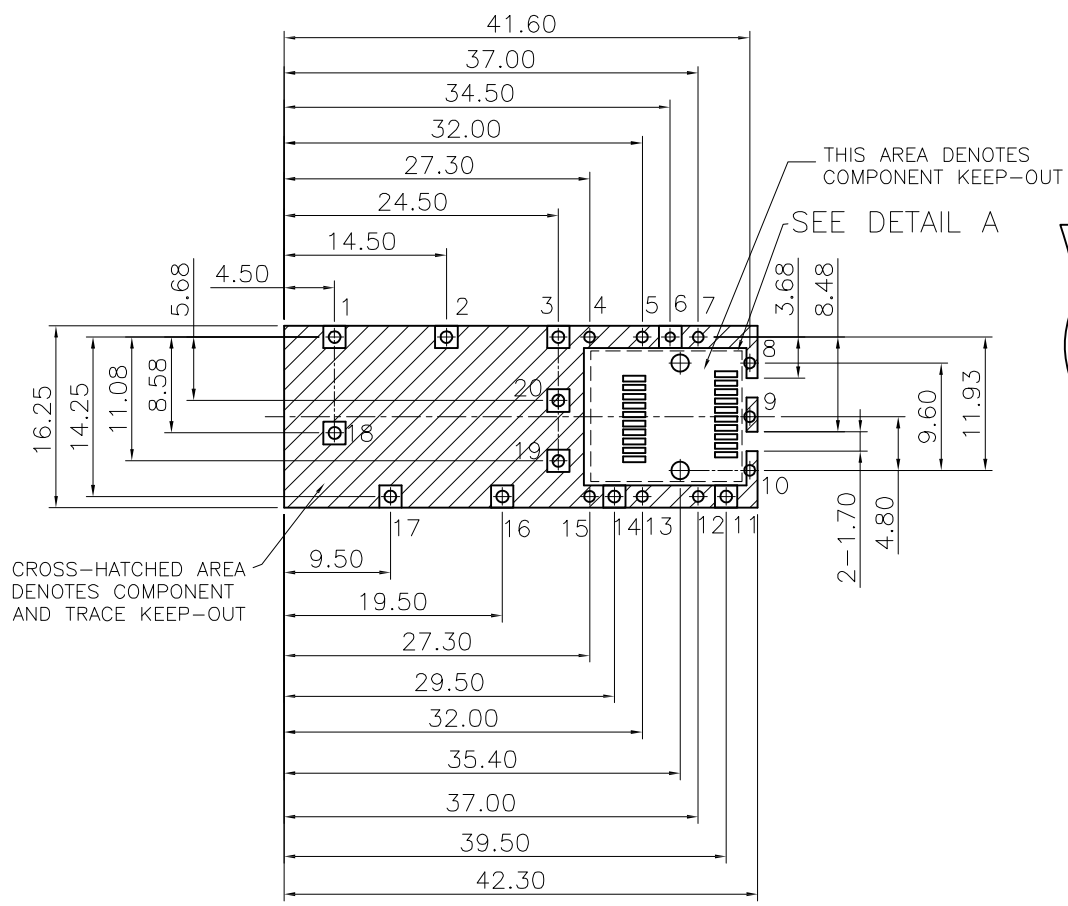
NOTES:
 MECHANICAL:
 CAGES: COPPER ALLOY, THICKNESS 0.25MM.
 PLATED: SELECTIVE PLATED OVER NICKEL
 PLATED NICKEL 50u"~80u"
 TEMPERATURE:
 OPERATION: -40°C~+85°C
 STORAGE: -40°C~+85°C
 RoHS COMPLIANCE.

http://www.cd-tek.com		深圳磁联达电子有限公司		
DIMENSION IN mm [Inch]		Shen Zhen Cilianda Electronics Co., Ltd		
TOLERANCE UNLESS OTHERWISE SPECIFIED		料号 PART NO:	图号 DWC NO.	
.X± 0.25	X.*± 1°	SFP-1X1-L0-DZ	SFP-1X1-GZ	
.XX± 0.20	.X.*± 0.5°	名称 TITLE		
.XXX± 0.15		SFP 46012000001 1x1H		
核准 APPROVE	审核 CHECK	制图 DRAW	角法 PROJ.	页数 SHEET
QG.CHEN	X.YAN	SL.WANG	1:1 比例 SCALE	1 / 1
			图纸 SIZE	更改 REV
			A3	A

If you have any questions, Don't hesitate to email sales@rj45.jack.com, please!

RoHS Compliant

更改 REV	设计内容 MODIFICATION	日期 DATE	制图 DRAW	审核 APPROVE
A	图面发行	2012/10/29	SL.WANG	QG.CHEN



1. RECOMMENDED PCB THICKNESS:2.36
(MINIMUM PCB THICKNESS:1.57)
(ALL TOLERANCES ARE ±0.05)
- 1,2,3,11,14,16,17,18,19,20#孔直径为1.05mm;
4,5,7,8,9,10,12,13,15#孔直径为0.95mm;
6#孔直径为0.85mm;

http://www.cd-tek.com		深圳磁联达电子有限公司	
DIMENSION IN mm [Inch]		Shen Zhen Cilianda Electronics Co., Ltd	
TOLERANCE UNLESS OTHERWISE SPECIFIED		料号 PART NO:	图号 DWG NO.
.X± 0.25	X.*± 1°	SFP-1X1-L0-DZ	SFP-1X1-GZ
.XX± 0.20	.X*± 0.5°	名称 TITLE	
.XXX± 0.15		SFP 46012000001 1x1H	
核准 APPROVE	审核 CHECK	制图 DRAW	画法 PROJ.
QG.CHEN	X.YAN	SL.WANG	比例 SCALE
			1:1
			图号 SIZE
			A3
			更改 REV
			A

If you have any questions, Don't hesitate to email sales@rj45.jack.com please!