

This document contains proprietary information and such information may not be disclosed to others for any purposes, not used for sales/marketing/procurement purposes without written permission

REV	DESCRIPTION OF REVISION	ECN NO.	BY	DATE	APPROVED
A	Initial Release	—	H.wei	19/03/17	19/03/17

### 1 Electrical

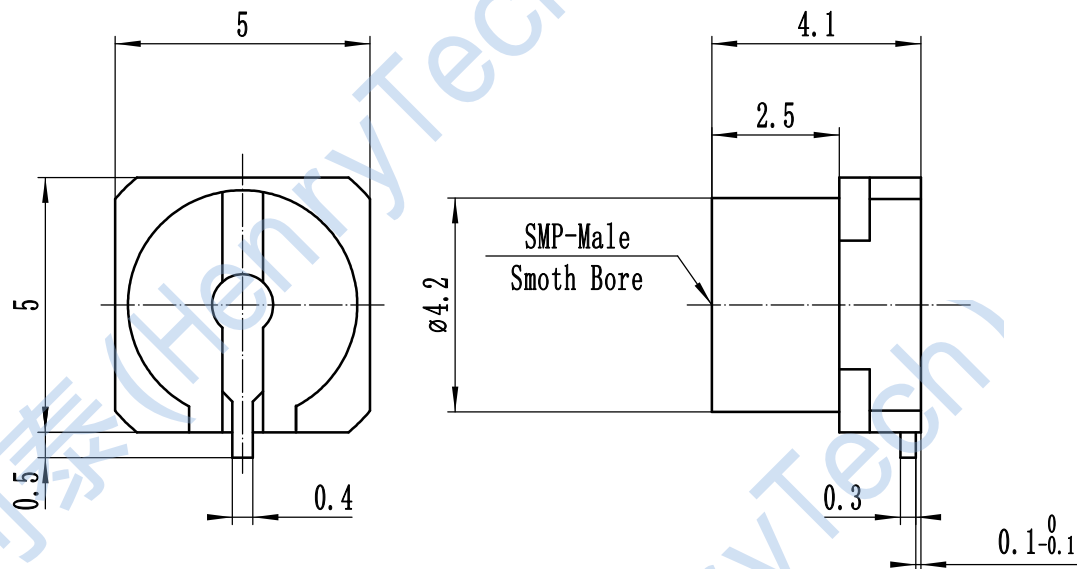
- 1.1 Impedance: 50 Ω
- 1.2 Frequency: DC~16.0GHz
- 1.3 VSWR: ≤1.40
- 1.4 Insulation resistance: ≥5000MΩ
- 1.5 Dielectric strength: 500V
- 1.6 Center contact ≤ 3.0mΩ
- 1.7 Outer contact ≤ 2.0mΩ

### 2 Environmental&Mechanical

- 2.1 Temperature range: -55℃~+125℃
- 2.2 RoHs Compliant
- 2.3 Durability: >500 cycles


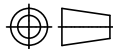
### 3 Materials&Finish

- 3.1 Body:Brass,Gold plated;
- 3.2 Insulator:PTFE;
- 3.3 Contact Pin:Brass,Gold plated;



#### Notes:

- 1. ALL SPECIFICATIONS ARE SUBJECT TO CHANGE NOTICE AT ANY TIME
- 2. CUSTOMER OUTLINE DRAWING FOR REFERENCE ONLY

DRAWN: H.wei 19/03/17	TITLE:				
ENGINEER: L.yu 19/03/17	RF Coaxial Connector SMP Male Connector For PCB				
APPROVED: W.yi 19/03/17		 DIMENSION IN MILLIMETERS (mm)			
TOLERANCES UNLESS OTHERWISE SPECIFIED		SIZE: A4	SCALE: N/A	SHEET: 1/1	REV: A
X ±0.50					
.X ±0.20					
.XX ±0.10					
ANGLES ±1°					
PART NO: HL-SMP(S)-JHT1					