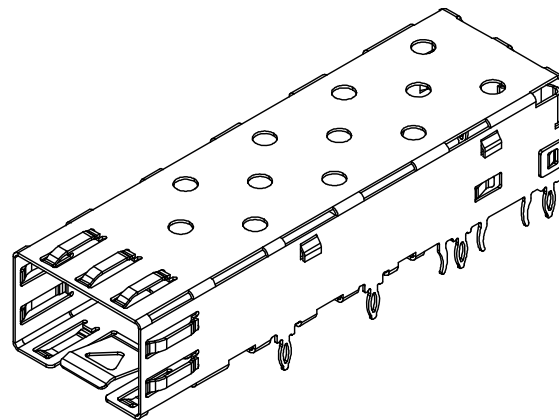
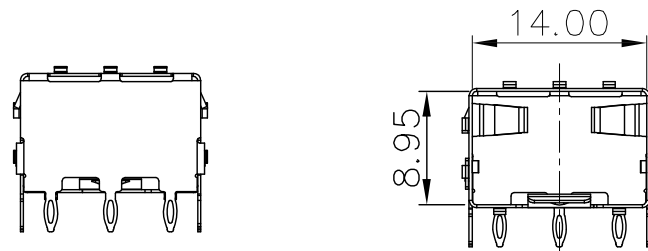
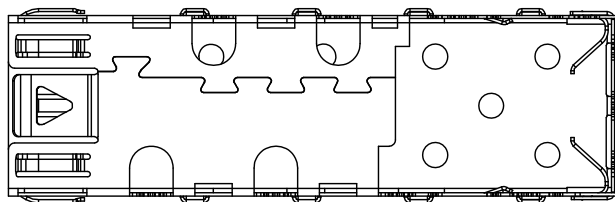
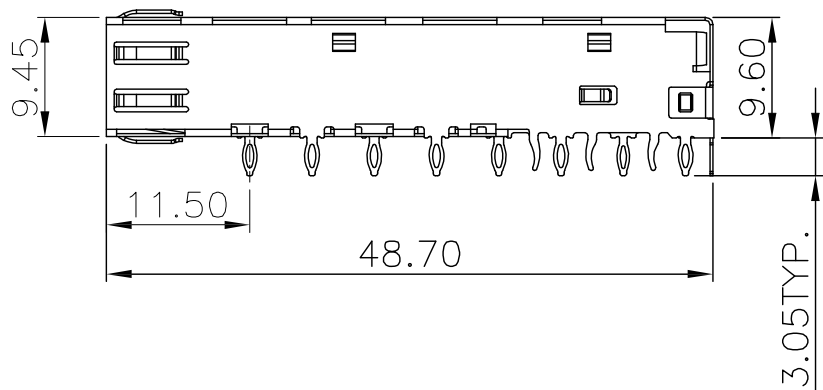
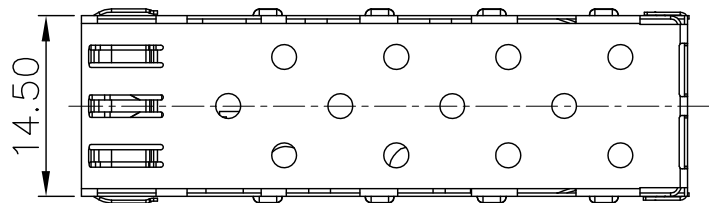


RoHS Compliant

更改 REV	设计内容 MODIFICATION	日期 DATE	制图 DRAW	核准 APPROVE
A	图面发行	2012/10/29	SL.WANG	QG.CHEN



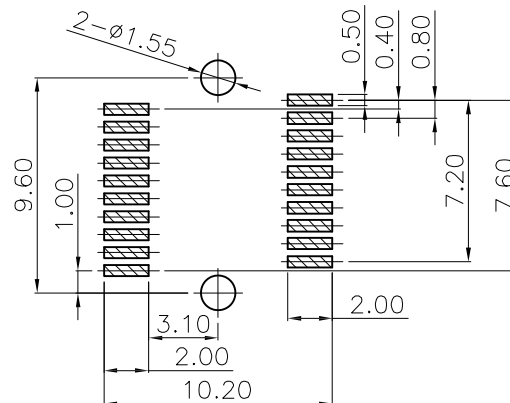
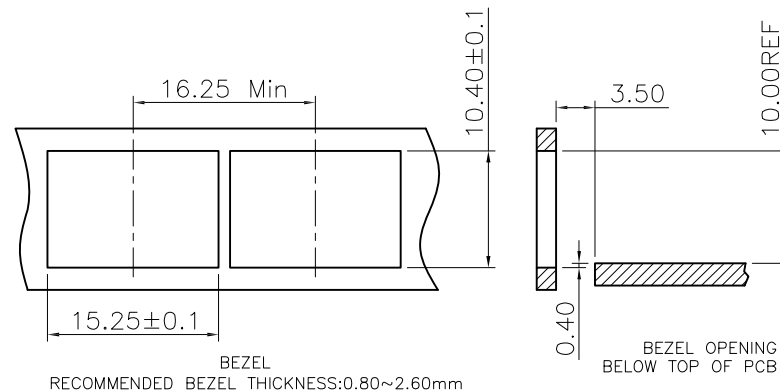
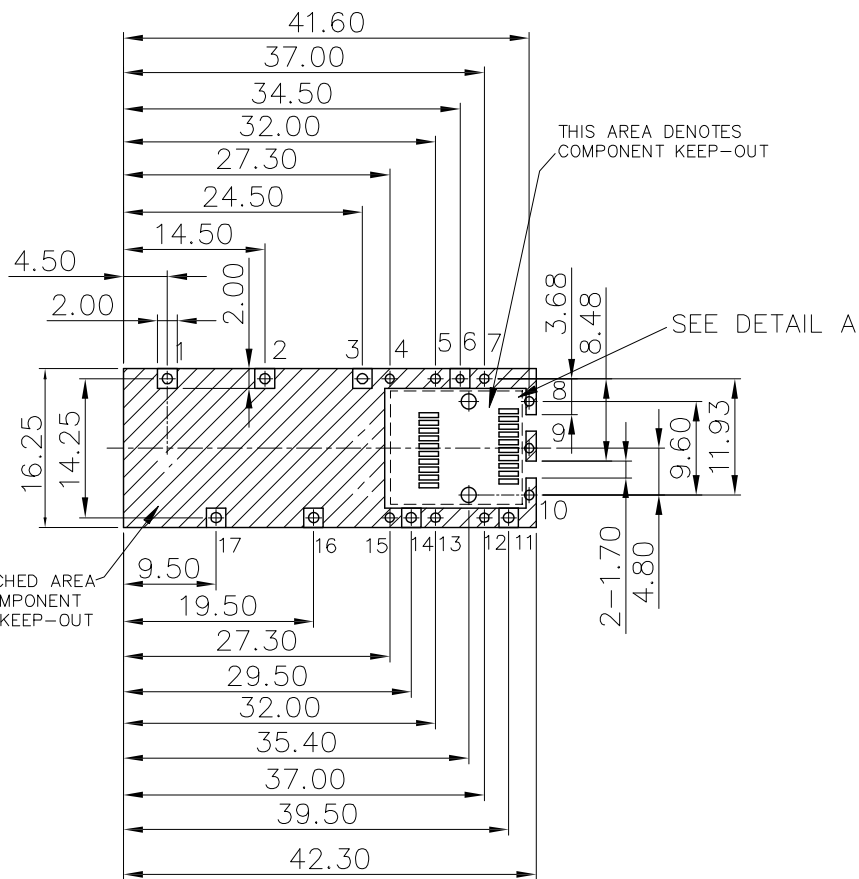
NOTES:
 MECHANICAL:
 CAGES: COPPER ALLOY, THICKNESS 0.25MM.
 PLATED: SELECTIVE PLATED OVER NICKEL
 PLATED NICKEL 50u"~80u"
 TEMPERATURE:
 OPERATION: -40°C~+85°C
 STORAGE: -40°C~+85°C
 RoHS COMPLIANCE.

http://www.cd-tek.com		深圳磁联达电子有限公司			
: Inspection Item		DIMENSION IN mm [Inch]		Shen Zhen Cilianda Electronics Co., Ltd	
: Cp/Cpk and SPC Control Item	TOLERANCE UNLESS OTHERWISE SPECIFIED		料号 PART NO:	图号 DWC NO.	
	.X± 0.25	X.*± 1°	SFP-1X1-LN-PD	SFP-1X1-GZ	
	.XX± 0.20	.X*± 0.5°	名称 TITLE		
	.XXX± 0.15		SFP 46016000001 1x1Y		
核准 APPROVE	审核 CHECK	制图 DRAW	角法 PROJ.	页次 SHEET	1 / 1
QG.CHEN	X.YAN	SL.WANG	比例 SCALE	图纸 SIZE	A3
			1:1	更改 REV	A

If you have any questions, Don't hesitate to email sales@rj45.jack.com, please!

RoHS Compliant

更改 REV	设计内容 MODIFICATION	日期 DATE	制图 DRAW	核准 APPROVE
A	图面发行	2012/10/29	SL.WANG	QG.CHEN



DETAIL A(SCALE 2:1)

- RECOMMENDED PCB THICKNESS:2.36
(MINIMUM PCB THICKNESS:1.57)
(ALL TOLERANCES ARE ±0.05)

1,2,3,11,14,16,17#孔直径为1.05mm;
4,5,7,8,9,10,12,13,15#孔直径为0.95mm;
6#孔直径为0.85mm;

http://www.cd-tek.com		深圳磁联达电子有限公司	
DIMENSION IN mm [Inch]		Shen Zhen Cilianda Electronics Co., Ltd	
TOLERANCE UNLESS OTHERWISE SPECIFIED		料号 PART NO: SFP-1X1-LN-PD	图号 DWC NO. SFP-1X1-GZ
.X± 0.25	X.*± 1°	名称 TITLE SFP 46016000001 1x1Y	
.XX± 0.20	.X*± 0.5°		
.XXX± 0.15			
核准 APPROVE QG.CHEN	审核 CHECK X.YAN	制图 DRAW SL.WANG	角法 PROJ. 比例 SCALE 1:1 图框 SIZE A3 页次 SHEET 1 / 2 更改 REV A

If you have any questions, Don't hesitate to email sales@rj45.jack.com, please!