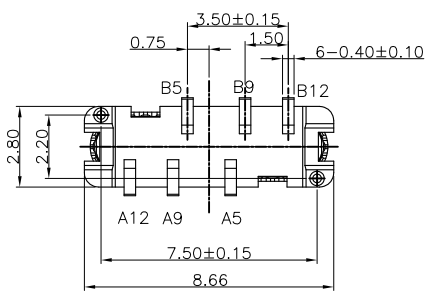
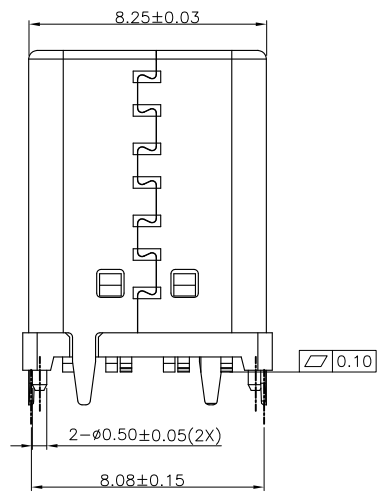
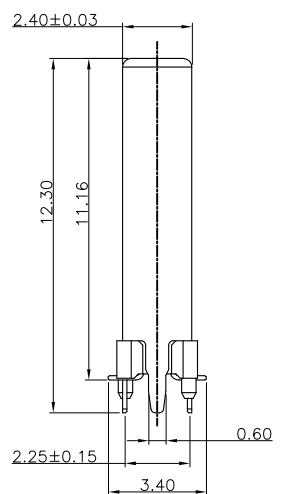
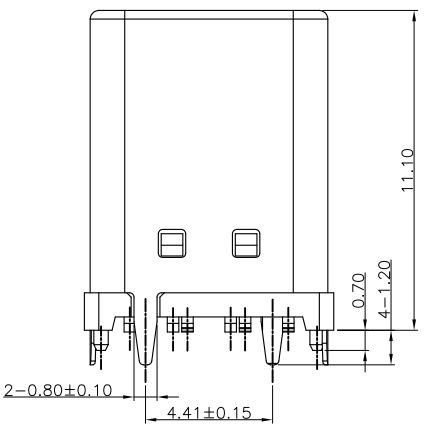
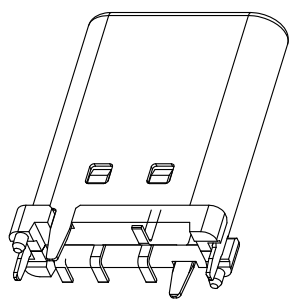
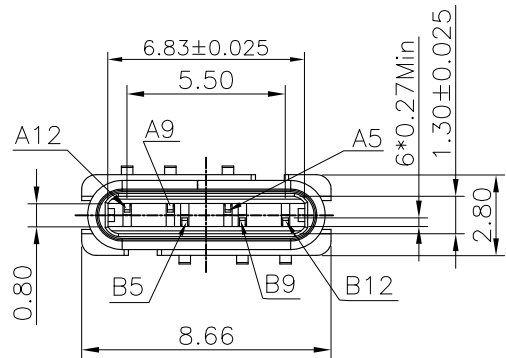


REV. (版本号)	DESCRIPTION (变更说明)	DATE (日期)	APPD (核准)
A0	新订图面	2022.04.22	ZHUANG

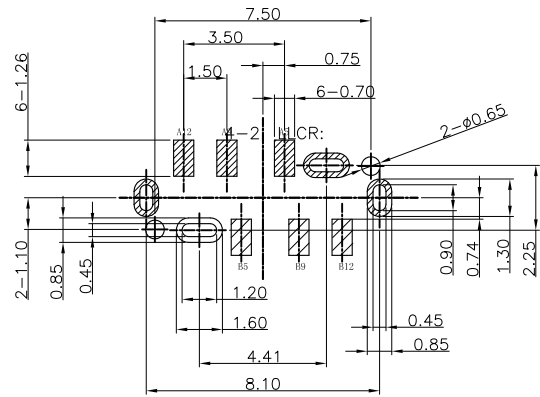
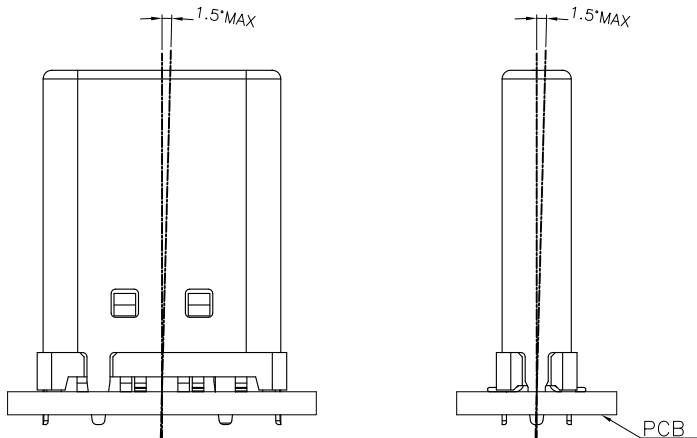


NOTE:  
1.MATERIAL SPECIFICATION:  
1.HOUSING&PICKUP COVER:LCP,UL94 V-0.  
2.CONTACTS: COPPER ALLOY(C7025)  
3.FRONT SHELL: STAINLESS STEEL(SUS304)  
2.PLATING SPECIFICATION:  
2-1.CONTACTS:  
Ni 50u" MIN. UNDER PLATED OVER ALL.  
Au PLATED ON THE FUNCTIONAL AREA OF CONTACT.  
(GOLD PLATING THICKNESS FOLLOW THE P/N)  
PLATING SPECIFICATIONS OF THE SOLDER AREA FOLLOW THE P/N  
2-2.FRONT SHELL:  
Ni 30u" MIN. UNDER PLATED OVER ALL.  
3.MECHANICAL PERFORMANCE,  
3-1.INSERTION FORCE: 0.5~2.0kgf.  
3-2.REMOVAL FORCE: 0.8kgf~2.0kgf.  
3-3.DURABILITY: 10000 CYCLES.  
4.ELECTRICAL PERFORMANCE,  
4-1. CURRENT RATING:3.0A  
VOLTAGE RATING:5.0V  
4-2. LLCR:  
VBUS & GND PINS AND OTHER PINS: 40mΩ/PIN MAX.  
SHIELD: 50mΩ/MAX.  
LLCR MAX. CHANGE OF ALL PINS: 10mΩ.  
4-3.INSULATION RESISTANCE: 100MΩ MIN  
4-4.DIELECTRIC WITHSTAND VOLTAGE,AC 100V FOR 1 MINUTE.  
5. ENVIRONMENTAL PERFORMANCE:  
OPERATING TEMPERATURE: -25°C~+85°C.  
6.IR REFLOW:  
THE PEAK TEMPERATURE ON THE BOARD SHALL  
BE MAINTAINED FOR 10 SECONDS AT 260°C.

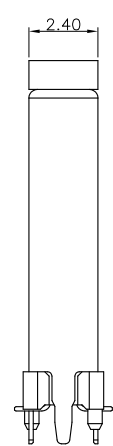
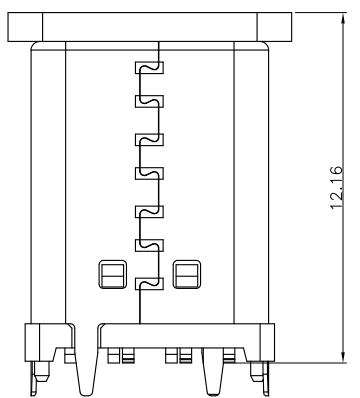
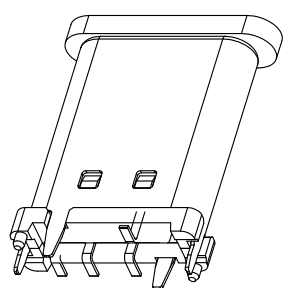
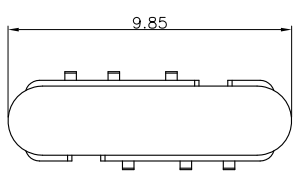
A5	CC1	B12	GND
A9	VBUS	B9	VBUS
A12	GND	B5	CC2
PIN	SIGNAL NAME	PIN	SIGNAL NAME

<b>深圳市宇文发电子科技有限公司</b> Shen Zhen Yu Wen Fa Electronics Technology Co.,Ltd TEL:0755-27711235 FAX:0755-27712683		页码 (SHEET)	1/2	单位(UNIT): MM
		版本 (REV)	A0	比例(SCALE) 1:1
品名 (ITEM NO)	USB TYPE C 公头 6P直立式	日期 (DATE)	2022.04.22	 <b>未注公差</b> TOLERANCE UNSPECIFIED X.X ±0.30 X.XX ±0.25 X.XXX ±0.15 X° ±5° X.X° ±2°
料号 (PART NO)	PTCMW-H12B-007	设计 (DESIGN)	ZHUANG	
图号 (DWG NO)	P-TCM-004	审核 (CHECKED)		
		核准 (APPROVED)		

REV. (版本号)	DESCRIPTION (变更说明)	DATE (日期)	APPD (核准)
A0	新订图面	2022.04.22	ZHUANG



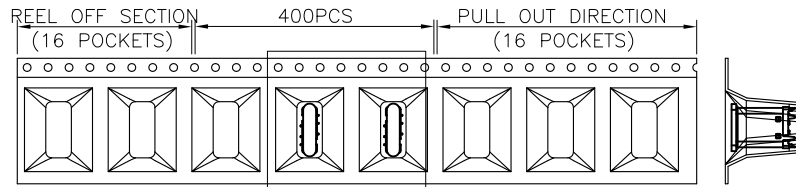
RECOMMENDED PCB LAYOUT(t=0.80±0.05)  
COMPONENT SIDE(GENERAL TOLERANCE:±0.05)



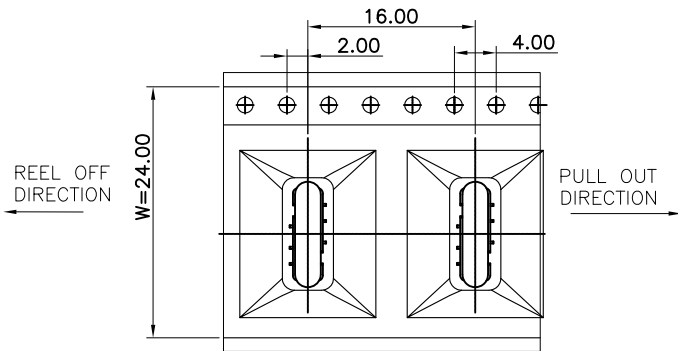
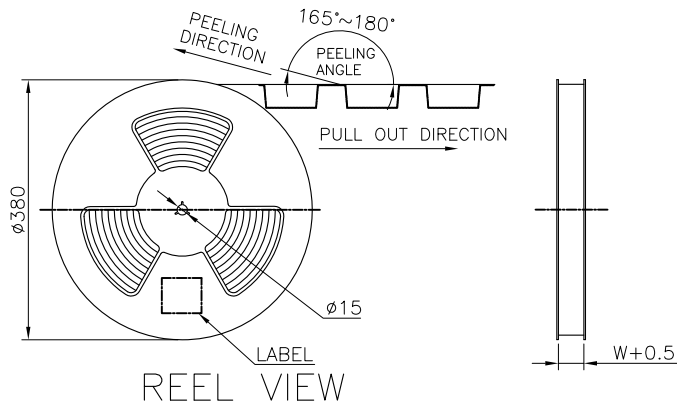
 <b>深圳市宇文发电子科技有限公司</b> Shen Zhen Yu Wen Fa Electronics Technology Co., Ltd TEL:0755-27711235 FAX:0755-27712683		页码 (SHEET)	2/2	单位(UNIT): MM
		版本 (REV)	A0	比例(SCALE) 1:1
品名 (ITEM NO)		USB TYPE C 公头 6P直立式	日期 (DATE)	2022.04.22
料号 (PART NO)		PTCMW-H12B-002	设计 (DESIGN)	ZHUANG
图号 (DWG NO)		P-TCM-004	审核 (CHECKED)	未注公差 TOLERANCE UNSPECIFIED X.X ±0.30 X.XX ±0.25 X.XXX ±0.15 X° ±5° X.X° ±2°
			核准 (APPROVED)	

RoHS Compliant

REV.	ECN NO	DESCRIPTION	REVISER	DATE
A/0				
A/1				



SEE DETAIL X



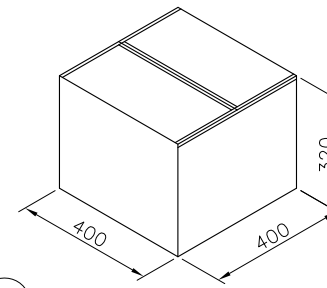
DETAIL X SCALE 2:1

包装数量:

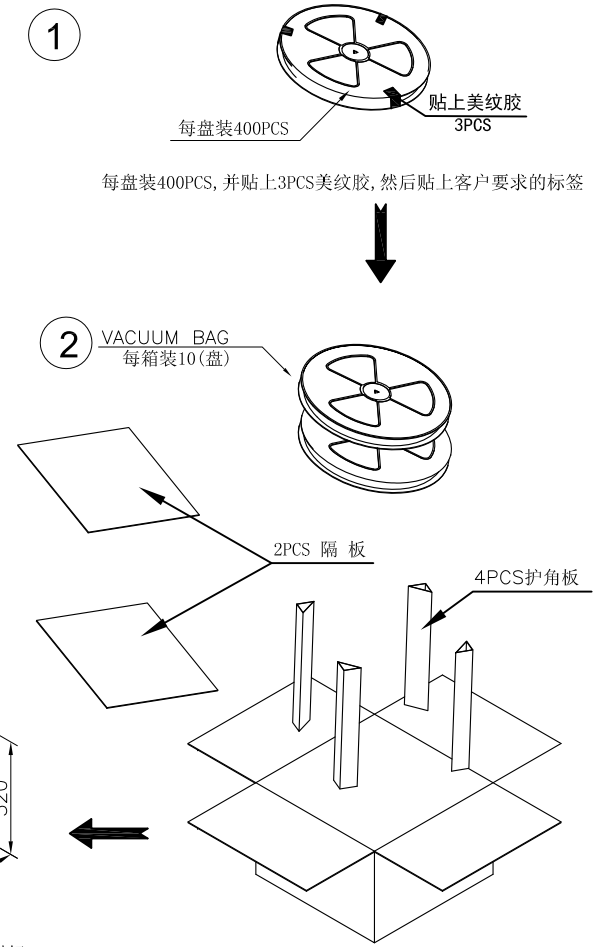
	REEL/TRAY	CARTON
CONNECTOR (PCS)	400	4000

备注:

1. 每盘装400PCS,并贴上3PCS美纹胶,然后贴上对应的产品标签.
2. 纸箱底部先垫一隔板,并在内箱四个内角各放置一个三角架,把10卷(4000PCS)封装好的产品标签一律朝上平放进纸箱中上层盖上一隔板,再用封箱胶纸将内箱口於“工”字型封好.



4 用封箱胶纸将内箱口於“工”字型封好.



图号 (DWG NO)		单位 (UNIT): MM	深圳市宇文发电子科技有限公司 Shen Zhen Yu Wen Fa Electronics Technology Co.,Ltd TEL:0755-27711235 FAX:0755-27712683	
日期 (DATE)	2022. 04. 28	比例 (SCALE) 1:1		
版次 (REV): A/0	页/次(PAGE): 1/1			
设计 (DESIGN)	ZHUANG	包装规范	品名 (ITEM NO)	TYPE C 公头6Pin直立式-包装规范
审核 (CHECKED)			料号 (PART NO)	A-004R-120 普通包装
核准 (APPROVED)				