

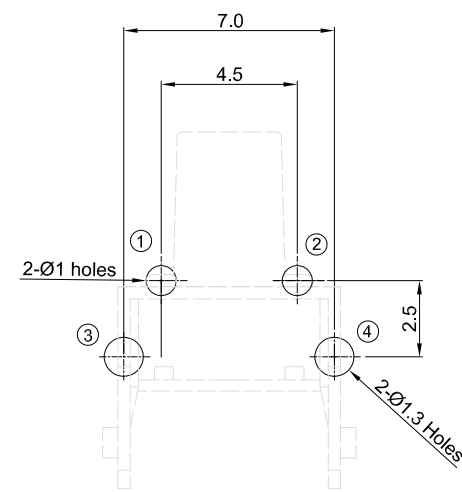
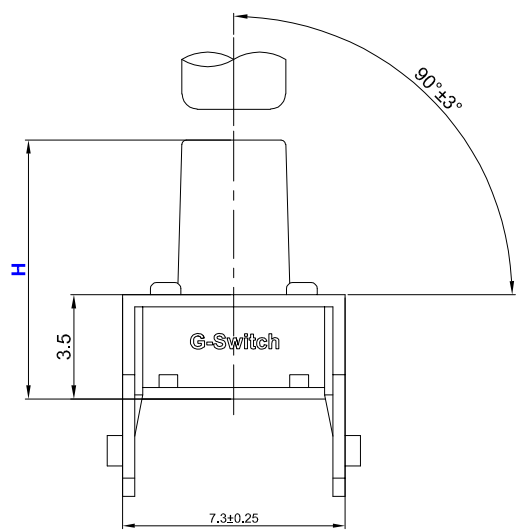
GT-TC100X-HXXX-LX

G-Switch	Operating Force	Switch Lifetime (Force)
	A=160gf	L05=50,000 Cycles
	B=250gf	L1=100,000 Cycles
	C=100gf	L3=300,000 Cycles
	D=70gf	L5=500,000 Cycles
	E=130gf	
	F=320gf	
	G=400gf	

Switch Height(mm)

H043=4.3(A3.5)	H050=5.0(A3.5)
H055=5.5(A3.5)	H060=6.0(A3.5)
H065=6.5(A3.5)	H070=7.0(A3.3)
H080=8.0(A3.3)	H085=8.5(A3.3)
H090=9.0(A3.3)	H095=9.5(A3.0)
H100=10.0(A3.0)	H105=10.5(A3.0)
H110=11.0(A3.0)	H115=11.5(A3.0)
H120=12.0(A3.0)	H125=12.5(A3.0)
H130=13.0(A3.0)	H135=13.5(A3.0)
H140=14.0(A3.0)	H145=14.5(A3.0)
H150=15.0(A3.0)	...

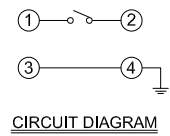
Keying Tip Tilt



RECOMMENDED PCB LAYOUT
TOLERANCE:±0.05

- G-Switch Specification:**
1. Operating temperature range: -40°C ~ +85°C
 2. Rating: 50mA, 12V DC
 3. Insulation resistance: 100MΩ min, 100V DC
 4. Dielectric strength: 250V AC for 1 min
 5. Contact resistance: 100mΩ max.
 6. Travel: 0.25±0.1mm

5	COVER	STAINLESS STEEL	--
4	STEM	HIGH TEMPERATURE PLASTIC	BLACK
3	CONTACT	STAINLESS STEEL	Ag PLATING
2	TERMINAL	COPPER ALLOY	Ag PLATING
1	BASE	HIGH TEMPERATURE PLASTIC	BLACK
NO.	PART NAME	MATERIAL	REMARK



SCALE: 1:1 UNIT: mm
SIZE: A4

Unless otherwise General Tolerance:

X.	±0.40
X.x	±0.30
X.xx	±0.20
X.x ^o	±3°

Title: Horizontal Tact Switch DIP Through hole terminals 7.3×6.1×Hmm			
Molde Code: GT-TC100X-HXXX-LX			
DRAWN	CHECKED	APPROVED	DATE
Xia	Chen	Chen	2023.02.01



REV: A0	SHEET: 1/1
---------	------------