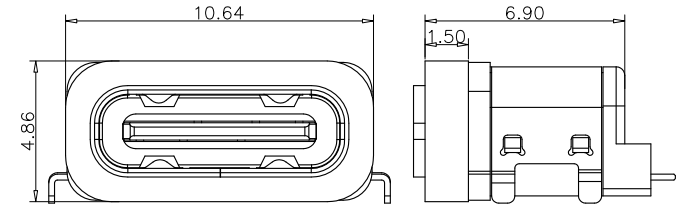
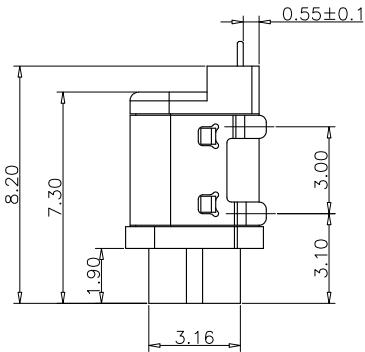
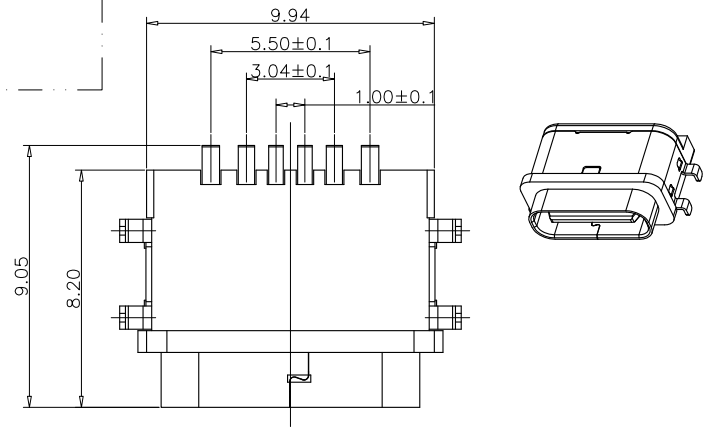


RECOMMEND P.C.B LAYOUT (COMPONENT SIDE)
TOLERANCE FOR PCB LAYOUT IS ±0.05



加防水圈示意图



NOTES:

SPECIFICATION:

- 1.CURRENT RATING: 3.0A MAX
- 2.VOLTAGE: 100 VAC
- 3.TEMPERATURE RANGE: -30°C~+85°C
- 4.CONTACT RESISTANCE: 40 MILLIONHM MAX
- 5.INSULATION RESISTANCE: 100 MEGOHMS MIN
- 6.INSERTION FORCE: 5N~20N
- 7.UNMATING FORCE: 8N~20N
- 8.DURABILITY: 10000 CYCLES
- 9.WATER PROOFNESS: THIS PRODUCT IS BASED ON IPX7.

端子 2A/2B
中隔板 3A
外壳 1B
屏蔽壳 1A

TABLE:

NO	PART	Q'TY	Material
1	SHELL	1	STAINLESS STEEL, NI PLATED
2	CONTACT	6	COPPER STEEL, TIN/AU/NI PLATED
3	MID PLATE	1	STAINLESS STEEL, NO PLATING
4	1MD HOUSING	1	HIGH TEMPERATURE RESISTANT PLASTIC BLACK UL94 V-0
5	2MD HOUSING	1	HIGH TEMPERATURE RESISTANT PLASTIC BLACK UL94 V-0
6	SHIELDING PLATE	1	STAINLESS STEEL, NI PLATED

PIN ASSIGNMENT:

PIN NO	A1&B12	A4&B9	A5	B5	A9&B4	A12&B1
SIGNAL NAME	GND	VBUS	CC1	CC2	VBUS	GND
PCB PAD NO.	C1	C2	C3	C4	C5	C6

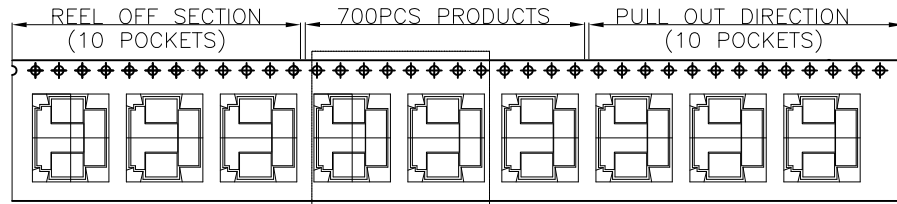

深圳市宇文发电子科技有限公司
 Shen Zhen Yu Wen Fa Electronics Technology Co., Ltd
 TEL: 0755-27711235 FAX: 0755-27712683

品名 (ITEM NO)	TYPE C 新结构6P 沉板防水新结构母座 (外壳4脚, 塑胶两侧有缺口)
料号 (PART NO)	PTCFW-H22B-016
图号 (DWG NO)	P-TCF-088

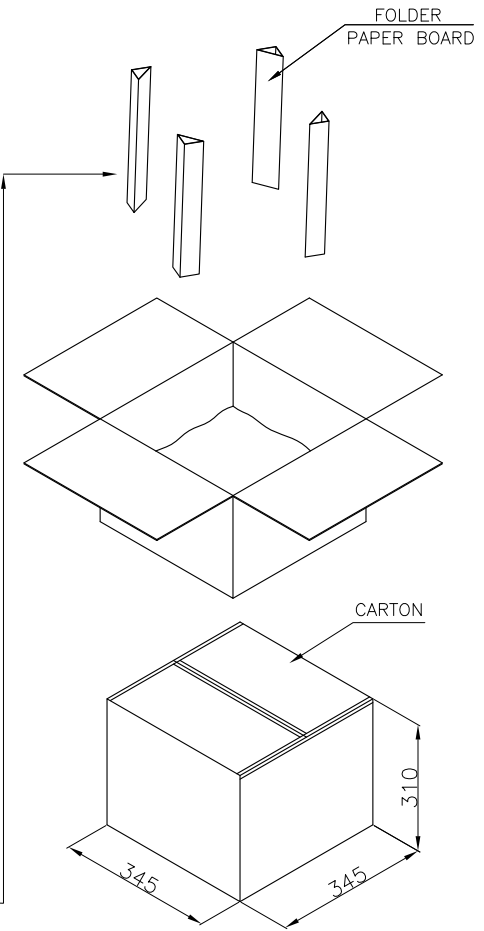
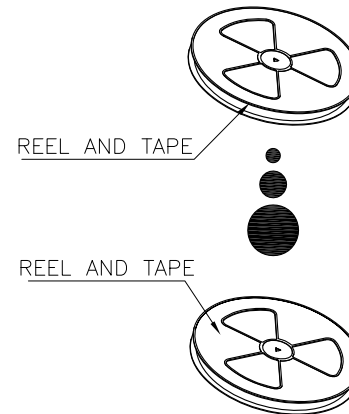
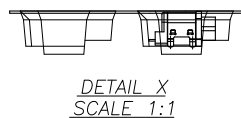
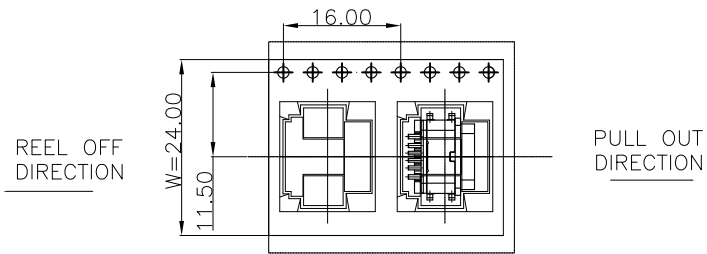
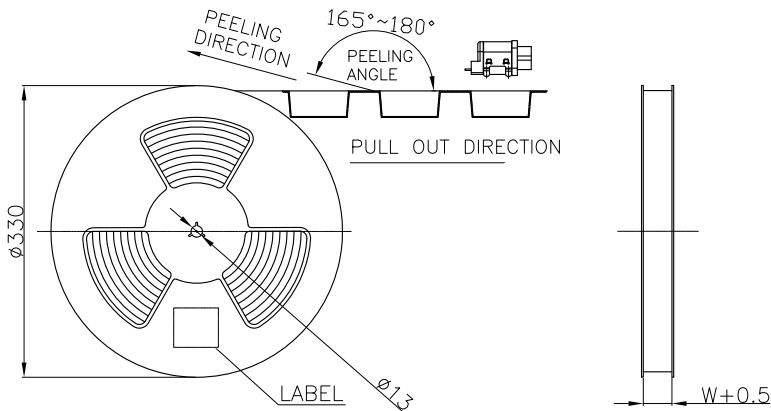
页码 (SHEET)	1/1	单位 (UNIT):	MM
版本 (REV)	A1	比例 (SCALE):	1:1
日期 (DATE)	2022.06.13	 未注公差 TOLERANCE UNSPECIFIED X.X ±0.30 X.XX ±0.20 X.XXX ±0.10 X° ±5° X.X° ±2°	
设计 (DESIGN)	YUXIANG		
审核 (CHECKED)			
核准 (APPROVED)			

RoHS Compliant

REV.	ECN NO	DESCRIPTION	REVISER	DATE
A/0				
A/1				



SEE DETAIL X



	REEL	CARTON
CONNECTOR (PCS)	700	7000

图号 (DWG NO)	单位 (UNIT): MM	深圳市宇文发电子科技有限公司 Shen Zhen Yu Wen Fa Electronics Technology Co.,Ltd TEL:0755-27711235 FAX:0755-27712683		
日期 (DATE)	2022. 03. 24			
版次 (REV): A/0	页/次(PAGE): 1/1	包装规范	品名 (ITEM NO)	TYPE C 母座 6P沉板防水 包装图
设计 (DESIGN)	ZHUANG		料号 (PART NO)	A-004R-074
审核 (CHECKED)				
核准 (APPROVED)				