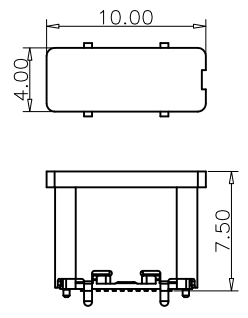
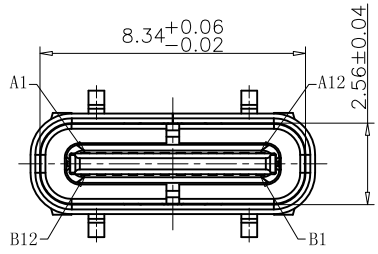
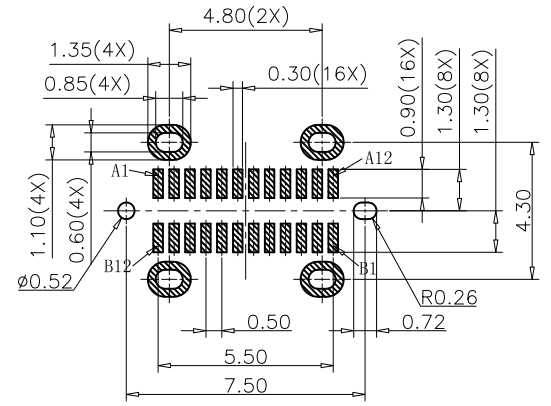


REV. (版本号)	DESCRIPTION (变更说明)	DATE (日期)	APPD (核准)
A0	新订图面	2020.08.03	Lee



WITH PICK UP COVER
SCALE 2:1

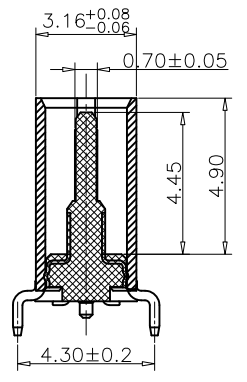
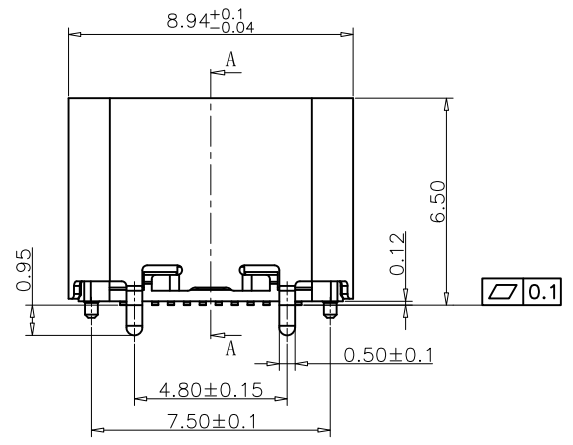


RECOMMEND P.C.B LAYOUT (COMPONENT SIDE)
TOLERANCE FOR PCB LAYOUT IS ±0.05

NOTES:
SPECIFICATION:
1.CURRENT RATING: 5.0 A
2.VOLTAGE RATING: 5.0 V
3.VBUS & GND PINS AND OTHER PINS: 40mΩ/PIN MAX
SHIELD: 50mΩ/MAX
LLCR MAX. CHANGE OF ALL PINS: 10Ωm
4.INSULATION RESISTANCE: 100MΩ MIN
5.DIELECTRIC WITHSTAND VOLTAGE,AC 100V FOR 1MINUTE
6.INSERTION FORCE: 0.5~2.0kgf
7.UNMATING FORCE: 0.8~2.0kgf
8.DURABILITY: 10000 CYCLES
9.OPERATING TEMPERATURE: -25°C~+85°C
10.THE PEAK TEMPERATURE ON THE BOARD SHALL BE MAINTAINED FOR 10 SECONDS AT 260°C

USB TYPE C PIN ASSIGNMENTS

PIN NUMBER	SIGNAL NAME	PIN NUMBER	SIGNAL NAME
A1	GND	B12	GND
A2	TX1+	B11	RX1+
A3	TX1-	B10	RX1-
A4	VBUS	B9	VBUS
A5	CC1	B8	SBU2
A6	DP1	B7	DN2
A7	DN1	B6	DP2
A8	SBU1	B5	CC2
A9	VBUS	B4	VBUS
A10	RX2-	B3	TX2-
A11	RX2+	B2	TX2+
A12	GND	B1	GND



SECTION A-A
SCALE 1:1

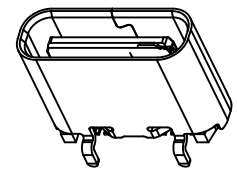
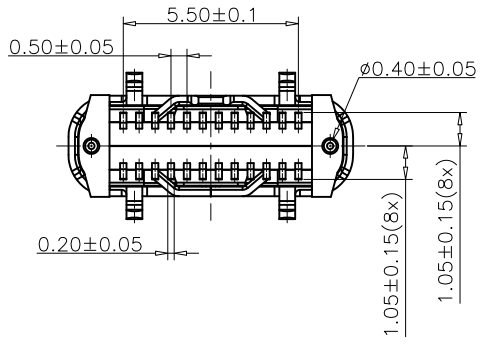
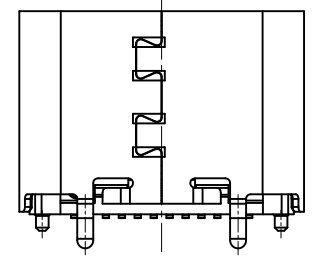


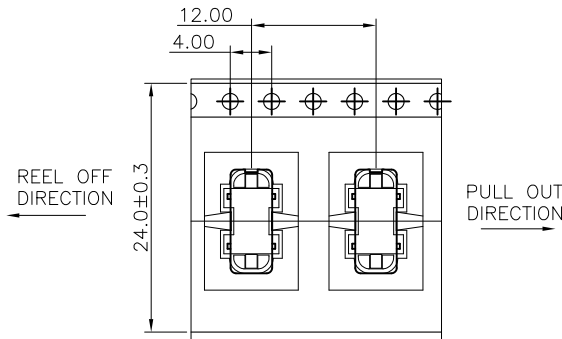
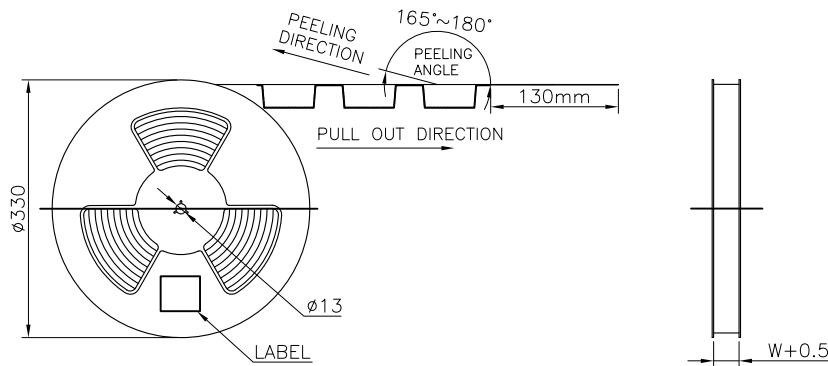
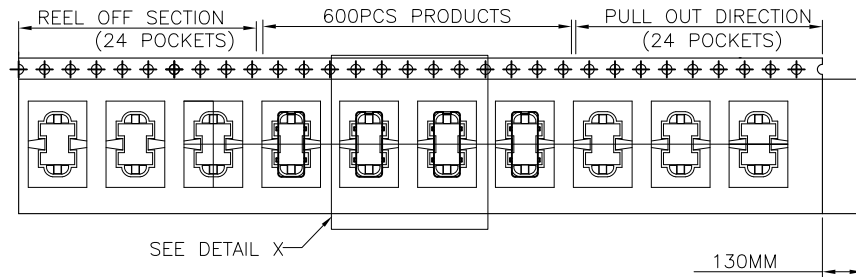
TABLE:

NO	PART	Q'TY	Material
1	SHELL	1	STAINLESS STEEL,NI PLATED
2	CONTACT	24	COPPER ALLOY,/Au/NI PLATED
3	MID PLATE	1	STAINLESS STEEL,NO PLATING
4	EMI	1	STAINLESS STEEL,NI PLATED
5	HOUSING	1	HIGH TEMPERATURE RESISTANT PLASTIC BLACK UL94 V-0

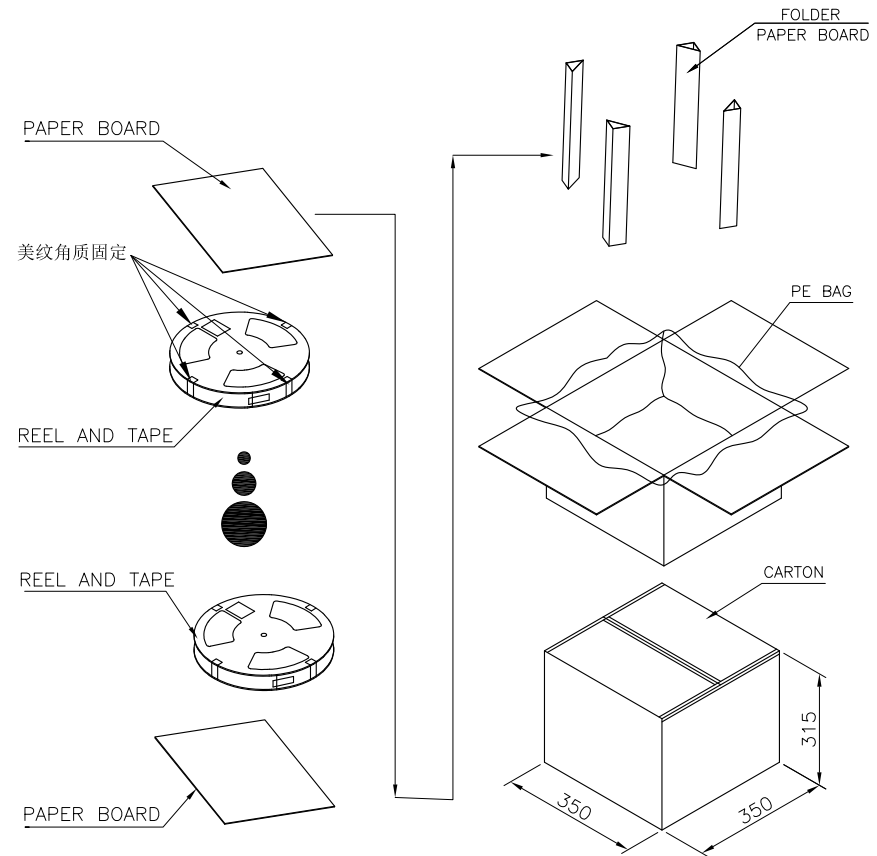
深圳市宇文发电子科技有限公司 Shen Zhen Yu Wen Fa Electronics Technology Co.,Ltd TEL:0755-27711235 FAX:0755-27712683	页码 (SHEET)	1/1	单位(UNIT): MM
	版本 (REV)	A0	比例(SCALE) 1:1
	日期 (DATE)	2020.08.03	
	设计 (DESIGN)	Lee	未注公差 TOLERANCE UNSPECIFIED
	图号 (DWG NO)	P-TCF-023	X.X ±0.30 X.XX ±0.20 X.XXX ±0.10 X° ±5° X.X° ±2°
品名 (ITEM NO)	TYPE C 24P立式母座6.5	审核 (CHECKED)	
料号 (PART NO)	PTCFW-R12E-002	核准 (APPROVED)	

RoHS Compliant

REV.	ECN NO	DESCRIPTION	REVISER	DATE
A/0				
A/1				



- 包材规格:
蓝色卷盘: $\phi 330 * W 24 \text{mm}$
卷带: (648PCS空格/卷).
三角纸板/平卡: $290 * 290 * 5 \text{mm}$, $330 * 330 * 5 \text{mm}$, $K=K$
自粘上带: $W=20.7 \text{mm}$, $T=0.08 \text{mm}$
PE袋: $T0.07 * W65 * H165 \text{CM}$
外箱: $35 * 35 * 31.5 \text{cm}$
- 将产品依上图所示装入载带中, 前留24PCS空格. 后留24个空格, 再将自粘上带与载带粘好, 注意不可封孔, 上带需比载带长至少130mm, 然后用80-150mm美纹胶固定; 600pcs/卷盘, 每卷盘都需贴卷盘物料标签.
- 将10个卷盘放入1个大PE防水袋, 装入外箱时需装入护角纸板.
- 每个外箱装10卷盘, 共计6Kpcs/箱.
- 将装好产品外箱用透明胶带封成“工”形, 并在外箱左上角贴HF标签, 物料标识区分用的“外箱标签”.



	REEL	CARTON
CONNECTOR (PCS)	600	6000

图号 (DWG NO)	单位 (UNIT): MM
日期 (DATE)	2021. 11. 15
版次 (REV): A/0	比例 (SCALE) 1:1
设计 (DESIGN)	ZHUANG
审核 (CHECKED)	
核准 (APPROVED)	


深圳市宇文发电子科技有限公司
 Shen Zhen Yu Wen Fa Electronics Technology Co., Ltd
 TEL: 0755-27711235 FAX: 0755-27712683

包装规范

品名 (ITEM NO)	USB TYPE C 立贴 L=6.5 包装图
料号 (PART NO)	A-004R-086