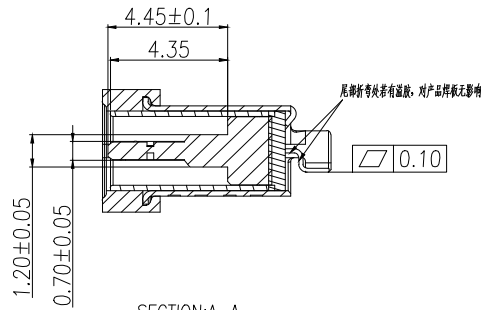
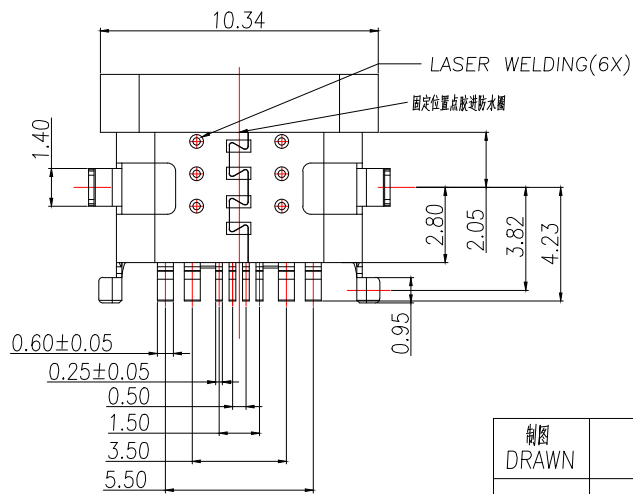
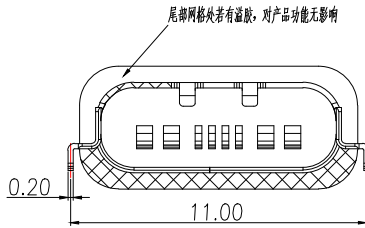
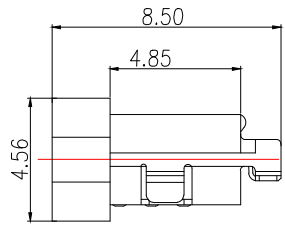
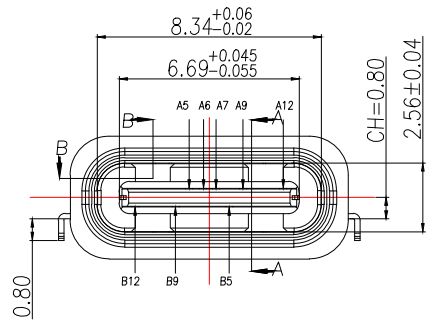
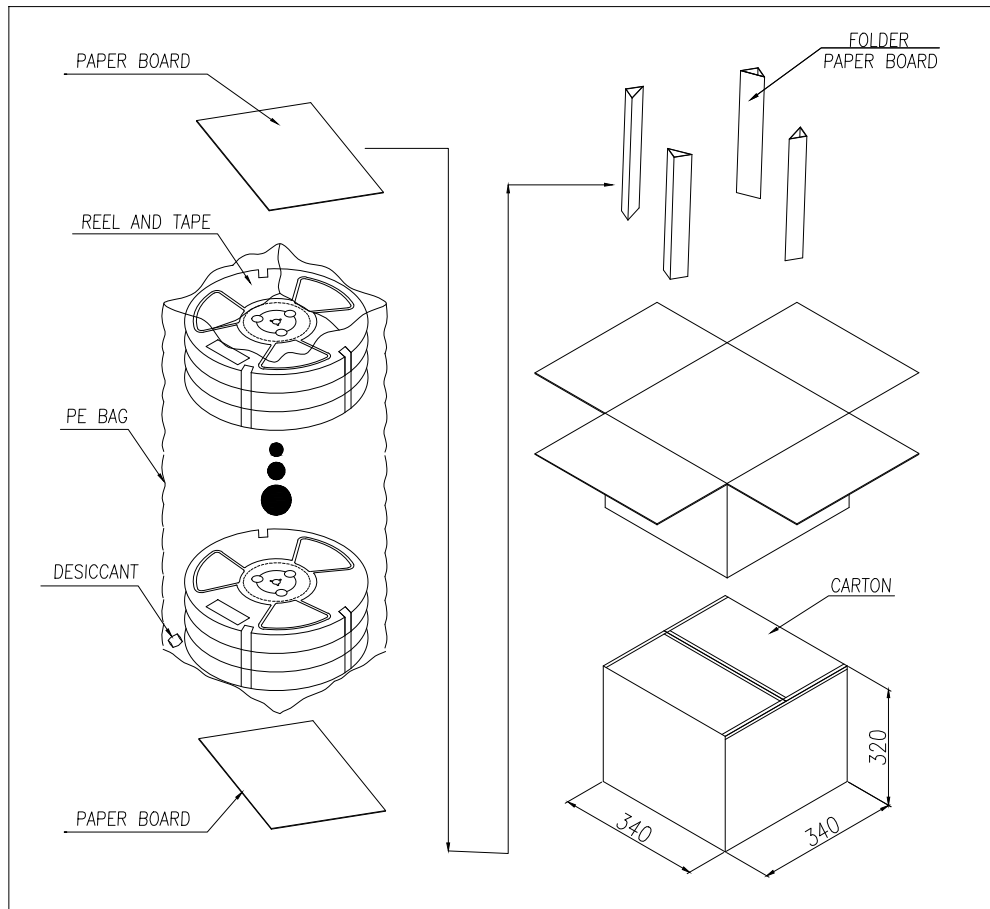
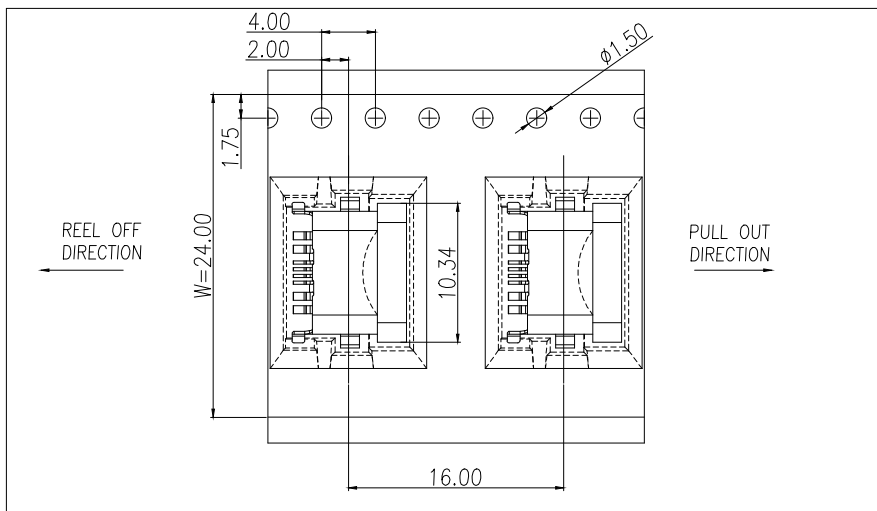
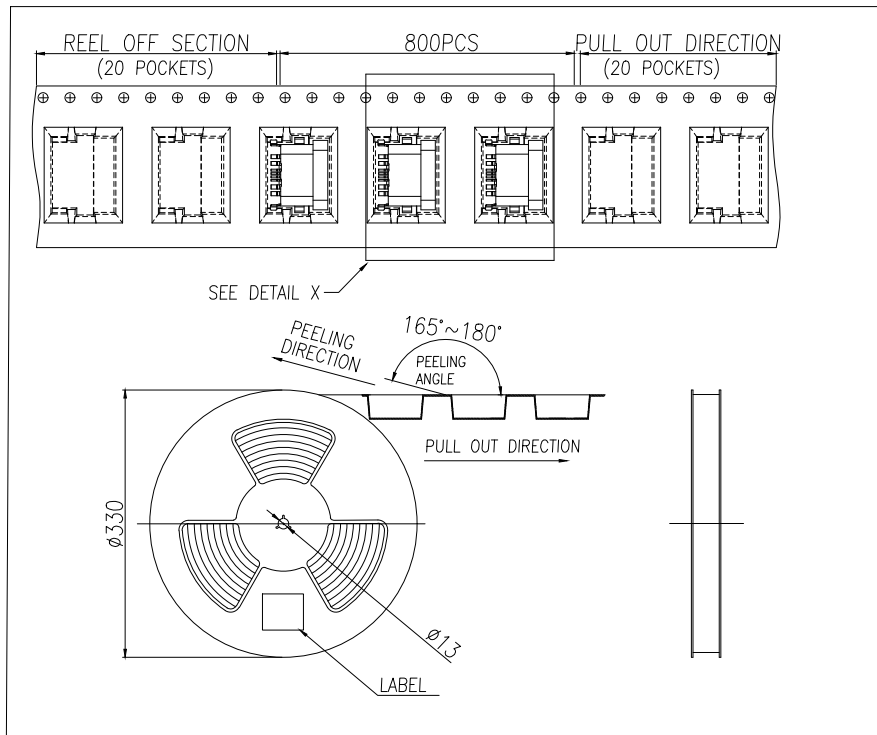


- NOTE:
- MATERIAL SPECIFICATION:
    - HOUSING: HIGH TEMPERATURE RESISTANT PLASTIC, UL94 V-0.
    - TERMINAL: COPPER ALLOY
    - MID PLATE: STAINLESS STEEL
    - INNER SHELL: STAINLESS STEEL
    - OUT SHELL: STAINLESS STEEL
    - GLUE: EPOXY
    - O-RING: GLUE
  - PLATING SPECIFICATION:
    - TERMINAL:
      - PLATING NICKEL 50u" MIN. OVER ALL.
      - Au G/F PLATED ON CONTACT AREA.
      - SN PLATED ON SOLDERING AREA.
    - OUT SHELL:
      - PLATING NICKEL 50u" MIN. OVER ALL.
    - INNER SHELL & MID PLATE:
      - CLEAR ONLY
  - MECHANICAL PERFORMANCE,
    - INSERTION FORCE: 0.5~2.0kgf.
    - REMOVAL FORCE: 0.8kgf~2.0kgf.
    - DURABILITY: 10000 CYCLES.
  - ELECTRICAL PERFORMANCE,
    - VOLTAGE RATING: 5 V DC/AC (RMS. max)  
CURRENT RATING: 3 AMPS. FOR TOTAL VBUS/GND PINS;  
1.25AMPS FOR CC PIN, 0.25 AMPS. FOR ALL OTHER CONTACT.
    - LLCR:
      - VBUS & GND PINS AND OTHER PINS: 40mA/PIN MAX.  
LLCR MAX. CHANGE OF ALL PINS: 10mA.
      - INSULATION RESISTANCE: 100MΩ MIN
      - DIELECTRIC WITHSTAND VOLTAGE, AC 100V FOR 1 MINUTE.
  - ENVIRONMENTAL PERFORMANCE:
    - OPERATING TEMPERATURE: -40°C~+85°C.
  - IR REFLOW:
    - THE PEAK TEMPERATURE ON THE BOARD SHALL BE MAINTAINED FOR 10 SECONDS AT 260°C.
  - WATERPROOF: IPX5



| 制图<br>DRAWN | 变更内容<br>DESCRIPTION | 日期<br>DATE | GENERAL TOLERANCE |         | 制图<br>DRAWING  | EMMA |             | 料号<br>PART NO.   | BX-TYPEC-CBM16-X5                         | 版本<br>REV.  | A   |
|-------------|---------------------|------------|-------------------|---------|----------------|------|-------------|------------------|---|-------------|-----|
|             |                     |            | .X±0.30           | X'±10°  | 审核<br>CHECK    | EVA  |             | 品名<br>TITLE      | USB TYPE C 8pos CH=0.80 R/A<br>WATERPROOF | 页次<br>SHEET | 1/1 |
|             |                     |            | .XX±0.20          | .X'±8°  | 核准<br>APPROVAL | JADE |             | 客户料号<br>CUTM.NO. |   |             |     |
|             |                     |            | .XXX±0.10         | .XX'±5° | 单位<br>UNITS    | MM   | 比例<br>SCALE | 1:1              | Bossie (博锡)                               |             |     |





|                 |      |        |
|-----------------|------|--------|
|                 | REEL | CARTON |
| CONNECTOR (PCS) | 800  | 8000   |

|             |                     |            |                   |          |               |      |                  |   |             |     |
|-------------|---------------------|------------|-------------------|----------|---------------|------|------------------|---|-------------|-----|
| 制图<br>DRAWN | 变更内容<br>DESCRIPTION | 日期<br>DATE | GENERAL TOLERANCE |          | 制图<br>DRAWING | EMMA | 料号<br>PART NO.   | BX-TYPEC-CBM16-X5                         | 版本<br>REV.  | A   |
|             |                     |            | .X±0.30           | X.*±10°  |               |      | 品名<br>TITLE      | USB TYPE C 8pos CH=0.80 R/A<br>WATERPROOF | 页次<br>SHEET | 1/1 |
|             |                     |            | .XX±0.20          | .X.*±8°  |               |      | 客户料号<br>CUTM.NO. |   |             |     |
|             |                     |            | .XXX±0.10         | .XX.*±5° |               |      | 核准<br>APPROVAL   | JADE                                      |             |     |
|             |                     |            | 单位<br>UNITS       | MM       | 比例<br>SCALE   | 1:1  |                  |   |             |     |