

1. Description

The UMW SDD32C05L01 is designed to protect low voltage sensitive components from ESD and transient voltage events. Excellent clamping capability, low leakage, and fast response time, make these parts ideal for ESD protection on designs where board space is at a premium.

3. Features

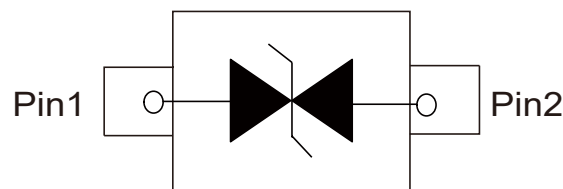
- IEC61000-4-2 ESD 15KV Air, 8KV contact compliance
- SOD-323 surface mount package
- Protects bi-directional line
- Working voltage: 5V
- Low leakage current
- Low clamping voltage

2. Applications

- Cellular handsets & Accessories
- Cordless phones
- Personal digital assistants (PDAs)
- Notebooks & Handhelds
- Portable instrumentation
- Digital cameras
- Peripherals
- MP3 players

- Solid-state silicon avalanche technology
- Lead Free/RoHS compliant
- Solder reflow temperature: Pure Tin-Sn 260~270°C
- Flammability rating UL 94V-0
- Meets MSL level 1, per J-STD-020
Marking: 2B

4. Pinning information



SOD-323



5. Absolute Maximum Ratings

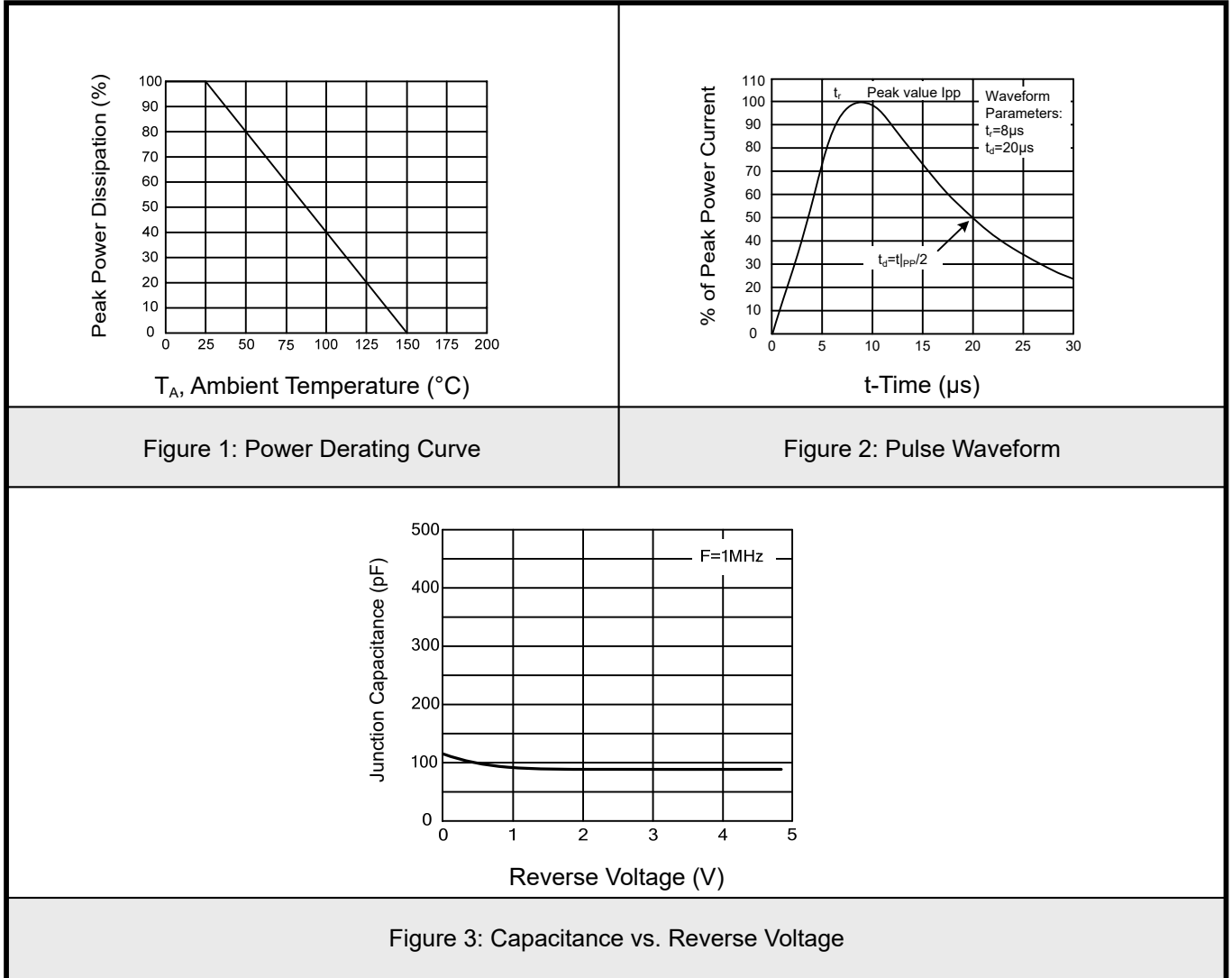
Parameter	Symbol	Value	Units
Peak pulse power (tp=8/20us waveform)	I_{PP}	20	A
ESD voltage (Contact discharge)	V_{ESD}	±8	kV
ESD voltage (Air discharge)		±15	kV
Storage & Junction temperature range	T_{STG}, T_J	-55 to +150	°C

6. Electrical Characteristic

Parameter	Symbol	Conditions	Min	Typ	Max	Units
Reverse stand-off voltage	V_{RWM}				5	V
Reverse breakdown voltage	V_{BR}	$I_{BR}=1mA$	6			V
Reverse leakage current	I_R	$V_R=5V$			5	μA
Clamping voltage (tp=8/20μs)	V_C	$I_{PP}=1A$			9.8	V
Clamping voltage (tp=8/20μs)	V_C	$I_{PP}=10A$		15		V
Off state junction capacitance	C_J	0Vdc, f=1MHz		100		pF

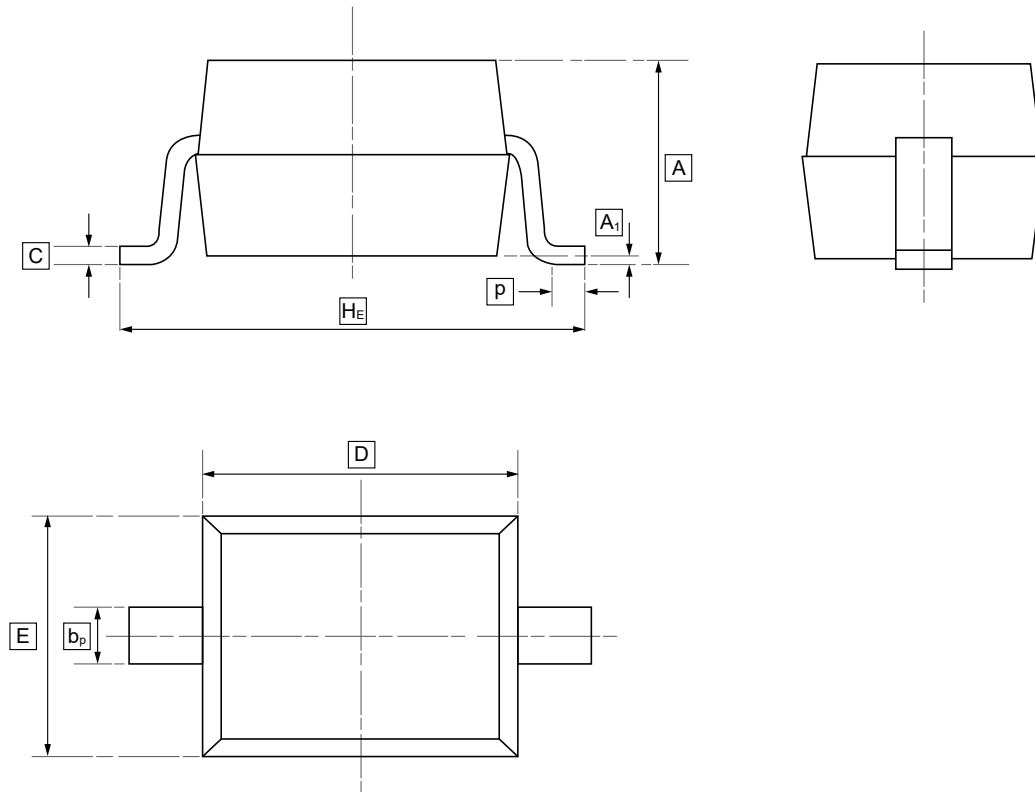


7. Typical characteristic





8.SOD-323 Package Outline Dimensions

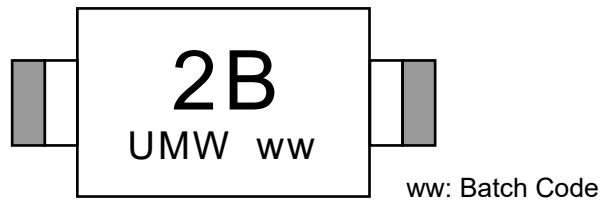


DIMENSIONS (mm are the original dimensions)

Symbol	A	b _p	C	D	E	H _E	A ₁	P
Min	0.90	0.25	0.10	1.60	1.15	2.30	0.01	0.20
Max	1.20	0.40	0.15	1.80	1.35	2.80	0.10	0.50



9. Ordering information



Order Code	Package	Base QTY	Delivery Mode
UMW SDD32C05L01	SOD-323	3000	Tape and reel



10.Disclaimer

UMW reserves the right to make changes to all products, specifications. Customers should obtain the latest version of product documentation and verify the completeness and currency of the information before placing an order.

When applying our products, please do not exceed the maximum rated values, as this may affect the reliability of the entire system. Under certain conditions, any semiconductor product may experience faults or failures. Buyers are responsible for adhering to safety standards and implementing safety measures during system design, prototyping, and manufacturing when using our products to prevent potential failure risks that could lead to personal injury or property damage.

Unless explicitly stated in writing, UMW products are not intended for use in medical, life-saving, or life-sustaining applications, nor for any other applications where product failure could result in personal injury or death. If customers use or sell the product for such applications without explicit authorization, they assume all associated risks.

When reselling, applying, or exporting, please comply with export control laws and regulations of China, the United States, the United Kingdom, the European Union, and other relevant countries, regions, and international organizations.

This document and any actions by UMW do not grant any intellectual property rights, whether express or implied, by estoppel or otherwise. The product names and marks mentioned herein may be trademarks of their respective owners.