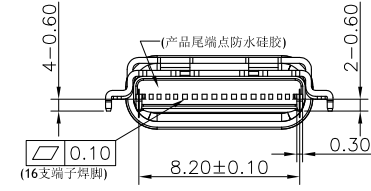
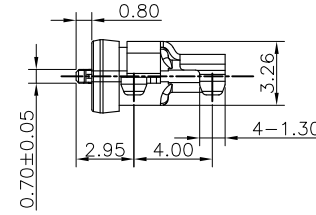
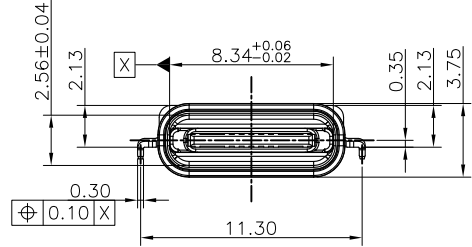
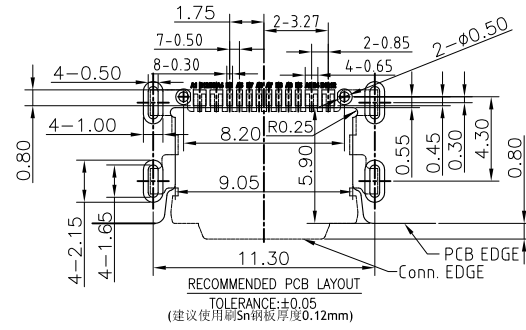
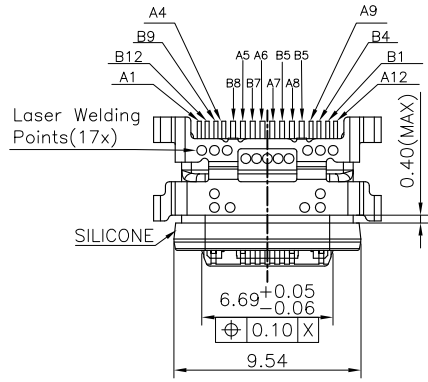
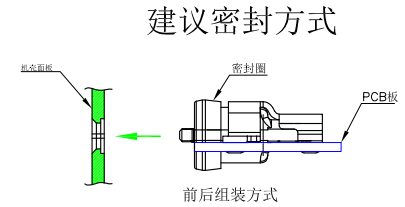
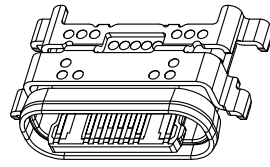
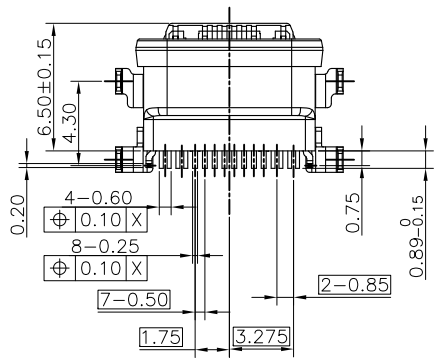


REV. (版本号)	DESCRIPTION (变更说明)	DATE (日期)	APPD (核准)
A0	新订图面	2022. 10. 30	Yuxiang




NOTES:

- MATERIAL SPECIFICATION:
  - HOUSING: High-Temp Plastics, UL94V-0, Color: Black.
  - CONTACTS: Copper Alloy T=0.25mm.
  - OUTER SHELL: Stainless Steel, T=0.30mm.
  - INNER SHELL: Stainless Steel, T=0.20mm.
  - MID-PLATE: Stainless Steel, T=0.20mm.
  - SOLDER-PLATE: Stainless Steel, T=0.10mm.
- PLATING SPECIFICATION:
  - CONTACTS:
    - UNDERPLATED OVER ALL; Gold Plated On Contact Area; Gold Flash Plated On Solder Area.
  - SHELL:
    - UNDERPLATED OVER ALL; Gold Flash Plated ON Solder Leg.
- RoHS AND HF COMPLIANT.
- MECHANICAL PERFORMANCE:
  - MATING FORCE: 6~20N (Initial); 5~20N (After)
  - UNMATING FORCE: 8~20N (Initial); 6~20N (After)
  - DURABILITY: 10000 CYCLES.
- ELECTRICAL PERFORMANCE:
  - CURRENT RATING: 3A; VOLTAGE RATING: 5.0V
  - ILCR:
    - VBUS & GND PINS: 40mA/PIN MAX.; OTHERS PINS: 40mA/PIN MAX.; LLCR MAX. CHANGE OF ALL PINS: 10mΩ.
  - INSULATION RESISTANCE: 100MΩ MIN.
  - DIELECTRIC WITHSTANDING VOLTAGE: 100V AC FOR 1 MINUTE.
- ENVIRONMENTAL PERFORMANCE:
  - OPERATING TEMPERATURE: -20°C~+85°C.
- RECOMMENDED PROCESS:
  - THE PEAK TEMPERATURE ON THE BOARD SHALL MAINTAIN 10±1 SECONDS AT 260±5°C.



ITEM	NAME	QTY	MATERIAL	FINISH
H	LIM	1	SILICONE	UL94V-0, BLACK
G	GLUE	1	SILICONE	UL94V-0
F	OUTER SHELL	1	Stainless Steel, T=0.30	OVER ALL: 50u" Min Ni UNDERPLA SOLDER TAIL: G/F Au PLATED
E	INNER SHELL	1	Stainless Steel, T=0.20	CLEAN
D	SOLDER-PLATE	1	Stainless Steel, T=0.10	CLEAN
C	HOUSING	1	High-Temp Plastics	UL94V-0, Color: Black.
B	MID-PLATE	1	Stainless Steel, T=0.20	OVER ALL: 50u" Min Ni PLA
A	CONTACTS	16	Copper Alloy T=0.15mm	CONTACT AREA: 1*30u" Au SOLDER TAIL: G/F Au OVER ALL: 50u" Ni UNDER

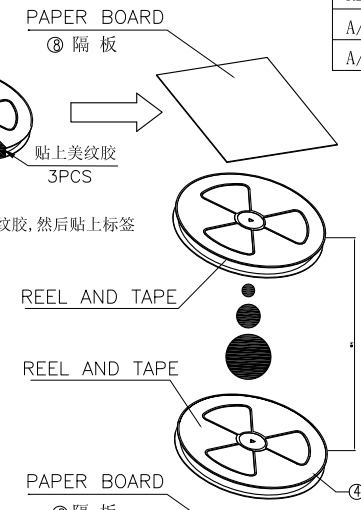
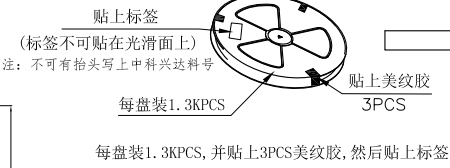
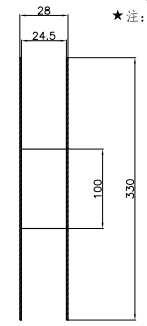
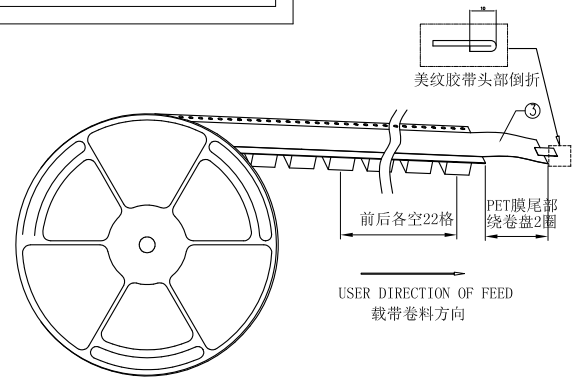

**深圳市宇文发电子科技有限公司**  
 Shen Zhen Yu Wen Fa Electronics Technology Co., Ltd  
 TEL: 0755-27711235 FAX: 0755-27712683

**品名 (ITEM NO)** USB Type-C母16pin沉板防水型 (外露0.80)  
**料号 (PART NO)** PTCFW-H22A-086  
**图号 (DWG NO)**

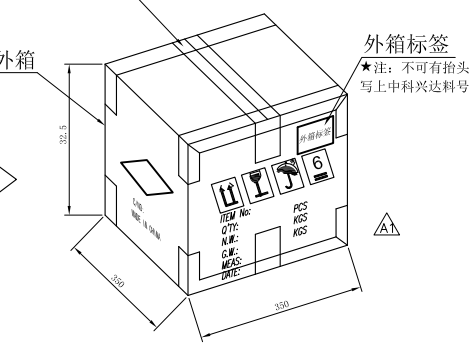
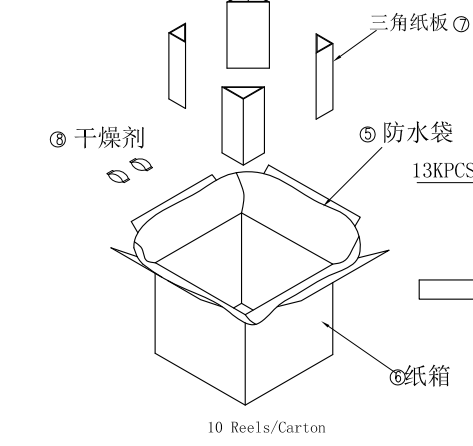
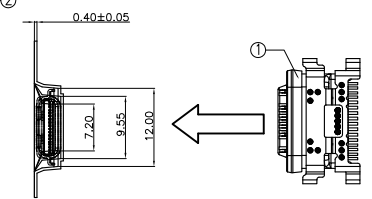
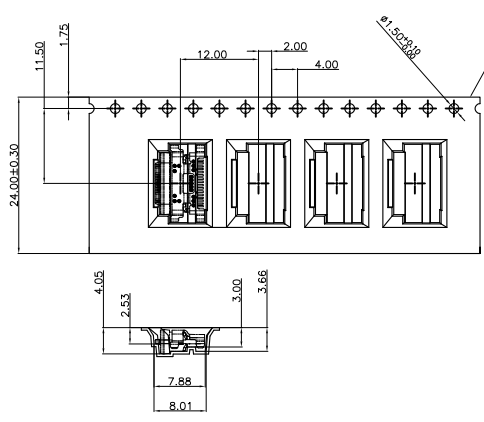
页码 (SHEET)	1/1	单位 (UNIT):	MM
版本 (REV)	A0	比例 (SCALE)	1:1
日期 (DATE)	2022. 10. 30		
设计 (DESIGN)	Yuxiang	未注公差 TOLERANCE UNSPECIFIED	
审核 (CHECKED)		X. X	±0.30
		X. XX	±0.20
		X. XXX	±0.10
		X°	±5°
核准 (APPROVED)		X. X°	±2°

RoHS Compliant

REV.	ECN NO	DESCRIPTION	REVISER	DATE
A/1		根据实物更改包装规格	Peng jingjing	2025.11.15
A/2				



Notes:  
 1.Quantity/Reel:1300pcs/Reel  
 数量/卷:1300pcs/卷  
 Quantity/OuterCarton:1300 \*10=13000 pcs  
 数量/外箱:1300 \*10=13000 pcs  
 2.Weight:  
 N.W:6.1Kg G.W:10.9±0.5Kg  
 净重:6.1Kg 毛重:10.9±0.5Kg  
 3.Free 22 pcs Products In the Front Carrier And Free 22 pcs Products In the End Carrier.  
 载带前后各空22格.



③	干燥剂	2	-----	-----
③	隔板	2	K=K	32*32cm
⑦	三角纸板	4	K=K	高30cm
⑥	Outer Carton	1	K=K	35*35*32.5cm
⑤	PE Beg	1	PE	(400+250)x800x0.06mm
④	Paper Reel	10	White paper Plate	∅330mm
③	Cover Tape	18.202m	PET	t=0.06mm,W=21.3mm
②	Carrier Tape	16.128m	Transparent PET	t=0.40mm
①	Product	1300		
NO.	PART NAME	QTY	MATERIAL	REMARKS

图号 (DWG NO)		单位 (UNIT): MM
日期 (DATE)	2022.03.24	比例 (SCALE) 1:1
版次 (REV): A/1	页/次(PAGE): 1/1	
设计 (DESIGN)	ZHUANG	包装规范
审核 (CHECKED)		
核准 (APPROVED)		

 深圳市宇文发电子科技有限公司 Shen Zhen Yu Wen Fa Electronics Technology Co., Ltd TEL:0755-27711235 FAX:0755-27712683		品名 (ITEM NO)	TYPE C 母座 16Pin沉板防水 包装图
		料号 (PART NO)	A-004R-130