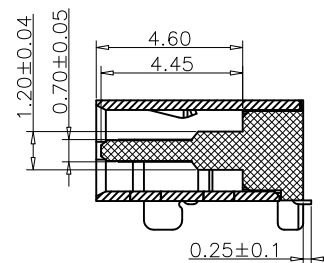
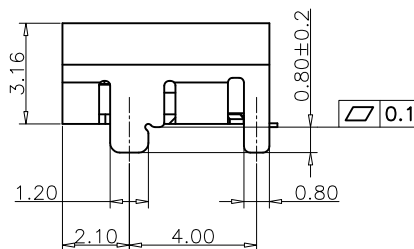
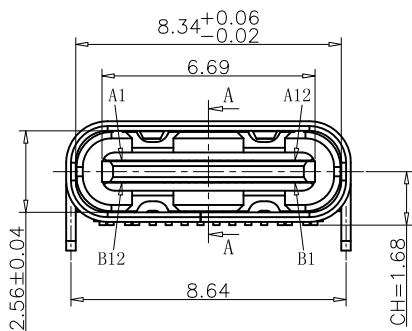
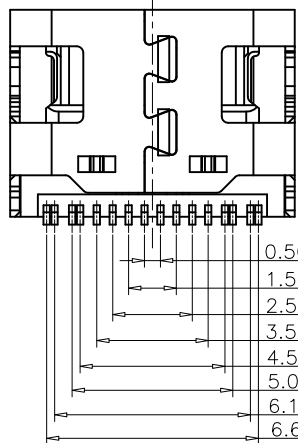


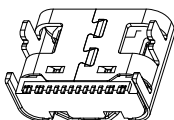
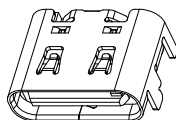
RECOMMEND P.C.B LAYOUT (COMPONENT SIDE)
TOLERANCE FOR PCB LAYOUT IS ± 0.05



SECTION A-A
SCALE 1:1



端子 2A
中隔片 1A
外壳 8A-1



REV. (版本号)	DESCRIPTION (变更说明)	DATE (日期)	APPD (核准)
A0	新订图面	2021.04.22	ZHUANG

- NOTES:
SPECIFICATION:
1.CURRENT RATING: 5.0 A
2.VOLTAGE RATING: 5.0 V
3.VBUS & GND PINS AND OTHER PINS: 40mΩ/PIN MAX
SHIELD: 50mΩ/MAX
LLCR MAX. CHANGE OF ALL PINS: 10Ωm
4.INSULATION RESISTANCE: 100MΩ MIN
5.DIELECTRIC WITHSTAND VOLTAGE, AC 100V FOR 1MINUTE
6.INSERTION FORCE: 0.5-2.0kgf
7.UNMATING FORCE: 0.8-2.0kgf
8.DURABILITY: 10000 CYCLES
9.OPERATING TEMPERATURE: -25°C~+85°C
10.THE PEAK TEMPERATURE ON THE BOARD SHALL BE MAINTAINED FOR 10 SECONDS AT 260°C

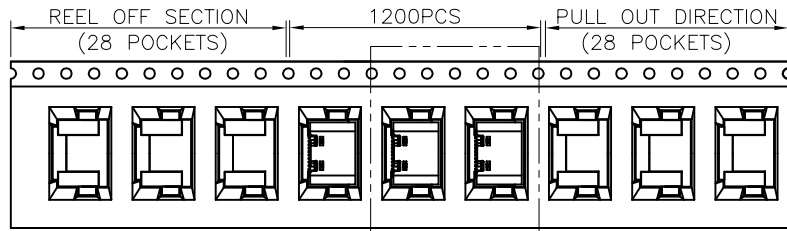
USB TYPE C PIN ASSIGNMENTS

PIN NUMBER	SIGNAL NAME	PIN NUMBER	SIGNAL NAME
A1	GND	B12	GND
A4	VBUS	B9	VBUS
A5	CC1	B8	SUB2
A6	Dp1	B7	Dn2
A7	Dn1	B6	Dp2
A8	SBU1	B5	CC2
A9	VBUS	B4	VBUS
A12	GND	B1	GND

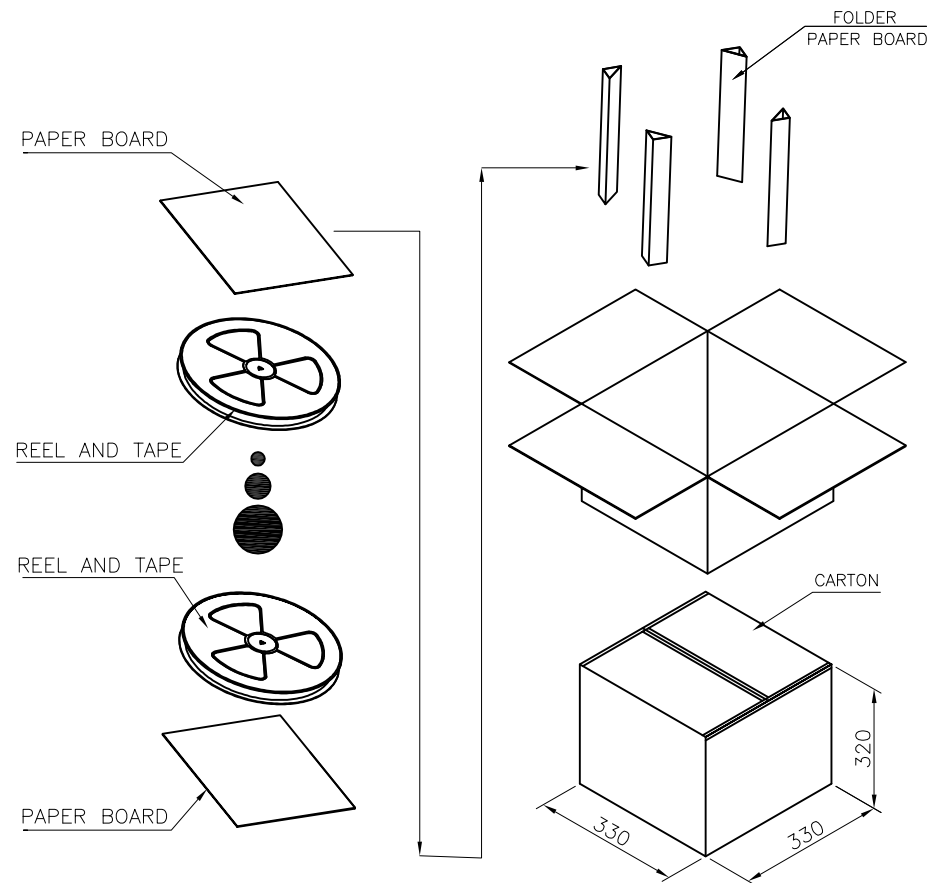
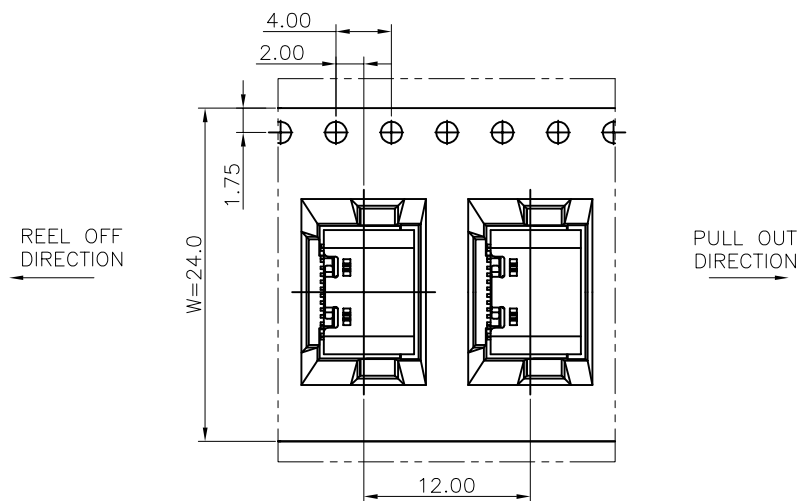
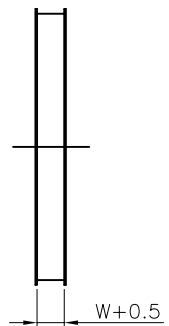
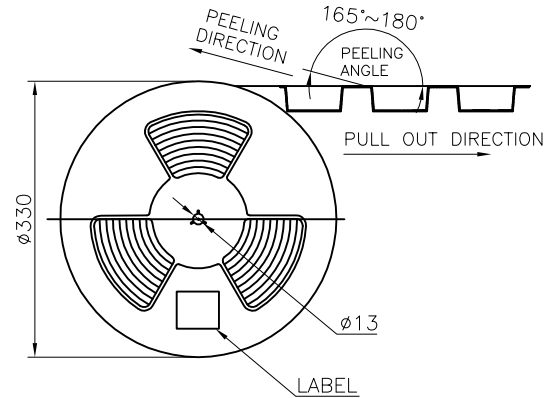
 深圳市宇文发电子科技有限公司 Shen Zhen Yu Wen Fa Electronics Technology Co., Ltd TEL: 0755-27711235 FAX: 0755-27712683	页码 (SHEET)	1/1	单位 (UNIT): MM
	版本 (REV)	A0	比例 (SCALE) 1:1
	日期 (DATE)	2021.04.22	
	设计 (DESIGN)	ZHUANG	未注公差 TOLERANCE UNSPECIFIED
	图号 (DWG NO)		X.X ±0.30 X.XX ±0.15 X.XXX ±0.10 X° ±5° X.X° ±2°
品名 (ITEM NO)	TYPE C 母座 16P SMT L6.5(带弹片)		审核 (CHECKED)
料号 (PART NO)	PTCFW-H22A-036		核准 (APPROVED)

RoHS Compliant

REV.	ECN NO	DESCRIPTION	REVISER	DATE
A/0				
A/1				



SEE DETAIL X



	REEL	CARTON
CONNECTOR (PCS)	1200	12000

图号 (DWG NO)		单位 (UNIT): MM	深圳市宇文发电子科技有限公司 Shen Zhen Yu Wen Fa Electronics Technology Co.,Ltd TEL:0755-27711235 FAX:0755-27712683	
日期 (DATE)	2020. 10. 07	比例 (SCALE) 1:1		
版次 (REV): A/0	页/次(PAGE): 1/1			
设计 (DESIGN)	Lee	包装规范	品名 (ITEM NO)	TYPE C 16P母座SMT L=6.5 包装图
审核 (CHECKED)			料号 (PART NO)	A-004R-083
核准 (APPROVED)				